

HILTI

PR 2-HS

Operating instructions

en

Mode d'emploi

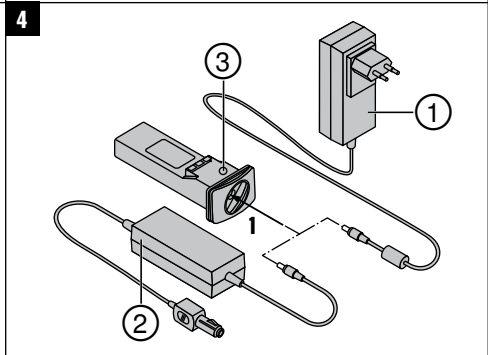
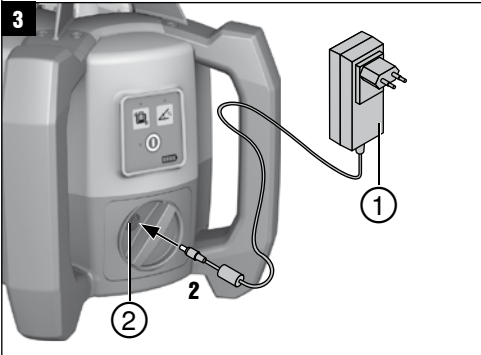
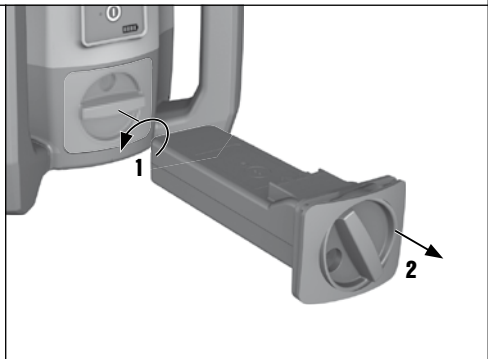
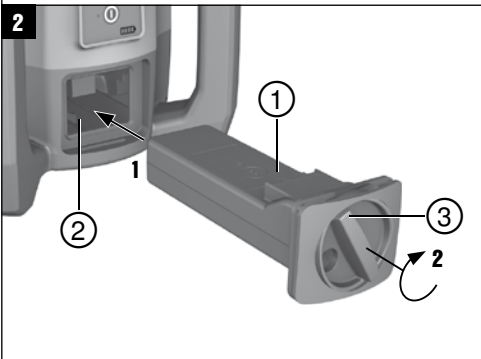
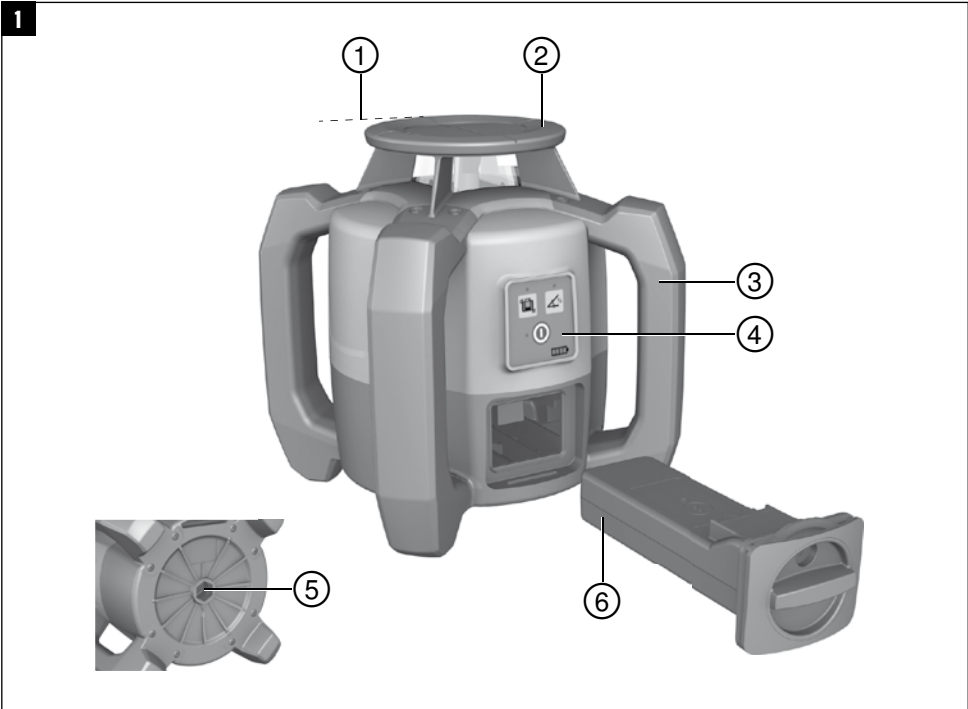
fr

Manual de instrucciones

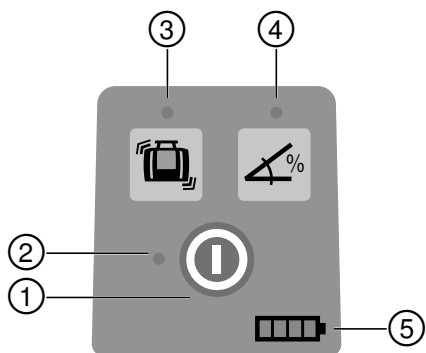
es

Manual de instruções

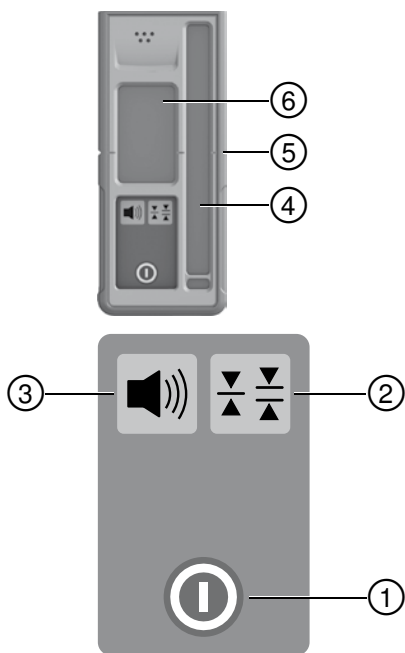
pt



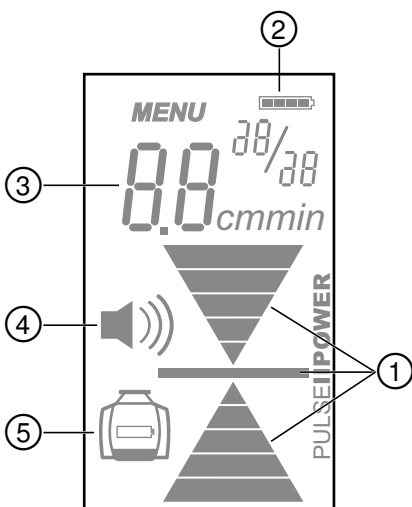
5



6



7

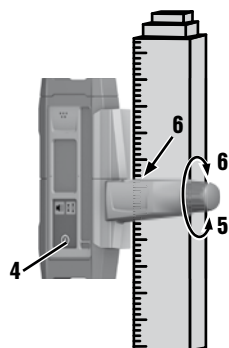
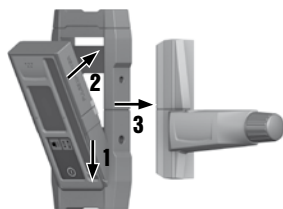


8

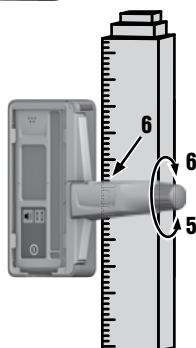
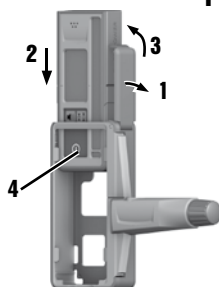


9

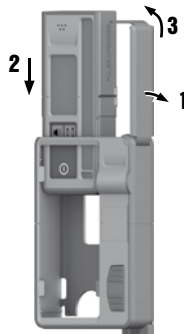
PRA 83



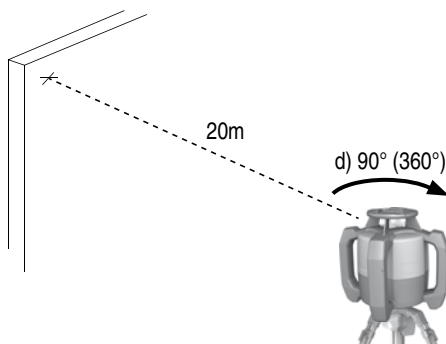
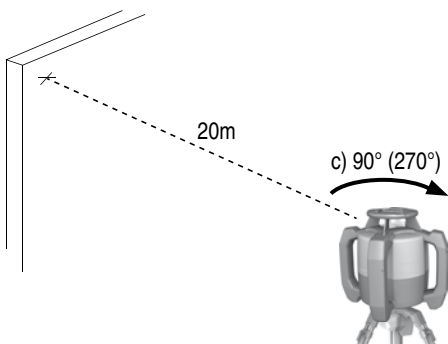
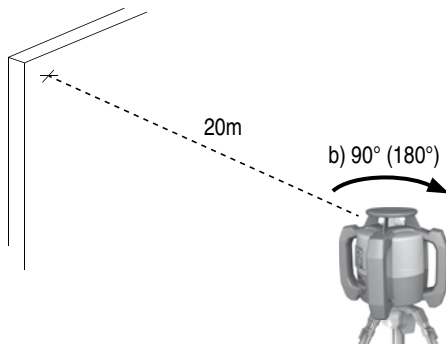
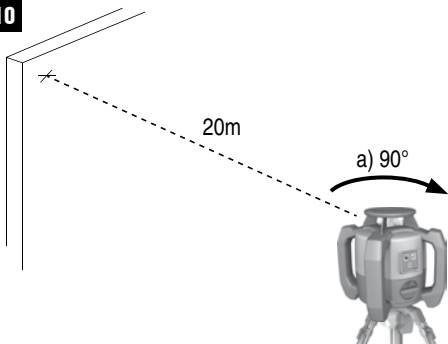
PRA 80



PRA 81



10



ORIGINAL OPERATING INSTRUCTIONS

PR-2-HS rotating laser

It is essential that the operating instructions are read before the tool is operated for the first time.

Always keep these operating instructions together with the tool.

Ensure that the operating instructions are with the tool when it is given to other persons.

Contents	Page
1 General information	2
2 Description	2
3 Accessories	4
4 Technical data	5
5 Safety instructions	6
6 Before use	8
7 Operation	10
8 Care and maintenance	11
9 Disposal	12
10 Manufacturer's warranty - tools	13
11 FCC statement (applicable in US) / IC statement (applicable in Canada)	13

I These numbers refer to the corresponding illustrations. The illustrations can be found on the fold-out cover pages. Keep these pages open while studying the operating instructions.

In these operating instructions, the designation "the tool" or "the rotating laser" always refers to the Hilti PR 2-HS rotating laser. "Laser receiver" or "receiver" always refers to the PRA 20 (02) laser receiver.

PR 2-HS rotating laser **1**

- 1 Laser beam (plane of rotation)
- 2 Rotating head
- 3 Grip
- 4 Control panel
- 5 Base plate with $\frac{5}{8}$ " thread
- 6 PRA 84 Li-ion battery

Inserting and removing the battery **2**

- 1 PRA 84 Li-ion battery
- 2 Battery compartment
- 3 Catch

Charging the battery in the tool **3**

- 1 PUA 81 AC adapter
- 2 Charging socket

Charging the battery after removal from the tool **4**

- 1 PUA 81 AC adapter
- 2 PUA 82 motor vehicle power adapter
- 3 Charging activity LED

Rotating laser control panel **5**

- 1 On/off button
- 2 Auto-leveling LED
- 3 Shock warning function deactivation button and LED
- 4 Manual inclined plane mode button and LED
- 5 Battery charge status LED

PRA 20 laser receiver control panel **6**

- 1 On/off button
- 2 Units button
- 3 Volume button
- 4 Receiving window
- 5 Marking notch
- 6 Display

PRA 20 laser receiver display **7**

- 1 Indicator showing the position of the receiver relative to the height of the laser plane
- 2 Battery status
- 3 Indication of distance from laser plane
- 4 Volume
- 5 Low battery indicator for the rotating laser

1 General information

1.1 Safety notices and their meaning

DANGER

Draws attention to imminent danger that will lead to serious bodily injury or fatality.

WARNING

Draws attention to a potentially dangerous situation that could lead to serious personal injury or fatality.

CAUTION

Draws attention to a potentially dangerous situation that could lead to slight personal injury or damage to the equipment or other property.

NOTE

Draws attention to an instruction or other useful information.

1.2 Explanation of the pictograms and other information

Symbols



Read the operating instructions before use.



General warning



Return waste material for recycling.



Do not look into the beam.



For indoor use only



Warning: caustic substances



Warning: electricity



Warning: explosive substances



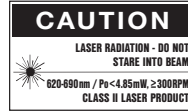
KCC-REM-
HLT-PR2HS

On the tool



Laser Class 2 in accordance with IEC/EN 60825-1:2007

On the tool



Laser Class II according to CFR 21, § 1040 (FDA)

Location of identification data on the tool

The type designation and serial number can be found on the type identification plate on the tool. Make a note of this data in your operating instructions and always refer to it when making an enquiry to your Hilti representative or service department.

Type:

Generation: 01

Serial no.:

2 Description

2.1 Use of the product as directed

The PR 2-HS is a rotating laser that projects a rotating, visible laser beam. The rotating laser can be used horizontally and for inclined planes.

The tool is designed to be used for determining, transferring and checking references in the horizontal and inclined planes. Examples of uses are the transferring of datum lines and heights. The tool is designed for professional use and may be operated, serviced and maintained only by trained, authorized personnel. This personnel must be informed of any special hazards that may be encountered.

The tool and its ancillary equipment may present hazards when used incorrectly by untrained personnel or when used not as directed.

Hilti supplies various accessories which allow the tool to be used with maximum efficiency.

To avoid the risk of injury, use only genuine Hilti accessories and insert tools.

Observe the information printed in the operating instructions concerning operation, care and maintenance.

Take the influences of the surrounding area into account. Do not use the appliance where there is a risk of fire or explosion.

Modification of the tool is not permissible.

2.2 Features

The tool makes it possible for a single person to level or align in any plane quickly and with great accuracy.

The tool levels itself automatically after switching on. The laser beam is switched on only when the specified accuracy has been achieved.

LEDs indicate the current operating status.

The tool is powered by a rechargeable Li-ion battery which can be charged while the tool is in operation.

2.3 Digital distance measurement display

The laser receiver displays digitally the distance between the laser plane and the marking notch on the laser receiver.

This allows the user to determine the exact position of the receiver relative to the laser plane, with millimeter accuracy, in a single operation.

2.4 Horizontal plane

After switching on, the tool levels itself automatically by way of two built-in servo motors.

2.5 Inclined plane (manual alignment in the desired plane of inclination)

The desired inclination can be set with the aid of the PRA 79 slope adapter. For further information on using the slope adapter, please refer to the instruction sheet supplied with the PRA 79.

2.6 Shock warning

The shock warning function is activated two minutes after the tool has leveled itself after switching on. If a button is pressed within these two minutes, the two-minute delay begins again. The tool switches to warning mode if it is brought out of level while in operation (due to vibration or an impact); all LEDs begin to blink and the laser switches off (the head stops rotating).

2.7 Automatic cut-out

The laser does not switch on and all LEDs blink if the tool is set up outside its self-leveling range ($\pm 5^\circ$) or if movement is blocked mechanically. The tool can be set up on a tripod with a 5/8" thread or stood directly on some other steady surface (free of vibration). When automatic leveling is activated for one or both axes, the built-in servo system ensures that the specified accuracy is maintained. The tool switches itself off when automatic leveling cannot be achieved (tool set up outside its leveling range or physical impediment of the mechanism) or when knocked off level (see "Shock warning" section).

NOTE

If the correct level cannot be achieved, the laser switches itself off and all LEDs blink.

2.8 Items supplied

- 1 PR 2-HS rotating laser
- 1 PRA 20 (02) laser receiver
- 1 PRA 80 or PRA 83 laser receiver holder
- 1 Operating instructions
- 1 PRA 84 Li-ion battery
- 1 PUA 81 AC adapter
- 2 Batteries (size AA cells)
- 2 Manufacturer's certificates
- 1 Hilti toolbox

2.9 Operating status indicators

The tool is equipped with the following operating status indicators: auto-leveling LED, battery charge status LED, shock warning deactivation LED and inclined plane mode LED.

2.10 LED indicators

Auto-leveling LED	The green LED blinks. The green LED lights constantly.	The tool is in the leveling phase. The tool has leveled itself / is operating normally.
Shock warning deactivation LED	The orange LED lights constantly.	The shock warning function is deactivated.
Inclined plane mode LED	The orange LED lights constantly.	Manual inclined plane mode is active.
All LEDs	All LEDs blink.	The tool has been bumped, knocked off level or is exhibiting some error.

2.11 Charge status of the Li-ion battery during operation

LEDs light constantly	LEDs blink	Charge status C
LED 1, 2, 3, 4	-	$C \geq 75 \%$
LED 1, 2, 3	-	$50 \% \leq C < 75 \%$
LED 1, 2	-	$25 \% \leq C < 50 \%$
LED 1	-	$10 \% \leq C < 25 \%$
-	LED 1	$C < 10 \%$

2.12 Charge status of the Li-ion battery during charging while inserted in the tool

LEDs light constantly	LEDs blink	Charge status C
LED 1, 2, 3, 4	-	$C = 100\%$
LED 1, 2, 3	LED 4	$75 \% \leq C < 100 \%$
LED 1, 2	LED 3	$50 \% \leq C < 75 \%$
LED 1	LED 2	$25 \% \leq C < 50 \%$
-	LED 1	$C < 25 \%$

2.13 Battery charging activity is shown on the battery display while charging the battery outside the tool.

If the red charging activity LED lights constantly, the battery is being charged.

If the red charging activity LED does not light, then either the charging operation is complete or the charger is providing no current.

3 Accessories

Designation	Short designation
Laser receiver	PRA 20 (02)
Laser receiver holder	PRA 80
Laser receiver holder	PRA 83
Height transfer device	PRA 81
Slope adapter	PRA 79
AC adapter	PUA 81
Car charging connector	PUA 82
Battery	PRA 84

Designation	Short designation
Battery	PRA 84G
Tripod	PUA 20
Crank tripod (elevator tripod)	PUA 30
Crank tripod (elevator tripod)	PA 921
Automatic tripod	PRA 90
Telescopic staffs	PUA 50, PUA 55

4 Technical data

Right of technical changes reserved.

PR 2-HS

Receiving range (diameter)	With PRA 20 (02) laser receiver: 2...600 m (6.56... 1,968.5 ft)
Accuracy ¹	At 10 meters: ± 0.5 mm
Laser class	Class 2, 620-690 nm; < 1 mW (EN 60825-1:2007 / IEC 60825-1:2007); Class II (CFR 21 § 1040 (FDA)); Maximum power < 4.85 mW at ≥ 300 r.p.m.
Speed of rotation	300/min ± 10%
Self-leveling range	± 5°
Power source	7.2 V / 4.5 Ah Li-ion battery
Battery life	Temperature +25°C (+77 °F), Li-ion battery: ≥ 30 h
Operating temperature range	-20... +50°C (-4...+122 °F)
Storage temperature range (dry)	-25... +60°C (-13...+140 °F)
Protection class	IP 66 (in accordance with IEC 60529); Not in "charging during operation" mode
Tripod thread	5/8" x 18
Weight (including the PRA 84)	2.5 kg (5.51 lb)
Dimensions (L x W x H)	200 mm (7.87") x 200 mm (7.87") x 230 mm (9.06")
Drop test height ²	1.5 m (4.92 ft)

¹ Influences such as particularly high temperature fluctuations, dampness, shock, dropping, etc. can affect accuracy. Unless stated otherwise, the tool was adjusted or calibrated under standard ambient conditions (MIL-STD-810G).

² The drop test was carried out from a tripod, dropping onto flat concrete under standard ambient conditions (MIL-STD-810G).

PRA 20 (02)

Detection range (area diameter)	With the PR 2-HS (typical): 2...600 m (6.56... 1,968.5 ft)
Signal tone generator	3 volume levels plus mute setting
Liquid-crystal display	On both sides
Indicator range, distance from zero	± 52 mm
Laser plane display range	± 0.5 mm
Length of the receiving window	120 mm (4.72")
Center indication from top edge of casing	75 mm (2.95")
Marking notches	On both sides
Time without detection before automatic power off	15 min

¹ The drop test was carried out using the PRA 83 receiver holder, dropped onto flat concrete under standard ambient conditions (MIL-STD-810G).

Dimensions (L × W × H)	160 mm (6.3") × 67 mm (2.64") × 24 mm (0.94")
Weight (including batteries)	0.25 kg (0.55 lb)
Power source	2 AA batteries
Battery life	Temperature +20°C (+68 °F): Approx. 50 h (depending on the quality of the alkaline batteries used)
Operating temperature range	-20... +50°C (-4...+122 °F)
Storage temperature range	-25... +60°C (-13...+140 °F)
Protection class	IP 66 (in accordance with IEC 60529); Except the battery compartment
Drop test height ¹	2 m (6.56 ft)

¹ The drop test was carried out using the PRA 83 receiver holder, dropped onto flat concrete under standard ambient conditions (MIL-STD-810G).

PRA 84 Li-ion battery

Rated voltage (normal mode)	7.2 V
Maximum voltage (during operation or during charging while in operation)	13 V
Rated current	140 mA
Charging time	Temperature +32°C (+90 °F): 2 h 10 min (battery 80% charged)
Operating temperature range	-20... +50°C (-4...+122 °F)
Storage temperature range (dry)	-25... +60°C (-13...+140 °F)
Charging temperature range (also for charging during operation)	+0...+40°C (+32...+104 °F)
Weight	0.3 kg (0.66 lb)
Dimensions (L x W x H)	160 mm (6.3") x 45 mm (1.77") x 36 mm (1.42")

PUA 81 AC adapter

AC supply	115...230 V
AC frequency	47...63 Hz
Rated power	36 W
Rated voltage	12 V
Operating temperature range	+0...+40°C (+32...+104 °F)
Storage temperature range (dry)	-25... +60°C (-13...+140 °F)
Weight	0.23 kg (0.51 lb)
Dimensions (L x W x H)	110 mm (4.33") x 50 mm (1.97") x 32 mm (1.26")

5 Safety instructions

5.1 Basic information concerning safety

In addition to the information relevant to safety given in each of the sections of these operating instructions, the following points must be strictly observed at all times.

5.2 General safety rules



- a) Do not render safety devices ineffective and do not remove information and warning notices.

- b) **Stay alert, watch what you are doing and use common sense when operating the machine. Don't use the machine when you are tired or under the influence of drugs, alcohol or medication.** A moment of inattention while operating machines may result in serious personal injury.
- c) Keep laser tools out of reach of children.
- d) Failure to follow the correct procedures when opening the tool may cause emission of laser radiation in excess of class 2 or, respectively, class 3. **Have the tool repaired only at a Hilti service center.**
- e) **Do not operate the tool in explosive atmospheres, such as in the presence of flammable liquids, gases or dust.** Tools and appliances create sparks which may ignite the dust or fumes.
- f) (Statement in accordance with FCC §15.21): Changes or modifications not expressly approved by the manufacturer can void the user's authority to operate the equipment.
- g) Use of setting-up / adjusting devices and equipment or operating procedures other than those specified in these instructions may lead to exposure to hazardous radiation.
- h) **Check the condition of the tool before use. If the tool is found to be damaged, have it repaired at a Hilti service center.**
- i) **Maintain the machine carefully. Check for misalignment or binding of moving parts, breakage of parts and any other condition that may affect the machine's operation. If damaged, have the machine repaired before use.** Poor maintenance is the cause of many accidents.
- j) **The user must check the accuracy of the tool after it has been dropped or subjected to other mechanical stresses.**
- k) **Check the tool before using it for important measuring work.**
- l) **Check the accuracy of the measurements several times during use of the tool.**
- m) **When the tool is brought into a warm environment from very cold conditions, or vice-versa, allow it to become acclimatized before use.**
- n) **If mounting on an adapter, check that the tool is screwed on securely.**
- o) **Keep the laser exit aperture clean to avoid measurement errors.**
- p) **Although the tool is designed for the tough conditions of jobsite use, as with other optical and electronic instruments (e.g. binoculars, spectacles, cameras) it should be treated with care.**
- q) **Although the tool is protected to prevent entry of dampness, it should be wiped dry each time before being put away in its transport container.**
- r) **Keep the electrical contacts dry (protect from rain or dampness).**
- s) **Use the mains adapter only for connecting to the mains supply.**
- t) **Check to ensure that the tool and mains adapter do not present an obstacle that could lead to a risk of tripping and personal injury.**
- u) **Ensure that the workplace is well lit.**

- v) **Check the condition of the extension cord and replace it if damage is found. Do not touch the mains adapter if the extension cord or mains adapter are damaged while working. Disconnect the supply cord plug from the power outlet.** Damaged supply cords or extension cords present a risk of electric shock.
- w) **Avoid body contact with earthed or grounded surfaces such as pipes, radiators, ranges and refrigerators.** There is an increased risk of electric shock if your body is earthed or grounded.
- x) **Do not expose the supply cord to heat, oil or sharp edges.**
- y) **Never operate the mains adapter when it is dirty or wet. Dust (especially dust from conductive materials) or dampness adhering to the surface of the mains adapter may, under unfavorable conditions, lead to electric shock. Dirty or dusty tools should thus be checked at a Hilti service center at regular intervals, especially if used frequently for working on conductive materials.**
- z) Avoid touching the contacts.

5.2.1 Battery tool use and care



- a) **Do not expose batteries to high temperatures or fire.** This presents a risk of explosion.
- b) **Do not disassemble, squash or incinerate batteries and do not subject them to temperatures over 75°C.** A risk of fire, explosion or injury through contact with caustic substances may otherwise result.
- c) **Avoid ingress of moisture.** Moisture in the interior of the tool may cause a short circuit and chemical reactions resulting in burns to the skin or fire.
- d) Under abusive conditions, liquid may leak from the battery. **Avoid contact. If contact accidentally occurs, flush with water. In the event of the liquid coming into contact with the eyes, rinse the eyes with plenty of water and consult a doctor.** Liquid ejected from the battery may cause irritation or burns.
- e) **Do not use batteries other than those approved for use with the applicable tool or appliance.** Use of other batteries or use of the battery for purposes for which it is not intended presents a risk of fire and explosion.
- f) **Observe the special instructions applicable to the transport, storage and use of Li-ion batteries.**
- g) **When not in use, keep the battery and the charger away from paper clips, coins, keys, nails, screws or other small metal objects that could cause a short circuit at the battery terminals or the charging contacts.** A short circuit at the battery terminals or charging contacts could result in personal injury (burns) or fire.
- h) **Avoid short-circuiting the battery.** Before inserting the battery in the tool, check that the terminals of the battery and the tool are free from foreign objects.

Short-circuiting the battery terminals presents a risk of fire, explosion or contact with caustic substances.

- i) **Do not charge or continue to use damaged batteries (e.g. batteries with cracks, broken parts, bent or pushed-in and/or pulled-out contacts).**
- j) **Use only the PUA 81 AC adapter, PUA 82 motor vehicle power adapter or other chargers recommended by the manufacturer to power the tool or charge the battery.** Failure to observe these points may result in damage to the tool. Use of a charger with batteries other than the specific type(s) for which it is designed presents a risk of fire.

5.3 Proper organization of the work area

- a) **Secure the area in which you are working and take care to avoid directing the beam towards other persons or towards yourself when setting up the tool.**
- b) **Avoid unfavorable body positions when working from ladders. Make sure you work from a safe stance and stay in balance at all times.**
- c) Readings taken in the vicinity of reflective objects or surfaces, through panes of glass or similar materials may produce incorrect results.
- d) **Ensure that the tool is set up on a steady, level surface (not subject to vibration).**
- e) **Use the tool only within its specified limits.**
- f) **When working in “charging during operation” mode, attach the AC adapter in a secure position, e.g. on a tripod.**
- g) Use of products for applications different from those intended could result in hazardous situations. **Use the product and its accessories etc. in accordance with these instructions and in the manner intended for the particular type of product. Take**

the working conditions and the work to be performed into account.

- h) **Use of the telescopic staff in the vicinity of overhead high voltage cables is not permissible.**

5.3.1 Electromagnetic compatibility

NOTE

Only for Korea: This device is suitable for the electromagnetic radiation encountered in residential environments (Class B). It is intended mainly for use in residential environments but may also be used in other environments.

Although the tool complies with the strict requirements of the applicable directives, Hilti cannot entirely rule out the possibility of the tool being subject to interference caused by powerful electromagnetic radiation, leading to incorrect operation. Check the accuracy of the tool by taking measurements by other means when working under such conditions or if you are unsure. Likewise, Hilti cannot rule out the possibility of interference with other devices (e.g. aircraft navigation equipment).

5.3.2 Laser classification for Laser Class 2/Class II tools

Depending on the version purchased, the tool complies with Laser Class 2 in accordance with IEC825-1:2007/EN60825-1:2007 and Class II in accordance with CFR 21 § 1040 (FDA). This tool may be used without need for further protective measures. The eyelid closure reflex protects the eyes when a person looks into the beam unintentionally for a brief moment. This eyelid closure reflex, however, may be negatively affected by medicines, alcohol or drugs. Nevertheless, as with the sun, one should not look directly into sources of bright light. Do not direct the laser beam toward persons.

6 Before use

NOTE

The tool may be powered only by a Hilti PRA 84 or PRA 84G battery.

6.1 Fitting the battery 2

CAUTION

Before inserting the battery in the tool, check to ensure that the battery terminals and the contacts in the tool are free from foreign objects.

1. Push the battery into the tool.
2. Turn the catch in a clockwise direction until the “locked” symbol appears.

6.2 Removing the battery 2

1. Turn the catch in a counter-clockwise direction until the “unlocked” symbol appears.
2. Pull the battery out of the tool.

6.3 Charging the battery



DANGER

Use only the Hilti batteries and Hilti AC adapters listed under “Accessories”. Use of tools or AC adapters which show visible signs of damage is not permissible.

6.3.1 Charging a new battery for the first time

Charge the battery fully before using it for the first time.

NOTE

Make sure the system to be charged is standing securely.

6.3.2 Recharging a battery

1. Check that the outer surfaces of the battery are clean and dry.
2. Insert the battery in the tool.

NOTE Li-ion batteries are ready for use at any time, even when only partly charged. Charging progress is indicated by the LEDs when the tool is switched on.

6.4 Options for charging the battery



DANGER

The PUA 81 AC adapter is for indoor use only. Avoid ingress of moisture.

NOTE

Make sure that the recommended temperature range is observed when charging (0 to 40°C).

6.4.1 Charging the battery in the tool **3**

1. Insert the battery in the battery compartment (see 6.1).
2. Rotate the socket cover until the charging socket on the battery becomes visible.
3. Plug the cord from the AC adapter or motor vehicle power adapter into the battery. The battery will be charged.
4. Switch the tool on in order to display the charging status while charging is in progress.

6.4.2 Charging the battery outside the tool **4**

1. Remove the battery (see 6.2).
2. Connect the cord from the AC adapter or the motor vehicle power adapter to the battery. The red LED on the battery indicates charging activity.

6.4.3 Charging the battery while the tool is in operation **3**

DANGER

Operation in “charging during operation” mode is not permissible for outdoor use or in damp surroundings.

CAUTION

Avoid ingress of moisture. Moisture in the interior of the tool may cause a short circuit and chemical reactions resulting in burns to the skin or fire.

1. Rotate the socket cover until the charging socket on the battery becomes visible.
2. Plug the cord from the AC adapter into the battery. The tool continues to operate while charging and battery charging status is indicated by the LEDs on the tool.

6.5 Battery use and care

Store the battery in a cool, dry place. Never store the battery where it is exposed to direct sunlight or sources of heat, e.g. on heaters / radiators or behind glass. Batteries that have reached the end of their life must be disposed of safely and correctly to avoid environmental pollution.

6.6 Switching the tool on

Press the on/off button.

NOTE

After switching on, the tool begins to level itself automatically. The laser switches on when leveling is complete.

6.7 LED indicators

Please refer to section 2 “Description”.

6.8 Inserting the batteries in the laser receiver **3**

DANGER

Do not use damaged batteries.

DANGER

Do not mix old and new batteries. Do not mix batteries of different makes or types.

NOTE

The laser receiver may be powered only by batteries manufactured in accordance with the applicable international standards.

1. Open the laser receiver battery compartment.
2. Insert the batteries in the laser receiver. **NOTE** Check to ensure correct polarity when inserting the batteries.
3. Close the battery compartment cover.

7 Operation



en

7.1 Checking the tool

Check the accuracy of the tool before using it for important tasks, especially if it has been dropped or subjected to unusual influences or impacts etc. (see 8.6).

7.2 Switching the tool on

Press the on/off button.

NOTE

After switching on, the tool begins to level itself automatically.

7.3 Working with the laser receiver

The laser receiver can be used at distances (radiuses) of up to 300 m (1,000 ft). The laser beam is indicated by visual and audible signals.

7.3.1 Working with the laser receiver as a handheld unit

1. Press the on/off button.
2. Hold the laser receiver with the receiving window directly in the plane of the rotating laser beam.

7.3.2 Working with the laser receiver in the PRA 80 receiver holder

1. Open the catch on the PRA 80.
2. Place the receiver in the PRA 80 receiver holder.
3. Close the catch on the PRA 80.
4. Switch the receiver on by pressing the on/off button.
5. Turn the rotating grip to the open position.
6. Secure the PRA 80 receiver holder on the telescopic staff or leveling staff by tightening the clamping knob.
7. Hold the receiver with the receiving window in the plane of the rotating laser beam.

7.3.3 Working with the laser receiver in the PRA 83 receiver holder

1. Push the receiver into the rubber sleeve of the PRA 83 at an angle until it fully encloses the receiver. Take care to ensure that the receiving window and the buttons are facing the front.
2. Fit the receiver, complete with the rubber sleeve, onto the grip section. The cover and grip section are joined together by the magnetic holder.
3. Switch the receiver on by pressing the on/off button.
4. Turn the rotating grip to the open position.
5. Secure the PRA 83 receiver holder on the telescopic staff or leveling staff by tightening the clamping knob.
6. Hold the receiver with the receiving window in the plane of the rotating laser beam.

7.3.4 Working with the PRA 81 height transfer device

1. Open the catch on the PRA 81.
2. Insert the laser receiver in the PRA 81 height transfer device.
3. Close the catch on the PRA 81.
4. Switch the laser receiver on by pressing the on/off button.
5. Hold the laser receiver with the receiving window directly in the plane of the rotating laser beam.
6. Position the laser receiver so that the distance display shows "0".
7. Use the measuring tape to measure the desired distance.

7.3.5 Setting the measuring unit

The "Units" button can be used to set the desired accuracy of the digital display (mm/cm/off).

7.3.6 Volume adjustment

When the receiver is switched on, the volume is set to "normal". The volume can be adjusted by pressing the "Volume" button. One of four settings can be selected: "Low", "Normal", "High" or "Off".

7.3.7 Menu options

1. Press and hold the on/off button for two seconds when switching the laser receiver on. The menu then appears in the display.
2. Use the "Measuring units" button to select metric or imperial measuring units.
3. Use the "Volume" button to assign the more rapid signal tone to the upper or lower area of the receiving window.
4. To save the settings, switch the laser receiver off.
NOTE Each setting that has been made becomes effective the next time the tool is switched on.

7.4 Deactivating the shock warning function

1. Switch the tool on (see 7.2).
2. Press the "Deactivate shock warning" button. The shock warning deactivation LED lights constantly, indicating that the function has been deactivated.
3. To return to standard operating mode, switch the tool off and then switch it back on again.

7.5 Working in the horizontal plane

1. Set up the tool in a suitable position for the application, e.g. on a tripod. Alternatively, the rotating laser may be mounted on a wall bracket. The angle of inclination of the surface on which it stands should not exceed $\pm 5^\circ$.

2. Press the on/off button.
The auto-leveling LED blinks green.
The laser switches on, the beam begins to rotate and the "auto leveling" LED lights as soon as the tool has leveled itself.

7.6 Working with slopes (manual settings)

NOTE

Check that the slope adapter is fitted correctly between the tripod and the tool (please refer to the operating instructions for the PRA 79).

7.6.1 Setting up

1. Set up the PRA 79 slope adapter in a suitable position for the application, e.g. on a tripod.
2. Position the tripod either at the upper edge or lower edge of the inclined plane.

3. Mount the rotating laser on the slope adapter and bring it into alignment with the inclined plane, i.e. parallel to the slope. The control panel of the PR 2-HVS should face away from the direction of inclination.
4. Make sure that the slope adapter is in the zero position (0°).

7.6.2 Switching on

1. Switch the tool on (see 7.2).
2. Press the "Inclined plane manual mode" button.
The "Inclined plane mode" LED then lights on the control panel of the rotating laser.
The tool then begins automatic self-leveling. The laser switches on and begins to rotate as soon as this is complete.
3. Now set the slope adapter to the desired angle of inclination.
4. To return to standard operating mode, switch the tool off and then switch it back on again.

8 Care and maintenance

8.1 Cleaning and drying

1. Blow dust off exit windows.
2. Do not touch the glass with the fingers.
3. Use only a clean, soft cloth for cleaning. If necessary, moisten the cloth slightly with pure alcohol or a little water.

NOTE Abrasive cleaning materials may scratch the glass and impair the accuracy of the laser tool.

NOTE Do not use any other liquids as these may damage the plastic components.

4. Dry the equipment, observing the maximum temperatures given in the technical data.

NOTE Especially in summer and winter, take care that the given maximum and minimum temperatures are not exceeded, e.g. when the equipment is stored in a motor vehicle.

8.2 Care of the Li-ion battery

NOTE

A conditioning charge (as is required with NiCd or NiMH batteries) is not necessary with Li-ion batteries

NOTE

Interruption of the charging procedure has no negative effect on battery life.

NOTE

Charging can be started at any time with no negative effect on battery life. There is no memory effect (as with NiCd or NiMH batteries).

NOTE

For best results, batteries should be stored fully charged in a cool dry place. Storing the battery in places subject to high ambient temperatures (e.g. at a window) has an

adverse effect on battery life and increases the rate of self-discharge.

NOTE

Batteries lose capacity due to aging and overstraining. They can then no longer be fully charged. You may continue to work with a battery that shows signs of aging, but the battery should be replaced in good time.

1. Avoid ingress of moisture.
2. Charge the battery fully before using it for the first time.
3. Charge the battery as soon as its performance begins to drop significantly.
NOTE Recharging in good time will increase the service life of the battery.
NOTE If use of the tool continues, further battery discharge will be stopped automatically before the battery cells suffer damage.
4. Charge the battery with the Hilti charger approved for use with Li-ion batteries.

8.3 Storage

1. Remove the appliance from its case if it has become wet. Dry and clean the tool, its transport container and accessories (while observing the permissible temperature range). Repack the equipment only once it is completely dry.
2. Check the accuracy of the equipment before it is used after a long period of storage or transportation.
3. Remove rechargeable and non-rechargeable batteries from the tool or the laser receiver before storing the units for long periods. The tool or laser receiver may suffer damage caused by leakage from rechargeable or non-rechargeable batteries.

8.4 Transport

Use the Hilti toolbox or packaging of equivalent quality for transporting or shipping your equipment.

CAUTION

Remove the batteries from the tool and receiver before transport or shipping.

8.5 Calibration by the Hilti Calibration Service

We recommend that the tool is checked by the Hilti Calibration Service at regular intervals in order to verify its reliability in accordance with standards and legal requirements.

Use can be made of the Hilti Calibration Service at any time. We recommend that the tool is calibrated at least once a year.

The calibration service provides confirmation that the tool is in conformance, on the day it is tested, with the specifications given in the operating instructions.

In the event of deviation from the manufacturer's specification, the used tool will be readjusted. After checking and adjustment, a calibration sticker applied to the tool and a calibration certificate provide written verification that the tool operates in accordance with the manufacturer's specification.

Calibration certificates are always required by companies certified according to ISO 900x.

The Hilti representative in your local region will be pleased to provide further information.

8.6 Checking accuracy

NOTE

In order to ensure compliance with the technical specifications, the tool should be checked regularly (at least before each major / relevant job).

NOTE

After falling and suffering an impact it can be presumed that the tool will continue to operate faultlessly, with the accuracy it achieved prior to the impact, when the following conditions are met:

The height of the fall did not exceed the height given in the technical data.

The tool suffered no obvious mechanical damage from the impact (e.g. breakage of the pentaprism).

The tool projects a rotating laser beam when in operation.

The tool operated faultlessly before the impact.

8.6.1 Checking the main and transverse horizontal axes

1. Set up the tripod approx. 20 m from a wall and level the tripod head with a spirit level.
2. Mount the tool on the tripod and use the aiming notch to aim the tool at the wall.
3. Use the laser receiver to catch the laser beam and mark a point (point 1) on the wall.
4. Pivot the tool clockwise through 90° about its own axis. In doing so, ensure that the height of the tool does not change.
5. Use the laser receiver to catch the laser beam and mark a second point (point 2) on the wall.
6. Repeat steps 4 and 5 twice and mark points 3 and 4 on the wall with the aid of the laser receiver.

When this procedure is carried out carefully, the vertical distance between the two marked points 1 and 3 (main axis) or, respectively, points 2 and 4 (transverse axis) should be less than 2 mm (at 20 m). If the deviation is greater than this, the tool should be returned to a Hilti Service Center for calibration.

9 Disposal

WARNING

Improper disposal of the equipment may have serious consequences:

The burning of plastic components generates toxic fumes which may present a health hazard.

Batteries may explode if damaged or exposed to very high temperatures, causing poisoning, burns, acid burns or environmental pollution.

Careless disposal may permit unauthorized and improper use of the equipment. This may result in serious personal injury, injury to third parties and pollution of the environment.



Most of the materials from which Hilti tools or appliances are manufactured can be recycled. The materials must be correctly separated before they can be recycled. In many countries, Hilti has already made arrangements for taking back old tools and appliances for recycling. Ask Hilti customer service or your Hilti representative for further information.



Dispose of the batteries in accordance with national regulations. Please help us to protect the environment.

10 Manufacturer's warranty - tools

Hilti warrants that the tool supplied is free of defects in material and workmanship. This warranty is valid so long as the tool is operated and handled correctly, cleaned and serviced properly and in accordance with the Hilti Operating Instructions, and the technical system is maintained. This means that only original Hilti consumables, components and spare parts may be used in the tool.

This warranty provides the free-of-charge repair or replacement of defective parts only over the entire lifespan of the tool. Parts requiring repair or replacement as a result of normal wear and tear are not covered by this warranty.

Additional claims are excluded, unless stringent national rules prohibit such exclusion. In particular, Hilti is not obligated for direct, indirect, incidental or consequential damages, losses or expenses in connection with, or by reason of, the use of, or inability to use the tool for any purpose. Implied warranties of merchantability or fitness for a particular purpose are specifically excluded.

For repair or replacement, send the tool or related parts immediately upon discovery of the defect to the address of the local Hilti marketing organization provided.

This constitutes Hilti's entire obligation with regard to warranty and supersedes all prior or contemporaneous comments and oral or written agreements concerning warranties.

en

11 FCC statement (applicable in US) / IC statement (applicable in Canada)

This device complies with part 15 of the FCC Rules and RSS-210 of the IC. Operation is subject to the following two conditions:

This device should cause no cause harmful interference.

This device must accept any interference received, including interference that may cause undesired operation.

NOTE

Changes or modifications not expressly approved by Hilti may restrict the user's authorization to operate the equipment.

PR-2-HS Laser rotatif

fr

Avant de mettre l'appareil en marche, lire impérativement son mode d'emploi et bien respecter les consignes.

Le présent mode d'emploi doit toujours accompagner l'appareil.

Ne pas prêter ou céder l'appareil à un autre utilisateur sans lui fournir le mode d'emploi.

Sommaire	Page
1 Consignes générales	15
2 Description	15
3 Accessoires	18
4 Caractéristiques techniques	18
5 Consignes de sécurité	20
6 Mise en service	22
7 Utilisation	23
8 Nettoyage et entretien	25
9 Recyclage	26
10 Garantie constructeur des appareils	26
11 Déclaration FCC (valable aux États-Unis) / Déclaration IC (valable au Canada)	27

1 Les chiffres renvoient aux illustrations respectives. Les illustrations qui se rapportent au texte se trouvent sur les pages rabattables. Pour lire le mode d'emploi, rabattre ces pages de manière à voir les illustrations.

Dans le présent mode d'emploi, « l'appareil » ou « le laser rotatif » désigne toujours le laser rotatif PR 2-HS. Le terme « récepteur laser » ou « récepteur » désigne toujours le récepteur laser PRA 20 (02).

Laser rotatif PR 2-HS **1**

- 1 Faisceau laser (plan de rotation)
- 2 Tête rotative
- 3 Poignée
- 4 Panneau de commande
- 5 Semelle avec filetage 5/8"
- 6 Bloc-accu Li-Ion PRA 84

Mise en place et retrait du bloc-accu **2**

- 1 Bloc-accu Li-Ion PRA 84
- 2 Compartiment de l'accu
- 3 Verrouillage

Charge dans l'appareil **3**

- 1 Adaptateur secteur PUA 81
- 2 Prise de charge

Charge hors de l'appareil **4**

- 1 Adaptateur secteur PUA 81
- 2 Fiche pour allume-cigare PUA 82
- 3 DEL Activité de charge du bloc-accu

Panneau de commande du laser rotatif **5**

- 1 Touche Marche / Arrêt
- 2 DEL Mise à niveau automatique
- 3 Touche et DEL Désactivation de l'avertissement de choc
- 4 Touche et DEL Mode Inclinaison manuel
- 5 DEL État de charge du bloc-accu

Panneau de commande du récepteur laser PRA 20 **6**

- 1 Touche Marche / Arrêt
- 2 Touche des unités
- 3 Touche de réglage du volume sonore
- 4 Zone de détection
- 5 Encoche de repère
- 6 Affichage

Écran d'affichage du PRA 20 **7**

- 1 Affichage de la position du récepteur par rapport à la hauteur du plan laser
- 2 Affichage de l'état de charge
- 3 Affichage de la distance relative au plan laser
- 4 Affichage du volume sonore
- 5 Affichage de niveau de charge faible du laser rotatif

1 Consignes générales

1.1 Termes signalant un danger et leur signification

DANGER

Pour un danger imminent qui peut entraîner de graves blessures corporelles ou la mort.

AVERTISSEMENT

Pour attirer l'attention sur une situation pouvant présenter des dangers susceptibles d'entraîner des blessures corporelles graves ou la mort.

ATTENTION

Pour attirer l'attention sur une situation pouvant présenter des dangers susceptibles d'entraîner des blessures corporelles légères ou des dégâts matériels.

REMARQUE

Pour des conseils d'utilisation et autres informations utiles.

1.2 Explication des pictogrammes et autres symboles d'avertissement

Symboles



Lire le mode d'emploi avant d'utiliser l'appareil



Avertissement danger général



Recycler les déchets



Ne pas regarder directement dans le faisceau



Uniquement destiné à une utilisation à l'intérieur



Avertissement matières corrosives



Avertissement tension électrique dangereuse



Avertissement substances explosives



KCC-REM-
HLT-PR2HS

Sur l'appareil



Laser de classe 2 conformément à IEC/EN 60825-1:2007

Sur l'appareil



laser class II according CFR 21, § 1040 (FDA)

Identification de l'appareil

La désignation et le numéro de série du modèle se trouvent sur la plaque signalétique de l'appareil. Inscrive ces renseignements dans le mode d'emploi et toujours s'y référer pour communiquer avec notre représentant ou agence Hilti.

Type :

Génération : 01

N° de série :

2 Description

2.1 Utilisation conforme à l'usage prévu

Le PR 2-HS est un laser rotatif avec un faisceau laser visible rotatif. Le laser rotatif peut être utilisé horizontalement et pour les inclinaisons.

L'appareil est conçu pour déterminer, reporter ou contrôler des références sur des plans horizontaux et inclinés. Exemples d'utilisation : le report de repères métriques et de repères de hauteur. L'appareil est destiné aux utilisateurs professionnels et ne doit être utilisé, entretenu et réparé que par du personnel agréé, formé à cet effet. Ce personnel doit être au courant des dangers inhérents à l'utilisation de l'appareil.

L'appareil et ses accessoires peuvent s'avérer dangereux s'ils sont utilisés de manière incorrecte par un personnel non qualifié ou de manière non conforme à l'usage prévu.

Nous vous proposons différents accessoires pour une meilleure utilisation de l'appareil.

Pour éviter tout risque de blessure, utiliser uniquement les accessoires et outils Hilti d'origine.

Bien respecter les consignes concernant l'utilisation, le nettoyage et l'entretien de l'appareil qui figurent dans le présent mode d'emploi.

Prêter attention aux influences de l'environnement de l'espace de travail. Ne pas utiliser l'appareil dans des endroits présentant un danger d'incendie ou d'explosion.

Toute manipulation ou modification de l'appareil est interdite.

2.2 Caractéristiques

L'appareil permet à une personne de mettre rapidement à niveau n'importe quelle surface avec une grande précision. La mise à niveau s'effectue automatiquement après la mise en marche de l'appareil. Le faisceau laser est seulement mis en marche lorsque la précision spécifiée est atteinte.

Les DEL indiquent l'état de fonctionnement actuel de l'appareil.

L'appareil est alimenté par des blocs-accus Li-Ion rechargeables, qui peuvent aussi être chargés en cours de fonctionnement.

2.3 Mesure numérique d'un écartement

Le récepteur laser affiche numériquement l'écartement entre le plan laser et l'encoche de repère du récepteur laser. Il est ainsi possible de localiser un endroit en une étape de travail au millimètre près.

2.4 Plan horizontal

La mise à niveau au plan de mise à niveau s'effectue automatiquement après mise en marche de l'appareil grâce à deux servomoteurs incorporés.

2.5 Plans en biais (mise à niveau manuelle selon l'inclinaison souhaitée)

Les inclinaisons peuvent être réglées à l'aide de l'adaptateur d'inclinaison PRA 79. Pour plus d'informations sur l'utilisation, se référer à la fiche jointe au PRA 79.

2.6 Fonction d'avertissement de choc

Après mise en marche de l'appareil, la fonction d'avertissement de choc est seulement activée deux minutes après que le nivellement soit terminé. Sitôt qu'une touche est enfoncée pendant ces 2 minutes, le délai d'attente de deux minutes est renouvelé. Si en cours de fonctionnement, l'appareil n'est plus à niveau (secousses / chocs), le mode d'avertissement est activé ; toutes les DEL clignotent, le laser s'arrête (la tête ne tourne plus).

2.7 Dispositif d'arrêt automatique

Si l'appareil est en dehors de la plage de mise à niveau automatique ($\pm 5^\circ$) ou est bloqué mécaniquement, le laser ne se met pas en marche et les DEL clignotent. L'appareil peut être posé sur des trépieds avec filetage 5/8" ou directement sur un support plan et stable (sans vibrations !). Lors de la mise à niveau automatique selon un ou deux axes, le servosystème veille à ce que la précision spécifiée soit respectée. L'appareil s'arrête lorsque la mise à niveau s'avère impossible (appareil hors de la plage de mise à niveau ou blocage mécanique) ou lorsque l'appareil n'est plus à niveau (voir la section Fonction d'avertissement de choc).

REMARQUE

Si la mise à niveau ne peut pas être réalisée, le laser s'arrête et toutes les DEL clignotent.

2.8 Éléments livrés

- 1 Laser rotatif PR 2-HS
- 1 Récepteur laser PRA 20 (02)
- 1 Support de récepteur PRA 80 ou PRA 83
- 1 Mode d'emploi
- 1 Bloc-accu Li-Ion PRA 84
- 1 Adaptateur secteur PUA 81
- 2 Piles (piles AA)

2 Certificats du fabricant

1 Coffret Hilti

2.9 Témoins lumineux de fonctionnement

L'appareil est doté des témoins lumineux de fonctionnement suivants : DEL Mise à niveau automatique, DEL État de charge, DEL Désactivation de l'avertissement de choc et DEL Mode Inclinaison

2.10 Témoins DEL

DEL Mise à niveau automatique	La DEL verte clignote.	L'appareil est en phase de mise à niveau.
	La DEL verte clignote en continu	L'appareil est mis à niveau / fonctionne correctement.
DEL Désactivation de l'avertissement de choc	La DEL orange est allumée en continu.	La fonction d'avertissement de choc est désactivée.
DEL Mode Inclinaison	La DEL orange est allumée en continu.	Le mode Inclinaison manuel est activé.
Toutes les DEL	Toutes les DEL clignent.	L'appareil a été heurté, n'est plus à niveau ou présente une autre anomalie.

2.11 État de charge du bloc-accu Li-Ion en cours de fonctionnement

DEL allumée en continu	DEL clignotante	État de charge C
DEL 1, 2, 3, 4	-	$C \geq 75 \%$
DEL 1, 2, 3	-	$50 \% \leq C < 75 \%$
DEL 1, 2	-	$25 \% \leq C < 50 \%$
DEL 1	-	$10 \% \leq C < 25 \%$
-	DEL 1	$C < 10 \%$

2.12 État de charge du bloc-accu Li-Ion pendant le processus de charge dans l'appareil

DEL allumée en continu	DEL clignotante	État de charge C
DEL 1, 2, 3, 4	-	$C = 100 \%$
DEL 1, 2, 3	DEL 4	$75 \% \leq C < 100 \%$
DEL 1, 2	DEL 3	$50 \% \leq C < 75 \%$
DEL 1	DEL 2	$25 \% \leq C < 50 \%$
-	DEL 1	$C < 25 \%$

2.13 Affichage de l'activité de charge du bloc-accu Li-Ion pendant le processus de charge hors de l'appareil

Si la DEL rouge Activité de charge du bloc-accu est allumée en continu, le bloc-accu est en cours de charge.

Si la DEL rouge Activité de charge du bloc-accu n'est pas allumée, le processus de charge est terminé ou le chargeur ne fournit pas de courant.

fr

3 Accessoires

Désignation	Symbole
Récepteur laser	PRA 20 (02)
Support de récepteur	PRA 80
Support de récepteur	PRA 83
Dispositif de report de hauteur	PRA 81
Adaptateur d'inclinaison	PRA 79
Bloc d'alimentation au réseau	PUA 81
Fiche pour allume-cigare	PUA 82
Bloc-accu	PRA 84
Bloc-accu	PRA 84G
Trépied	PUA 20
Trépied à manivelle	PUA 30
Trépied à manivelle	PA 921
Trépied automatique	PRA 90
Mires télescopiques	PUA 50, PUA 55

4 Caractéristiques techniques

Sous réserve de modifications techniques !

PR 2-HS

Portée réception (diamètre)	avec récepteur laser PRA 20 (02) : 2...600 m (6,56... 1.968,5 ft)
Précision ¹	sur 10 mètres : ± 0,5 mm
Classe laser	Classe 2, 620-690 nm ; < 1 mW (EN 60825-1:2007 / IEC 60825-1:2007) ; Class II (CFR 21 § 1040 (FDA)) ; Puissance maximale < 4,85 mW à \cong 300 tr/min
Vitesse de rotation	300/min ± 10 %
Plage de mise à niveau automatique	± 5 °
Alimentation électrique	bloc-accu Li-Ion 7,2 V/ 4,5 Ah
Autonomie de fonctionnement du bloc-accu	température +25 °C (+77 °F), Bloc-accu Li-Ion : ≥ 30 h
Température de service	-20... +50 °C (-4... +122 °F)
Température de stockage (à sec)	-25... +60 °C (-13... +140 °F)
Classe de protection	IP 66 (conformément à IEC 60529) ; pas en mode « Charge en cours de fonctionnement »
Trépied avec filetage	5/8 " x 18
Poids (PRA 84 inclus)	2,5 kg (5,51 lb)
Dimensions (L x l x H)	200 mm (7,87 ") x 200 mm (7,87 ") x 230 mm (9,06 ")
Hauteur de l'essai de chute ²	1,5 m (4,92 ft)

¹ Des influences telles que notamment de fortes variations de température, l'humidité, des chocs, une chute, etc. sont susceptibles d'influer sur la précision. Sauf indications différentes, l'appareil a été ajusté resp. calibré dans des conditions ambiantes standard (MIL-STD-810G).

² L'essai de chute a été réalisé avec le trépied sur du béton plat dans des conditions environnementales standard (MIL-STD-810G).

PRA 20 (02)

Détection du rayon d'action (diamètre)	typiquement avec PR 2-HS : 2 ... 600 m (6,56... 1.968,5 ft)
Émetteur de signal sonore	3 intensités avec possibilité de désactivation
Indicateur à cristaux liquides	de chaque côté
Plage d'affichage de la distance	± 52 mm
Zone d'affichage du plan laser	± 0,5 mm
Longueur du champ de détection	120 mm (4,72 ")
Distance du centre par rapport à la face supérieure du boîtier	75 mm (2,95 ")
Encoches de repère	sur les deux côtés
Délai d'attente sans détection avant désactivation automatique	15 min
Dimensions (L x l x H)	160 mm (6,3 ") x 67 mm (2,64 ") x 24 mm (0,94 ")
Poids (avec les piles)	0,25 kg (0,55 lb)
Alimentation électrique	2 cellules AA
Durée de vie de la batterie	Température +20 °C (+68 °F) : env. 50 h (suivant la qualité des piles alcalines au manganèse)
Température de service	-20... +50 °C (-4... +122 °F)
Température de stockage	-25... +60 °C (-13... +140 °F)
Classe de protection	IP 66 (conformément à IEC 60529) ; hormis le compartiment des piles
Hauteur de l'essai de chute ¹	2 m (6,56 ft)

¹ L'essai de chute a été réalisé dans le support de récepteur PRA 83 sur du béton plat dans des conditions environnementales standard (MIL-STD-810G).

Bloc-accu Li-Ion PRA 84

Tension nominale (mode normal)	7,2 V
Tension maximale (en fonctionnement ou en charge en cours de fonctionnement)	13 V
Courant nominal	140 mA
Durée de la charge	température +32 °C (+90 °F) : 2 h 10 min (bloc-accu chargé à 80 %)
Température de service	-20... +50 °C (-4... +122 °F)
Température de stockage (à sec)	-25... +60 °C (-13... +140 °F)
Température de charge (aussi en mode charge en cours de fonctionnement)	+0... +40 °C (+32... +104 °F)
Poids	0,3 kg (0,66 lb)
Dimensions (L x l x H)	160 mm (6,3 ") x 45 mm (1,77 ") x 36 mm (1,42 ")

Bloc d'alimentation PUA 81

Alimentation par secteur	115...230 V
Fréquence réseau	47...63 Hz
Puissance de mesure	36 W
Tension de mesure	12 V
Température de service	+0... +40 °C (+32... +104 °F)
Température de stockage (à sec)	-25... +60 °C (-13... +140 °F)
Poids	0,23 kg (0,51 lb)
Dimensions (L x l x H)	110 mm (4,33 ") x 50 mm (1,97 ") x 32 mm (1,26 ")

5 Consignes de sécurité

5.1 Consignes de sécurité générales

En plus des consignes de sécurité figurant dans les différentes sections du présent mode d'emploi, il importe de toujours bien respecter les directives suivantes.

5.2 Consignes de sécurité générales



- a) **Ne pas neutraliser les dispositifs de sécurité ni enlever les plaquettes indicatrices et les plaquettes d'avertissement.**
- b) **Rester vigilant, surveiller ses gestes. Faire preuve de bon sens en utilisant l'appareil. Ne pas utiliser l'appareil en étant fatigué ou après avoir consommé de l'alcool, des drogues ou avoir pris des médicaments.** Un moment d'inattention lors de l'utilisation de l'appareil peut entraîner de graves blessures corporelles.
- c) Tenir l'appareil laser hors de portée des enfants.
- d) En cas de montage incorrect de l'appareil, il peut se produire un rayonnement laser d'intensité supérieure à celui des appareils de classe 2 ou 3. **Ne faire réparer l'appareil que par le S.A.V. Hilti.**
- e) **N'utilisez pas l'appareil dans un environnement présentant des risques d'explosion et où se trouvent des liquides, des gaz ou poussières inflammables.** Les appareils génèrent des étincelles risquant d'enflammer les poussières ou les vapeurs.
- f) (Remarque conforme à FCC §15.21) : Toute modification ou tout changement subi par l'appareil et non expressément approuvé par Hilti peut limiter le droit de l'utilisateur à se servir de l'équipement.
- g) Si d'autres dispositifs d'utilisation et d'ajustage que ceux décrits dans le présent document sont utilisés, ou d'autres procédures sont réalisées, le faisceau peut avoir des effets dangereux.
- h) **Avant toute utilisation, l'appareil doit être contrôlé. Si l'appareil est endommagé, le faire réparer par le S.A.V. Hilti.**
- i) **Prendre soin des outils électroportatifs. Vérifier que les parties en mouvement fonctionnent correctement et qu'elles ne sont pas coincées. Vérifier également qu'aucune pièce cassée ou endommagée ne risque d'entraver le bon fonctionnement de l'appareil. Faire réparer les parties endommagées avant d'utiliser l'appareil.** De nombreux accidents sont dus à des appareils mal entretenus.
- j) **Après une chute ou tout autre incident mécanique, il est nécessaire de vérifier la précision de l'appareil.**
- k) **Contrôler l'appareil avant de procéder à des mesures importantes.**
- l) **Contrôler plusieurs fois la précision pendant l'utilisation.**

- m) Lorsque l'appareil est déplacé d'un lieu très froid à un plus chaud ou vice-versa, le laisser atteindre la température ambiante avant de l'utiliser.
- n) En cas d'utilisation d'adaptateurs, vérifier que l'appareil est toujours bien vissé.
- o) Pour éviter toute erreur de mesure, toujours bien nettoyer les fenêtres d'émission du faisceau laser.
- p) Bien que l'appareil soit conçu pour être utilisé dans les conditions de chantier les plus dures, en prendre soin comme de tout autre instrument optique et électrique (par ex. jumelles, lunettes, appareil photo).
- q) Bien que l'appareil soit parfaitement étanche, il est conseillé d'éliminer toute trace d'humidité en l'essuyant avant de le ranger dans son coffret de transport.
- r) **Ne pas exposer les contacts électriques à la pluie ou à l'humidité.**
- s) **Brancher le bloc d'alimentation au réseau uniquement au secteur.**
- t) **S'assurer que l'appareil et le bloc d'alimentation au réseau ne forment pas d'obstacle pouvant entraîner des chutes ou des blessures.**
- u) **Veiller à ce que l'espace de travail soit bien éclairé.**
- v) **Contrôler régulièrement les câbles de rallonge et les remplacer s'ils sont endommagés. Si le bloc d'alimentation au réseau ou le câble de rallonge est endommagé pendant le travail, ne pas le toucher. Débrancher la fiche de la prise.** Les cordons d'alimentation et câbles de rallonge endommagés représentent un danger d'électrocution.
- w) **Éviter le contact physique avec des surfaces mises à la terre tels que tuyaux, radiateurs, cuisinières et réfrigérateurs.** Il y a un risque élevé de choc électrique au cas où votre corps serait relié à la terre.
- x) **Protéger le câble de la chaleur, de l'huile et des arêtes vives.**
- y) **Ne jamais faire fonctionner le bloc d'alimentation au réseau s'il est encrassé ou mouillé. Dans de mauvaises conditions d'utilisation, la poussière collée à la surface du bloc d'alimentation au réseau, surtout la poussière de matériaux conducteurs, ou l'humidité, peuvent entraîner une électrocution. En cas d'interventions fréquentes sur des matériaux conducteurs, faire contrôler les appareils encrassés à intervalles réguliers par le S.A.V. Hilti.**
- z) Éviter de toucher les contacts.

5.2.1 Utilisation et emploi soigneux des appareils sans fil



- a) **Ne pas exposer les blocs-accus à des températures élevées ni au feu.** Il y a risque d'explosion.
- b) **Les blocs-accus ne doivent pas être démontés, écrasés, chauffés à une température supérieure à 75 °C ou jetés au feu.** Sinon, il y a risque d'incendie, d'explosion et de brûlure par l'acide.
- c) **Éviter toute pénétration d'humidité.** Toute infiltration d'humidité risque de provoquer un court-circuit ainsi que des réactions chimiques, susceptibles d'entraîner des brûlures ou de provoquer un incendie.
- d) En cas d'utilisation abusive, du liquide peut sortir de la batterie/bloc-accu. **Éviter tout contact avec ce liquide. En cas de contact par inadvertance, rincer soigneusement avec de l'eau. Si le liquide rentre dans les yeux, les rincer abondamment à l'eau et consulter en plus un médecin.** Le liquide qui sort peut entraîner des irritations de la peau ou causer des brûlures.
- e) **N'utiliser aucun autre bloc-accu que ceux homologués pour l'appareil concerné.** En cas d'utilisation d'autres blocs-accus ou d'utilisation du bloc-accu à d'autres fins non conformes, il y a risque de feu et d'explosion.
- f) **Respecter les directives spécifiques relatives au transport, au stockage et à l'utilisation des blocs-accus Li-Ion.**
- g) **Tenir le bloc-accu ou le chargeur non utilisé à l'écart de tous objets métalliques tels que les agrafes, pièces de monnaie, clés, clous, vis ou autres, qui peuvent provoquer un pontage des contacts du bloc-accu ou du chargeur ou un court-circuit.** Un court-circuit entre les contacts du bloc-accu ou du chargeur peut provoquer des brûlures ou un incendie.
- h) **Éviter tout court-circuit dans le bloc-accu.** Avant d'insérer le bloc-accu, s'assurer que les contacts du bloc-accu et dans l'appareil sont exempts de corps étrangers. Si les contacts d'un bloc-accu sont court-circuités, il y a risque d'incendie, d'explosion et de brûlure par acide.
- i) **Les blocs-accus endommagés (par exemple des blocs-accus fissurés, dont certaines pièces sont cassées, dont les contacts sont déformés, rentrés et / ou sortis) ne doivent plus être chargés ni utilisés.**
- j) **Pour faire fonctionner l'appareil et charger le bloc-accu, utiliser uniquement le bloc d'alimentation au réseau PUA 81, la fiche pour allume-cigare PUA 82, ou d'autres dispositifs de charge recommandés par le constructeur.** Sinon, il y a risque d'endommager l'appareil. Un chargeur approprié à un type spécifique de bloc-accu peut engendrer un risque d'incendie lorsqu'il est utilisé avec d'autres blocs-accus.

5.3 Aménagement correct du poste de travail

- a) **Délimiter le périmètre de mesures.** Lors de l'installation de l'appareil, veiller à ne pas diriger le faisceau contre soi-même ni contre de tierces personnes.
- b) **Lors de travaux sur une échelle, éviter toute mauvaise posture. Veiller à toujours rester stable et à garder l'équilibre.**
- c) Les mesures réalisées à proximité de surfaces ou d'objets réfléchissants, à travers des vitres en verre ou tout autre matériau analogue peuvent fausser le résultat.
- d) **Veiller à installer l'appareil sur un support plan et stable (pour éviter toutes vibrations !).**
- e) **Utiliser l'appareil uniquement dans les limites d'application définies.**
- f) **En mode « Charge en cours de fonctionnement », veiller à bien fixer le bloc d'alimentation au réseau, par ex. sur un trépied.**
- g) L'utilisation de produits à d'autres fins que celles prévues peut entraîner des situations dangereuses. **Utiliser le produit, les accessoires, les outils à monter etc. conformément à ces instructions et aux prescriptions en vigueur pour ce type de produit. Tenir également compte des conditions de travail et du travail à effectuer.**
- h) **Il est interdit de travailler avec des mires graduées à proximité de lignes à haute tension.**

5.3.1 Compatibilité électromagnétique

REMARQUE

Uniquement pour la Corée : Cet appareil est uniquement conçu pour des ondes électromagnétiques survenant dans des zones d'habitation (classe B). Il est essentiellement prévu pour une utilisation dans des zones d'habitation, mais peut aussi être utilisé dans d'autres secteurs.

Bien que l'appareil réponde aux exigences les plus sévères des directives respectives, Hilti ne peut entièrement exclure la possibilité qu'un rayonnement très intense produise des interférences sur l'appareil et perturbe son fonctionnement. Dans ce cas ou en cas d'autres incertitudes, des mesures de contrôle doivent être effectuées pour vérifier la précision de l'appareil. De même, Hilti n'exclut pas la possibilité qu'il produise des interférences sur d'autres appareils (par ex. systèmes de navigation pour avions).

5.3.2 Classification du laser pour appareils de classe laser 2/Class II

Selon la version commercialisée, l'appareil est un appareil laser de classe 2 satisfaisant aux exigences des normes IEC60825-1:2007 / EN60825-1:2007 et Class II satisfaisant aux exigences de la norme CFR 21 § 1040 (FDA). Ces appareils peuvent être utilisés sans autre mesure de protection. L'œil est normalement protégé par le réflexe de clignement des paupières lorsque l'utilisateur regarde brièvement, par inadvertance, dans le faisceau laser. Ce réflexe peut néanmoins être altéré par la prise

de médicaments, d'alcool ou de drogues. Il est malgré tout conseillé, comme pour le soleil, d'éviter de regarder

directement dans la source lumineuse. Ne pas diriger le faisceau laser contre des personnes.

6 Mise en service

REMARQUE

L'appareil doit uniquement être utilisé avec les blocs-accus Hilti PRA 84 ou PRA 84G.

6.1 Mise en place du bloc-accu 2

ATTENTION

Avant d'insérer le bloc-accu dans l'appareil, s'assurer que les contacts du bloc-accu et les contacts de l'appareil sont exempts de tout corps étranger.

1. Faire glisser le bloc-accu dans l'appareil.
2. Tourner le verrouillage dans le sens des aiguilles d'une montre, jusqu'à ce que le symbole de verrouillage apparaisse.

6.2 Retrait du bloc-accu 2

1. Tourner le verrouillage dans le sens inverse des aiguilles d'une montre, jusqu'à ce que le symbole de déverrouillage apparaisse.
2. Extraire le bloc-accu de l'appareil.

6.3 Charge du bloc-accu



DANGER

Utiliser uniquement les blocs-accus et les blocs d'alimentation Hilti prévus, spécifiés sous « Accessoires ». L'utilisation d'appareils / blocs-accus visiblement endommagés n'est pas autorisée.

6.3.1 Première charge d'un bloc-accu neuf

Avant la première mise en service, charger complètement les blocs-accus.

REMARQUE

Ce faisant, vérifier que le système à charger soit en position stable.

6.3.2 Recharge d'un bloc-accu utilisé

1. Vérifier que les surfaces extérieures du bloc-accu sont propres et sèches.
2. Insérer le bloc-accu dans l'appareil.

REMARQUE Les blocs-accus Li-Ion sont toujours prêts à l'emploi, même lorsqu'ils sont partiellement chargés.

Lorsque l'appareil est allumé, la progression de la charge est indiquée par le biais de DEL.

6.4 Options de charge du bloc-accu



DANGER

Le bloc d'alimentation au réseau PUA 81 doit uniquement être utilisé à l'intérieur d'un bâtiment. Éviter toute pénétration d'humidité.

REMARQUE

Vérifier que la température recommandée est respectée en cours de charge (de 0 à 40 °C).

6.4.1 Charge du bloc-accu dans l'appareil 3

1. Insérer le bloc-accu dans le compartiment des piles (voir 6.1).
2. Tourner le dispositif de verrouillage jusqu'à ce que la prise de charge sur le bloc-accu soit visible.
3. Brancher la fiche du bloc d'alimentation au réseau ou la fiche pour allume-cigare dans le bloc-accu. Le bloc-accu est en cours de charge.
4. Mettre l'appareil en marche pour afficher l'état de charge lors du processus de charge.

6.4.2 Charge du bloc-accu hors de l'appareil 4

1. Extraire le bloc-accu (voir 6.2).
2. Brancher la fiche du bloc d'alimentation au réseau ou la fiche pour allume-cigare dans le bloc-accu. La DEL rouge sur le bloc-accu signale qu'il y a une activité de charge.

6.4.3 Charge du bloc-accu pendant le processus de charge 3

DANGER

Le fonctionnement en mode « Charge en cours de fonctionnement » n'est pas autorisé pour des utilisations à l'extérieur et dans un environnement humide.

ATTENTION

Éviter toute pénétration d'humidité. Toute infiltration d'humidité risque de provoquer un court-circuit ainsi que des réactions chimiques, susceptibles d'entraîner des brûlures ou de provoquer un incendie.

1. Tourner le dispositif de fermeture de sorte que la prise de charge sur le bloc-accu soit visible.

2. Insérer la fiche du bloc d'alimentation dans le bloc-accu.
L'appareil travaille pendant le processus de charge et l'état de charge est indiqué par les DEL sur l'appareil.

6.5 Utilisation soigneuse du bloc-accu

Stocker si possible le bloc-accu dans un endroit sec et frais. Ne jamais conserver le bloc-accu dans un endroit exposé au soleil, sur un appareil de chauffage ou derrière des vitres. Une fois arrivés au terme de leur durée de service, les blocs-accus doivent être éliminés conformément à la réglementation en vigueur et en toute sécurité.

6.6 Mise en marche de l'appareil

Appuyer sur l'interrupteur Marche / Arrêt.

REMARQUE

Après la mise en marche, l'appareil se met automatiquement à niveau. Lorsque la mise à niveau est terminée, le faisceau laser est mis en marche.

6.7 Témoins DEL

Voir chapitre 2 Description

6.8 Mise en place des piles dans le récepteur laser 8

DANGER

Ne pas utiliser de piles endommagées.

DANGER

Ne pas utiliser un mélange de piles neuves et anciennes. Ne pas utiliser de piles de différentes marques ou de types différents.

REMARQUE

Le récepteur laser doit uniquement être utilisé avec des piles qui ont été fabriquées en conformité aux normes internationales.

1. Ouvrir le compartiment des piles du récepteur laser.
2. Mettre en place les piles dans le récepteur laser.
REMARQUE Ce faisant, tenir compte de la polarité des piles !
3. Fermer le compartiment des piles.

fr

7 Utilisation



7.1 Vérification de l'appareil

Avant de procéder à des mesures importantes, vérifier la précision de l'appareil, en particulier s'il est tombé au sol ou s'il a été exposé à des sollicitations mécaniques inhabituelles (voir 8.6).

7.2 Mise en marche de l'appareil

Appuyer sur l'interrupteur Marche / Arrêt.

REMARQUE

Après la mise en marche, l'appareil se met automatiquement à niveau.

7.3 Travail avec le récepteur laser

Le récepteur laser peut être utilisé pour des distances (rayons) allant jusqu'à 300 m (1,000 ft). Le fonctionnement du faisceau laser est signalé optiquement et acoustiquement.

7.3.1 Travail avec un récepteur laser en tant que dispositif portatif

1. Appuyer sur l'interrupteur Marche / Arrêt.
2. Tenir le récepteur laser avec la fenêtre de détection directement dans le plan du faisceau laser rotatif.

7.3.2 Travail avec le récepteur laser dans le support de récepteur PRA 80 9

1. Ouvrir le dispositif de fermeture sur le PRA 80.

2. Installer le récepteur dans le support de récepteur PRA 80.
3. Fermer le dispositif de fermeture sur le PRA 80.
4. Mettre le récepteur en marche à l'aide de la touche Marche / Arrêt.
5. Ouvrir la poignée tournante.
6. Bien fixer le support de récepteur PRA 80 sur la tige télescopique ou de mise à niveau en fermant la poignée tournante.
7. Tenir le récepteur avec la fenêtre de détection directement dans le plan du faisceau laser rotatif.

7.3.3 Travail avec le récepteur laser dans le support de récepteur PRA 83 9

1. Pousser le récepteur de biais dans la housse en caoutchouc du PRA 83 jusqu'à ce que ce dernier entoure complètement le récepteur. Ce faisant, veiller à ce que la fenêtre de détection et les touches se trouvent sur la face avant.
2. Raccorder le récepteur avec la housse en caoutchouc à la poignée. La fixation magnétique maintient la housse et la poignée ensemble.
3. Mettre le récepteur en marche à l'aide de la touche Marche / Arrêt.
4. Ouvrir la poignée tournante.
5. Bien fixer le support de récepteur PRA 83 sur la tige télescopique ou de mise à niveau en fermant la poignée tournante.
6. Tenir le récepteur avec la fenêtre de détection directement dans le plan du faisceau laser rotatif.

7.3.4 Travail avec le dispositif de report de hauteur PRA 81

1. Ouvrir le dispositif de fermeture sur le PRA 81.
2. Placer le récepteur laser dans le dispositif de report de hauteur PRA 81.
3. Fermer le dispositif de fermeture sur le PRA 81.
4. Mettre le récepteur laser en marche à l'aide de la touche Marche / Arrêt.
5. Tenir le récepteur laser avec la fenêtre de détection directement dans le plan du faisceau laser rotatif.
6. Positionner le récepteur laser, de sorte que l'affichage de la distance indique « 0 ».
7. Mesurer la distance souhaitée à l'aide du mètre-ruban.

7.3.5 Réglage des unités

La touche des unités permet de régler la précision souhaitée de l'affichage numérique (mm/cm/désactivée).

7.3.6 Réglage du volume sonore

À la mise en marche du récepteur, le volume est réglé sur « normal ». Pour modifier le volume du signal sonore, appuyer sur la touche de réglage du volume. Quatre options sont possibles : « bas », « normal », « fort » et « désactivé ».

7.3.7 Options de menu

1. À la mise en marche de l'appareil du récepteur laser, appuyer sur la touche Marche / Arrêt pendant deux secondes.
L'affichage du menu apparaît dans la zone d'affichage.
2. Utiliser la touche des unités pour commuter entre les systèmes d'unités métrique et britannique.
3. Utiliser la touche de réglage du volume sonore pour attribuer la séquence de signal sonore plus rapide à la plage de détection supérieure ou inférieure.
4. Arrêter le récepteur laser pour enregistrer les réglages.

REMARQUE Les réglages effectués sont aussi conservés après la première mise en marche.

7.4 Désactivation de la fonction d'avertissement de choc

1. Mettre l'appareil en marche (voir 7.2).

2. Appuyer sur la touche de désactivation de l'avertissement de choc.
Si la DEL Désactivation de l'avertissement de choc est allumée en continu, la fonction est désactivée.
3. Pour retourner au mode standard, arrêter l'appareil et le redémarrer.

7.5 Travail horizontal

1. En fonction de l'application, monter l'appareil par ex. sur un trépied ; en guise d'alternative, le laser rotatif peut aussi être monté sur une fixation murale. L'angle d'inclinaison de la surface de charge peut être de $\pm 5^\circ$ au maximum.
2. Appuyer sur l'interrupteur Marche / Arrêt.
La DEL Mise à niveau automatique clignote en vert. Dès que la mise à niveau est atteinte, le faisceau laser est mis en marche, tourne à tr/min et la DEL Mise à niveau automatique est allumée en continu.

7.6 Travaux en mode Inclinaison (réglage manuel)

REMARQUE

Vérifier que l'adaptateur d'inclinaison est bien monté entre le trépied et l'appareil (voir le mode d'emploi PRA 79).

7.6.1 Installation

1. En fonction de l'application, monter l'adaptateur d'inclinaison PRA 79 par ex. sur un trépied.
2. Positionner le trépied, soit sur le bord supérieur, soit sur le bord inférieur du plan d'inclinaison.
3. Monter le laser rotatif sur l'adaptateur d'inclinaison et orienter l'appareil parallèlement au plan d'inclinaison. Le panneau de commande du PR 2-HS doit se trouver sur la face opposée au sens de l'inclinaison.
4. Vérifier que l'adaptateur d'inclinaison est en position de sortie (0°).

7.6.2 Mise en marche

1. Mettre l'appareil en marche (voir 7.2).
2. Appuyer sur la touche Mode Inclinaison manuel.
La DEL Mode Inclinaison s'allume sur le panneau de commande du laser rotatif.
L'appareil commence alors la mise à niveau automatique. Sitôt cette opération terminée, le laser se met en marche et commence à tourner.
3. Régler l'angle d'inclinaison souhaité sur l'adaptateur d'inclinaison.
4. Pour retourner au mode standard, arrêter l'appareil et le redémarrer.

8 Nettoyage et entretien

8.1 Nettoyage et séchage

1. Éliminer la poussière des ouvertures de sortie.
2. Ne pas toucher le verre avec les doigts.
3. Nettoyer uniquement avec un chiffon propre et doux ; humidifier avec un peu d'eau ou d'alcool pur, si besoin est.

REMARQUE Un matériel de nettoyage trop rugueux risque de rayer le verre et par conséquent, de nuire à la précision de l'appareil.

REMARQUE N'utiliser aucun autre liquide, car il pourrait attaquer les pièces en plastique.

4. Pour sécher l'équipement, veiller à respecter les valeurs limites de température telles qu'indiquées dans les caractéristiques techniques.

REMARQUE Veiller particulièrement en hiver/été à ne pas dépasser les valeurs limites de température, si p. ex. l'équipement reste à l'intérieur d'un véhicule.

8.2 Entretien du bloc-accu Li-Ion

REMARQUE

Contrairement aux blocs-accus NiCd ou NiMH, une recharge de régénération des blocs-accus Li-Ion n'est pas nécessaire.

REMARQUE

Une interruption du processus de charge ne réduit pas la longévité du bloc-accu.

REMARQUE

Le processus de charge peut à tout moment être démarré sans réduire la longévité. Il n'y a pas d'effet mémoire comme pour les blocs-accus NiCd ou NiMH.

REMARQUE

Les blocs-accus seront de préférence stockés complètement chargés et, si possible, dans un endroit sec et frais. Le stockage des blocs-accus à des températures élevées (p. ex. derrière des vitres) est défavorable, réduit la longévité des blocs-accus et augmente le taux d'autodécharge des éléments.

REMARQUE

Les blocs-accus perdent de leur capacité par vieillissement ou sollicitation excessive ; il ne peuvent alors plus être complètement chargés. Il est encore possible de travailler avec des blocs-accus vieillissants, mais ils doivent être renouvelés en temps voulu.

1. Éviter toute pénétration d'humidité.
2. Avant la première mise en service, charger complètement les blocs-accus.
3. Charger les blocs-accus sitôt que la puissance de l'appareil est réduite.

REMARQUE La durée de vie du bloc-accu sera d'autant plus longue s'il a été régulièrement chargé.

REMARQUE En cas de prolongation de l'utilisation de l'appareil, la décharge s'arrête automatiquement avant que les cellules ne risquent d'être endommagées.

4. Charger les blocs-accus à l'aide des chargeurs Hilti homologués pour les blocs-accus Li-Ion.

8.3 Stockage

1. Si l'appareil a été mouillé, le débarrasser. Sécher et nettoyer les appareils, conteneurs de transport et accessoires (en respectant la température de service). Ne remballer le matériel qu'une fois complètement sec.
2. Si le matériel est resté longtemps stocké ou s'il a été transporté sur une longue distance, vérifier sa précision (mesure de contrôle) avant de l'utiliser.
3. Avant tout dépôt prolongé, retirer le bloc-accu et les piles de l'appareil et du récepteur laser. Des blocs-accus et piles qui coulent risquent d'endommager l'appareil et le récepteur laser.

8.4 Transport

Pour transporter ou renvoyer le matériel, utiliser soit le coffret de livraison Hilti, soit tout autre emballage de même qualité.

ATTENTION

Avant de transporter ou d'expédier l'appareil, retirer le bloc-accu et les piles de l'appareil et du récepteur laser.

8.5 Calibrage par le Service de calibrage Hilti

Nous recommandons de confier régulièrement l'appareil au service de calibrage Hilti, pour pouvoir garantir la fiabilité selon les normes applicables et les réglementations en vigueur.

Le service de calibrage Hilti est toujours à la disposition des utilisateurs. Nous recommandons de faire calibrer l'appareil au moins une fois par an.

Le service de calibrage Hilti certifie qu'au jour du contrôle, les spécifications de l'appareil vérifié sont conformes aux caractéristiques techniques figurant dans le mode d'emploi.

En cas d'écart avec les indications du constructeur, l'appareil de mesure usagé est recalibré. Après l'ajustage et le contrôle, une plaquette de calibrage est apposée sur l'appareil et il est certifié par écrit, au moyen d'un certificat de calibrage, que l'appareil fonctionne dans les plages de caractéristiques indiquées par le constructeur. Les certificats de calibrage sont systématiquement requis pour les entreprises qui sont certifiées ISO 900X.

Un contact Hilti local vous renseignera volontiers d'avance.

8.6 Contrôle de la précision

REMARQUE

Pour que les caractéristiques techniques soient assurées, l'appareil doit être régulièrement contrôlé (au moins avant chaque travail important/décisif) !

REMARQUE

Les conditions suivantes permettent de conclure qu'un appareil est dans un bon état après une chute et qu'il fonctionne avec la même précision qu'avant la chute :

La hauteur de chute limite stipulée dans les caractéristiques n'a pas été dépassée.

L'appareil n'a pas subi de dommages mécaniques pendant la chute (p. ex. prisme Penta cassé).

L'appareil génère un faisceau laser rotatif lorsqu'il est utilisé.

L'appareil fonctionnait également bien avant la chute.

8.6.1 Contrôle des axes principal et transversal horizontaux

1. Disposer le trépied à environ 20 m du mur et orienter la tête du trépied à l'horizontale à l'aide d'un niveau à bulle.

2. Monter l'appareil sur le trépied et orienter la tête de l'appareil vers le mur en s'aidant de l'encoche de visée.
3. Capter un premier point (point 1) à l'aide du récepteur laser et le marquer sur le mur.
4. Tourner l'axe de l'appareil de 90° dans le sens des aiguilles d'une montre. Ce faisant, la hauteur de l'appareil ne doit pas être modifiée.
5. Capter un deuxième point (point 2) à l'aide du récepteur laser et le marquer sur le mur.
6. Répéter encore deux fois les étapes 4 et 5, puis capter les point 3 et point 4 à l'aide du récepteur et les marquer sur le mur.

Si l'opération a été effectuée avec exactitude, l'écartement vertical des deux points marqués, les points 1 et 3 (axe principal) ou les points 2 et 4 (axe transversal), doit être respectivement < 2 mm (pour 20 m). En cas d'écart plus important, l'appareil doit être envoyé au S.A.V. Hilti pour le calibrage.

9 Recyclage

AVERTISSEMENT

En cas de recyclage incorrect du matériel, les risques suivants peuvent se présenter :

la combustion de pièces en plastique risque de dégager des fumées et gaz toxiques nocifs pour la santé.

Les piles abîmées ou fortement échauffées peuvent exploser, causer des empoisonnements ou intoxications, des brûlures (notamment par acides), voire risquent de polluer l'environnement.

En cas de recyclage sans précautions, des personnes non autorisées risquent d'utiliser le matériel de manière incorrecte, voire de se blesser sérieusement, d'infliger de graves blessures à des tierces personnes et de polluer l'environnement.



Les appareils Hilti sont fabriqués pour une grande part en matériaux recyclables dont la réutilisation exige un tri correct. Dans de nombreux pays, Hilti est déjà équipé pour reprendre votre ancien appareil afin d'en recycler les composants. Consulter le service clients Hilti ou votre conseiller commercial.



Les piles doivent être éliminées conformément aux réglementations nationales en vigueur. Procéder au recyclage conformément à la préservation de l'environnement.

10 Garantie constructeur des appareils

Hilti garantit l'appareil contre tout vice de matières et de fabrication. Cette garantie s'applique à condition que l'appareil soit utilisé et manipulé, nettoyé et entretenu correctement, en conformité avec le mode d'emploi Hilti, et que l'intégrité technique soit préservée, c'est-à-dire sous réserve de l'utilisation exclusive de consommables, accessoires et pièces de rechange d'origine Hilti.

Cette garantie se limite strictement à la réparation gratuite ou au remplacement gracieux des pièces défectueuses pendant toute la durée de vie de l'appareil. Elle ne couvre pas les pièces soumises à une usure normale.

Toutes autres revendications sont exclues pour autant que des dispositions légales nationales impératives ne s'y opposent pas. En particulier, Hilti ne saurait être tenu pour responsable de toutes détériorations, pertes ou dépenses directes, indirectes, accidentelles ou consécutives, en rapport avec l'utilisation ou dues à une incapacité à utiliser l'appareil dans quelque but que ce soit. Hilti exclut en particulier les garanties implicites concernant l'utilisation et l'aptitude dans un but bien précis.

Pour toute réparation ou tout échange, renvoyer l'appareil ou les pièces concernées au réseau de vente Hilti compétent, sans délai, dès constatation du défaut.

La présente garantie couvre toutes les obligations d'Hilti et annule et remplace toutes les déclarations antérieures ou actuelles, de même que tous accords oraux ou écrits concernant des garanties.

11 Déclaration FCC (valable aux États-Unis) / Déclaration IC (valable au Canada)

Cet appareil est conforme au paragraphe 15 des dispositions FCC et RSS-210 de IC. La mise en service est soumise aux deux conditions suivantes :

Cet appareil ne devrait pas générer de rayonnements nuisibles.

L'appareil doit absorber toutes sortes de rayonnements, y compris les rayonnements entraînant des opérations indésirables.

REMARQUE

Toute modification ou tout changement subi par l'appareil et non expressément approuvé par Hilti peut limiter le droit de l'utilisateur à se servir de l'appareil.

fr

Láser rotatorio PR-2-HS

Lea detenidamente el manual de instrucciones antes de la puesta en servicio.

es

Conservar el manual de instrucciones siempre cerca de la herramienta.

En caso de traspaso a terceros, la herramienta siempre se debe entregar junto con el manual de instrucciones.

Índice	Página
1 Indicaciones generales	29
2 Descripción	29
3 Accesorios	31
4 Datos técnicos	32
5 Indicaciones de seguridad	34
6 Puesta en servicio	36
7 Manejo	37
8 Cuidado y mantenimiento	38
9 Reciclaje	40
10 Garantía del fabricante de las herramientas	40
11 Indicación FCC (válida en EE. UU.)/indicación IC (válida en Canadá)	41

1 Los números hacen referencia a las ilustraciones que pueden encontrarse en las páginas desplegadas correspondientes. Manténgalas desplegadas mientras estudia el manual de instrucciones.

En el texto de este manual de instrucciones, «la herramienta» o «el láser rotatorio» se refieren siempre al láser rotatorio PR 2-HS. «Receptor láser» o «receptor» se refiere siempre al receptor láser PRA 20 (02).

Láser rotatorio PR 2-HS **1**

- ① Rayo láser (superficie de rotación)
- ② Cabezal rotatorio
- ③ Empuñadura
- ④ Panel de control
- ⑤ Placa base con rosca de 5/8"
- ⑥ Batería de Ion-Litio PRA 84

Inserción y extracción de la batería **2**

- ① Batería de Ion-Litio PRA 84
- ② Compartimento para la batería
- ③ Bloqueo

Carga en la herramienta **3**

- ① Bloque de alimentación PUA 81
- ② Hembra de carga

Carga fuera de la herramienta **4**

- ① Bloque de alimentación PUA 81
- ② Conector de batería para automóvil PUA 82
- ③ LED de actividad de carga de la batería

Panel de control del láser rotatorio **5**

- ① Tecla de encendido/apagado
- ② LED de autonivelación
- ③ Tecla y LED de desactivación de la función de advertencia de choque
- ④ Tecla y LED del modo de inclinación manual
- ⑤ LED de indicación del estado de carga de la batería

Panel de control del receptor láser PRA 20 **6**

- ① Tecla de encendido/apagado
- ② Tecla de unidades
- ③ Tecla de volumen
- ④ Campo de detección
- ⑤ Muesca de marcado
- ⑥ Pantalla

Pantalla del receptor láser PRA 20 **7**

- ① Indicador de la posición del receptor respecto a la altura del plano del láser
- ② Indicador del estado de la batería
- ③ Indicador de distancia hasta el plano del láser
- ④ Indicador del volumen
- ⑤ Indicador de estado de carga baja de la batería del láser rotatorio

1 Indicaciones generales

1.1 Señales de peligro y su significado

PELIGRO

Término utilizado para un peligro inminente que puede ocasionar lesiones graves o incluso la muerte.

ADVERTENCIA

Término utilizado para una posible situación peligrosa que puede ocasionar lesiones graves o la muerte.

PRECAUCIÓN

Término utilizado para una posible situación peligrosa que puede ocasionar lesiones o daños materiales leves.

INDICACIÓN

Término utilizado para indicaciones de uso y demás información de interés.

1.2 Explicación de los pictogramas y otras indicaciones

Símbolos



Leer el manual de instrucciones antes del uso



Advertencia de peligro en general



Reciclar los materiales usados



No mirar el haz de luz



Utilizar solo en interiores



Advertencia de sustancias corrosivas



Advertencia de tensión eléctrica peligrosa



Advertencia de materiales explosivos



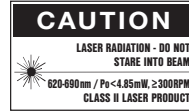
KCC-REM-
HLT-PR2HS

En la herramienta



Láser de clase 2 según IEC/EN 60825-1:2007

En la herramienta



Láser de clase II conforme a CFR 21, § 1040 (FDA)

Ubicación de los datos identificativos de la herramienta.

La denominación del modelo y la identificación de serie se indican en la placa de identificación de su herramienta. Anote estos datos en el manual de instrucciones e indíquelos siempre que tenga consultas para nuestros representantes o para el departamento del servicio técnico.

Modelo:

Generación: 01

N.º de serie:

2 Descripción

2.1 Uso conforme a las prescripciones

El PR 2-HS es un láser rotatorio con un rayo láser giratorio y visible. El láser rotatorio puede utilizarse en posición horizontal y para inclinaciones.

La herramienta ha sido diseñada para determinar, transmitir y comprobar referencias en planos horizontales e inclinados. Un ejemplo de aplicación es la transferencia de marcas métricas y trazados de altura. Esta herramienta ha sido diseñada para el usuario profesional y solo debe ser manejada, mantenida y reparada por personal autorizado y formado adecuadamente. Este personal debe estar especialmente instruido en lo referente a los riesgos de uso.

La herramienta y sus dispositivos auxiliares pueden conllevar riesgos para el usuario en caso de manejarse de forma inadecuada por personal no cualificado o utilizarse para usos diferentes a los previstos.

Disponemos de una amplia gama de accesorios para una aplicación óptima de la herramienta.

A fin de evitar el riesgo de lesiones, utilice exclusivamente accesorios y herramientas de Hilti.

Siga las indicaciones relativas al manejo, cuidado y mantenimiento que se describen en el manual de instrucciones. Tenga en cuenta las condiciones ambientales. No utilice la herramienta en lugares donde exista peligro de incendio o explosión.

No está permitido efectuar manipulaciones o modificaciones en la herramienta.

2.2 Características

Esta herramienta permite al usuario nivelar cualquier superficie con rapidez y precisión.

La nivelación se realiza automáticamente tras la conexión de la herramienta. El rayo no se conecta hasta que se haya alcanzado la precisión especificada.

Los LED indican el estado de funcionamiento correspondiente.

La herramienta funciona con baterías recargables de Ion-Litio, que también pueden recargarse durante el funcionamiento.

2.3 Medición digital de la distancia

El receptor láser muestra digitalmente la distancia entre el plano del láser y la muesca de marcado del receptor láser. De este modo, con un paso de trabajo puede determinarse con precisión milimétrica el punto en el que se encuentra la herramienta.

2.4 Plano horizontal

La alineación automática con respecto a un plano nivelado se produce por medio de dos servomotores integrados al conectar la herramienta.

2.5 Plano oblicuo (alineación manual en la inclinación deseada)

Las inclinaciones pueden regularse con el adaptador de inclinación PRA 79. Para más información al respecto, consulte la hoja adjunta al PRA 79.

2.6 Función de advertencia de choque

La función de advertencia de choque no se activa hasta dos minutos después de haberse realizado la nivelación tras conectar la herramienta. Si en el transcurso de estos dos minutos se pulsa una tecla, se reinicia el tiempo de espera de dos minutos. Si la herramienta se desnivela durante el funcionamiento (sacudida/golpe), pasa al modo de advertencia; todos los LED parpadean y el láser se desconecta (el cabezal deja de girar).

2.7 Desconexión automática

Si la herramienta se encuentra fuera de la zona de autonivelación ($\pm 5^\circ$) o está bloqueada mecánicamente, el láser no se enciende y los LED parpadean. La herramienta se puede colocar sobre un trípode con una rosca de 5/8" o apoyarse directamente sobre una superficie lisa y estable (sin vibraciones). Durante la nivelación automática de una o ambas direcciones, el servosistema comprueba que se mantenga la precisión especificada. La desconexión se produce cuando no se alcanza ninguna nivelación (herramienta fuera de la zona de nivelación o bloqueo mecánico) o bien si la herramienta se desnivela (véase el apartado «Función de advertencia de choque»).

INDICACIÓN

Si no se puede alcanzar la nivelación, el láser se desconecta y todos los LED parpadean.

2.8 Suministro

- 1 Láser rotatorio PR 2-HS
- 1 Receptor láser PRA 20 (02)
- 1 Soporte de receptor PRA 80 o PRA 83
- 1 Manual de instrucciones
- 1 Batería de Ion-Litio PRA 84
- 1 Bloque de alimentación PUA 81
- 2 Pilas (celdas AA)
- 2 Certificados del fabricante
- 1 Maletín Hilti

2.9 Indicadores del estado de funcionamiento

La herramienta dispone de los siguientes indicadores del estado de funcionamiento: LED de autonivelación, LED del estado de carga de la batería, LED de desactivación de la función de advertencia de choque y LED del modo de inclinación.

2.10 Indicadores LED

LED de autonivelación	El LED verde parpadea	La herramienta se encuentra en fase de nivelación
	El LED verde está encendido de forma constante	La herramienta está nivelada/funciona correctamente
LED de desactivación de la función de advertencia de choque	El LED naranja permanece encendido	La función de advertencia de choque está desactivada
LED del modo de inclinación	El LED naranja permanece encendido	El modo de inclinación manual está activado
Todos los LED	Todos los LED parpadeando	La herramienta ha recibido un golpe, ha perdido la nivelación o tiene un error

es

2.11 Estado de carga de la batería de Ion-Litio durante el funcionamiento

LED permanente	LED parpadeante	Estado de carga C
LED 1, 2, 3, 4	-	$C \geq 75 \%$
LED 1, 2, 3	-	$50 \% \leq C < 75 \%$
LED 1, 2	-	$25 \% \leq C < 50 \%$
LED 1	-	$10 \% \leq C < 25 \%$
-	LED 1	$C < 10 \%$

2.12 Estado de carga de la batería de Ion-Litio durante el proceso de carga en la herramienta

LED permanente	LED parpadeante	Estado de carga C
LED 1, 2, 3, 4	-	$C = 100 \%$
LED 1, 2, 3	LED 4	$75 \% \leq C < 100 \%$
LED 1, 2	LED 3	$50 \% \leq C < 75 \%$
LED 1	LED 2	$25 \% \leq C < 50 \%$
-	LED 1	$C < 25 \%$

2.13 El indicador de la actividad de carga de la batería de Ion-Litio durante el proceso de carga fuera de la herramienta

Si el LED rojo de la actividad de carga de la batería permanece encendido de forma constante, significa que la batería se está cargando.

Si no se ilumina el LED rojo de la actividad de carga de la batería, significa que el proceso de carga ha terminado o que el cargador no suministra corriente.

3 Accesorios

Denominación	Abreviatura
Receptor láser	PRA 20 (02)
Soporte de receptor	PRA 80
Soporte de receptor	PRA 83
Transmisor de altura	PRA 81
Adaptador de inclinación	PRA 79

Denominación	Abreviatura
Bloque de alimentación	PUA 81
Conector de batería para el automóvil	PUA 82
Batería	PRA 84
Batería	PRA 84G
Trípode	PUA 20
Trípode con manivela	PUA 30
Trípode con manivela	PA 921
Trípode automático	PRA 90
Reglas telescópicas	PUA 50, PUA 55

4 Datos técnicos

Reservado el derecho a introducir modificaciones técnicas.

PR 2-HS

Alcance de recepción (diámetro)	Con receptor láser PRA 20 (02): 2...600 m (6,56... 1.968,5 ft)
Precisión ¹	A 10 metros: ± 0,5 mm
Clase de láser	Clase 2, 620-690 nm; < 1 mW (EN 60825-1:2007/IEC 60825-1:2007); clase II (CFR 21 § 1040 [FDA]); potencia máxima < 4,85 mW a ≥ 300 rpm
Velocidad de rotación	300/min ±10 %
Rango de autonivelación	± 5°
Suministro de energía	Batería de iones de litio de 7,2 V/4,5 Ah
Autonomía de funcionamiento de la batería	Temperatura +25 °C (+77 °F), batería de iones de litio: ≥ 30 h
Temperatura de funcionamiento	-20... +50 °C (-4...+122 °F)
Temperatura de almacenamiento (en lugar seco)	-25... +60 °C (-13...+140 °F)
Clase de protección	IP 66 (según IEC 60529); no en el modo «Carga durante el funcionamiento»
Rosca del trípode	5/8" x 18
Peso (incluido PRA 84)	2,5 kg (5,51 lb)
Dimensiones (L x An x Al)	200 mm (7,87") x 200 mm (7,87") x 230 mm (9,06")
Altura del test de caída ²	1,5 m (4,92 ft)

¹ Algunas circunstancias como las fuertes fluctuaciones de temperatura, la presencia de humedad, golpes, caídas, etc., pueden afectar a la precisión de la herramienta. Si no se indica lo contrario, la herramienta ha sido ajustada y calibrada atendiendo a unas condiciones del entorno normales (MIL-STD-810G).

² El test de caída ha sido realizado desde el trípode sobre hormigón plano en condiciones normales del entorno de trabajo (MIL-STD-810G).

PRA 20 (02)

Detección de la zona de operación (diámetro)	Con PR 2-HS típico: 2...600 m (6,56... 1.968,5 ft)
Emisor de señal acústica	3 intensidades de sonido con la posibilidad de silenciar
Pantalla de cristal líquido	A ambos lados
Rango del indicador de distancia	± 52 mm

¹ El test de caída ha sido realizado en el soporte de receptor PRA 83 sobre hormigón plano en condiciones normales del entorno de trabajo (MIL-STD-810G).

Rango de indicación del plano del láser	± 0,5 mm
Longitud del campo de detección	120 mm (4,72")
Indicador del centro del borde superior de la carcasa	75 mm (2,95")
Muecas de marcado	A ambos lados
Tiempo de espera sin detecciones antes de la autodesconexión	15 min
Dimensiones (L × An × Al)	160 mm (6,3") × 67 mm (2,64") × 24 mm (0,94")
Peso (pilas incluidas)	0,25 kg (0,55 lb)
Suministro de energía	2 células AA
Vida útil de la batería	Temperatura +20 °C (+68 °F): aprox. 50 h (en función de la calidad de las pilas alcalinas de manganeso)
Temperatura de funcionamiento	-20...+50 °C (-4...+122 °F)
Temperatura de almacenamiento	-25...+60 °C (-13...+140 °F)
Clase de protección	IP 66 (según IEC 60529); excepto el compartimento para pilas
Altura del test de caída ¹	2 m (6,56 ft)

¹ El test de caída ha sido realizado en el soporte de receptor PRA 83 sobre hormigón plano en condiciones normales del entorno de trabajo (MIL-STD-810G).

Batería de Ion-Litio PRA 84

Tensión nominal (modo normal)	7,2 V
Tensión máxima (en funcionamiento o al cargar durante el funcionamiento)	13 V
Corriente nominal	140 mA
Tiempo de carga	Temperatura +32 °C (+90 °F): 2 h 10 min (batería cargada al 80 %)
Temperatura de funcionamiento	-20...+50 °C (-4...+122 °F)
Temperatura de almacenamiento (en lugar seco)	-25...+60 °C (-13...+140 °F)
Temperatura de carga (también durante el funcionamiento)	+0...+40 °C (+32...+104 °F)
Peso	0,3 kg (0,66 lb)
Dimensiones (L x An x Al)	160 mm (6,3") x 45 mm (1,77") x 36 mm (1,42")

Bloque de alimentación PUA 81

Suministro de corriente	115...230 V
Frecuencia de red	47...63 Hz
Potencia de referencia	36 W
Voltaje nominal	12 V
Temperatura de funcionamiento	+0...+40 °C (+32...+104 °F)
Temperatura de almacenamiento (en lugar seco)	-25...+60 °C (-13...+140 °F)
Peso	0,23 kg (0,51 lb)
Dimensiones (L x An x Al)	110 mm (4,33") x 50 mm (1,97") x 32 mm (1,26")

5 Indicaciones de seguridad

5.1 Observaciones básicas de seguridad

Además de las indicaciones técnicas de seguridad que aparecen en los distintos capítulos de este manual de instrucciones, también es imprescindible cumplir estrictamente las siguientes disposiciones.

5.2 Medidas de seguridad generales



- a) **No anule ninguno de los dispositivos de seguridad ni quite ninguna de las placas de indicación y de advertencia.**
- b) **Permanezca atento, preste atención durante el trabajo y utilice la herramienta con prudencia. No utilice la herramienta eléctrica si está cansado, ni tampoco después de haber consumido alcohol, drogas o medicamentos.** Un momento de descuido al utilizar la herramienta podría conllevar serias lesiones.
- c) Mantenga las herramientas láser alejadas de los niños.
- d) Si el atornillado de la herramienta no se realiza conforme a lo prescrito, puede generarse rayos láser que superen la clase 2 o 3. **Únicamente el departamento del servicio técnico Hilti está autorizado para reparar la herramienta.**
- e) **No utilice la herramienta en un entorno con peligro de explosión, en el que se encuentren combustibles líquidos, gases o material en polvo.** Las herramientas producen chispas que pueden llegar a inflamar los materiales en polvo o vapores.
- f) Indicación conforme a FCC §15.21: los cambios o ampliaciones no autorizados expresamente por Hilti pueden restringir el derecho del usuario a poner la herramienta en funcionamiento.
- g) Si se utiliza algún ajuste o manejo distinto a los aquí recogidos, o se lleva a cabo un procedimiento distinto, podría producirse una radiación peligrosa.
- h) **Compruebe la herramienta antes de su utilización. Si presentara daños, acuda al departamento del servicio técnico de Hilti para que la reparen.**
- i) **Cuide sus herramientas adecuadamente. Compruebe si las piezas móviles de la herramienta funcionan correctamente y sin atascarse, y si existen piezas rotas o deterioradas que pudieran afectar al funcionamiento de la herramienta. Encargue la reparación de las piezas defectuosas antes de usar la herramienta.** Muchos accidentes son consecuencia de un mantenimiento inadecuado de la herramienta.
- j) **Compruebe la precisión de la herramienta después de sufrir una caída u otros impactos mecánicos.**
- k) **Compruebe la herramienta antes de efectuar mediciones importantes.**
- l) **Compruebe la precisión varias veces durante su aplicación.**
- m) **Si la herramienta pasa de estar sometida a un frío intenso a un entorno más cálido o viceversa, aclimatela antes de empezar a utilizarla.**
- n) **Si utiliza adaptadores, asegúrese de que la herramienta esté bien atornillada.**
- o) **Para evitar errores de medición, mantenga limpio el cristal del orificio de salida del láser.**
- p) **Si bien la herramienta está diseñada para un uso en condiciones duras de trabajo, como lugares de construcción, debe tratarla con sumo cuidado, al igual que las demás herramientas ópticas y eléctricas (prismáticos, gafas, cámara fotográfica, etc.).**
- q) **Aunque la herramienta está protegida contra la humedad, séquela con un paño antes de introducirla en el contenedor de transporte.**
- r) **Mantenga los contactos eléctricos protegidos de la lluvia o la humedad.**
- s) **Utilice el bloque de alimentación únicamente conectado a la red de alimentación eléctrica.**
- t) **Asegúrese de que tanto la herramienta como el bloque de alimentación no suponen riesgo de lesiones ni caídas para los presentes.**
- u) **Procure que haya una buena iluminación en la zona de trabajo.**
- v) **Inspeccione regularmente los alargadores y sustitúyalos en caso de que estuvieran dañados. Si se daña el bloque de alimentación o el alargador durante el trabajo, evite tocar el bloque de alimentación. Extraiga el enchufe de red de la toma de corriente. Los cables de conexión y los alargadores dañados son un peligro porque pueden ocasionar una descarga eléctrica.**
- w) **Evite el contacto corporal con superficies que tengan puesta a tierra, como pueden ser tubos, calefacciones, cocinas y frigoríficos.** El riesgo a quedar expuesto a una descarga eléctrica es mayor si su cuerpo tiene contacto con el suelo.
- x) **Proteja el cable de conexión del calor, aceite y cantos afilados.**
- y) **No utilice nunca el bloque de alimentación si está sucio o mojado. El polvo adherido a la superficie del bloque de alimentación, sobre todo el de los materiales conductivos, o la humedad pueden producir descargas eléctricas bajo condiciones desfavorables. Por lo tanto, lleve a revisar periódicamente al servicio técnico de Hilti la herramienta sucia, sobre todo si se ha usado con frecuencia para cortar materiales conductivos.**
- z) **Evite tocar los contactos.**

5.2.1 Manipulación y utilización segura de las herramientas alimentadas por batería



- a) **No exponga las baterías a altas temperaturas ni tampoco las arroje al fuego.** Existe peligro de explosión.
- b) **Las baterías no se deben destruir, comprimir, calentar por encima de 75 °C o quemar.** En caso contrario existe peligro de abrasión, fuego y explosión.
- c) **Evite la penetración de humedad.** La humedad puede provocar un cortocircuito y reacciones químicas y, como consecuencia, quemaduras o fuego.
- d) El uso inadecuado de la pila/batería puede provocar fugas de líquido. **Evite el contacto con este líquido. En caso de contacto accidental, enjuague el área afectada con abundante agua. En caso de contacto con los ojos, aclárelos con agua abundante y consulte de inmediato a su médico.** El líquido de la batería puede irritar la piel o producir quemaduras.
- e) **Utilice solo las baterías Hilti previstas para su herramienta.** Si utiliza otras baterías o emplea la batería para otro fin, existe peligro de fuego y explosión.
- f) **Tenga en cuenta las directivas especiales en materia de transporte, almacenamiento y funcionamiento de las baterías de Ion-Litio.**
- g) **Cuando no utilice la batería o el cargador, guárdelos separados de clips, monedas, llaves, clavos, tornillos o demás objetos metálicos que pudieran puentear sus contactos.** El cortocircuito de los contactos de la batería o del cargador puede causar quemaduras o incendios.
- h) **Evite que se produzca un cortocircuito en la batería.** Antes de insertar la batería en la herramienta, compruebe que los contactos de ambas estén libres de cuerpos extraños. Si se produce un cortocircuito en los contactos de la batería, existe peligro de abrasión, fuego y explosión.
- i) **Las baterías dañadas (p. ej. baterías con grietas, piezas rotas o contactos doblados y/o extraídos) no deben cargarse ni seguir utilizándose.**
- j) **Para manejar la herramienta y cargar la batería utilice únicamente el bloque de alimentación PUA 81, el conector de batería para automóvil PUA 82 u otros cargadores recomendados por el fabricante.** De lo contrario, existe riesgo de dañar la herramienta. La carga de baterías en un cargador destinado a otro tipo de baterías puede provocar incendios.

5.3 Organización segura del lugar de trabajo

- a) **Asegure la posición del medidor láser y compruebe que el rayo no está orientado hacia Ud. u otras personas al colocar la herramienta.**

- b) **Durante el trabajo con los conductores, procure no adoptar posturas forzadas. Procure que la postura sea estable y manténgase siempre en equilibrio.**
- c) Las mediciones efectuadas cerca de objetos o superficies reflectantes, a través de lunas de cristal o de materiales similares pueden alterar el resultado de la medición.
- d) **Asegúrese de que la herramienta descansa sobre una base lisa y estable (exenta de vibraciones).**
- e) **Utilice la herramienta solo dentro de los límites de aplicación definidos.**
- f) **Al trabajar en modo «Carga durante el funcionamiento», fije el bloque de alimentación de forma segura, por ejemplo sobre un trípode.**
- g) El uso de productos para aplicaciones distintas a las previstas puede resultar peligroso. **Utilice el producto, accesorios, útiles, etc., de acuerdo con estas instrucciones y de la manera indicada específicamente para este tipo de producto. Para ello, tenga en cuenta las condiciones de trabajo y la tarea que se va a realizar.**
- h) **No se permite trabajar con reglas de nivelación cerca de cables de alta tensión.**

5.3.1 Compatibilidad electromagnética

INDICACIÓN

Solo para Corea: esta herramienta es apropiada para las ondas electromagnéticas que se producen en el área de la vivienda (clase B). Ha sido especialmente diseñada para aplicaciones en el área de la vivienda, aunque puede emplearse también en otras áreas.

Si bien la herramienta cumple los estrictos requisitos de las Directivas pertinentes, Hilti no puede excluir la posibilidad de que la herramienta se vea afectada por una radiación intensa que pudiera ocasionar un funcionamiento inadecuado. En este caso o ante otras irregularidades, deben realizarse mediciones de control. Hilti tampoco puede excluir la posibilidad de que otros aparatos resulten afectados (p. ej., los dispositivos de navegación de los aviones).

5.3.2 Clasificación de láser para herramientas de la clase 2/class II

En función de la versión adquirida, la herramienta corresponde a la clase de láser 2 conforme a IEC60825-1:2007/EN60825-1:2007 y a la clase II según CFR 21 § 1040 (FDA). Estas herramientas se pueden utilizar sin ninguna medida de protección adicional. El reflejo de cierre del párpado actúa de protección para los ojos en caso de dirigir la vista hacia el rayo láser de forma breve y casual. No obstante, este reflejo de cierre del párpado puede verse afectado negativamente por la influencia de medicamentos, alcohol o drogas. Al igual que no se debe mirar directamente al sol, tampoco debe mirarse hacia la fuente de luz. No apunte con el rayo láser hacia terceras personas.

6 Puesta en servicio

INDICACIÓN

La herramienta únicamente se debe accionar con las baterías Hilti PRA 84 o PRA 84G.

6.1 Inserción de la batería 2

PRECAUCIÓN

Antes de insertar la batería en la herramienta, asegúrese de que los contactos de la batería y los contactos de la herramienta estén libres de cuerpos extraños.

1. Inserte la batería en la herramienta.
2. Gire el bloqueo en sentido horario hasta que aparezca el símbolo de bloqueo.

6.2 Extracción de la batería 2

1. Gire el bloqueo en sentido contrario a las agujas del reloj hasta que aparezca el símbolo de desbloqueo.
2. Extraiga la batería de la herramienta.

6.3 Carga de la batería



PELIGRO

Utilice únicamente las baterías y los bloques de alimentación de Hilti que figuran en «Accesorios». No está permitido el uso de herramientas/bloques de alimentación visiblemente dañados.

6.3.1 Primera carga de una batería nueva

Cargue por completo las baterías antes de la primera puesta en servicio.

INDICACIÓN

Al hacerlo, asegúrese de que el sistema que va a cargar está apoyado de forma segura.

6.3.2 Nueva carga de una batería

1. Asegúrese de que las superficies externas de la batería están limpias y secas.
2. Introduzca la batería en la herramienta.
INDICACIÓN Las baterías de Ion-Litio están listas para funcionar en cualquier momento, incluso con un estado de carga parcial.
Con la herramienta encendida, el progreso de la carga se indica por medio de los LED.

6.4 Opciones de carga de la batería



PELIGRO

El bloque de alimentación PUA 81 solo puede utilizarse dentro de un edificio. Evite la penetración de humedad.

INDICACIÓN

Asegúrese de que se respeta la temperatura recomendada durante la carga (0 hasta 40 °C).

6.4.1 Carga de la batería en la herramienta 3

1. Coloque la batería en el compartimento correspondiente (véase 6.1).
2. Gire el bloqueo hasta que la hembra de carga de la batería quede visible.
3. Inserte el conector del bloque de alimentación o el conector de batería para automóvil en la batería. La batería se carga.
4. Para visualizar el estado de carga durante este proceso, solo hay que encender la herramienta.

6.4.2 Carga de la batería fuera de la herramienta 4

1. Extraiga la batería (véase 6.2).
2. Una el conector del bloque de alimentación o el conector de batería para automóvil con la batería. El LED rojo de la batería señala que hay actividad de carga.

6.4.3 Carga de la batería durante el funcionamiento 3

PELIGRO

El funcionamiento en modo «Carga durante el funcionamiento» no está permitido para el uso en el exterior ni en entornos húmedos.

PRECAUCIÓN

Evite la penetración de humedad. La humedad puede provocar un cortocircuito y reacciones químicas y, como consecuencia, quemaduras o fuego.

1. Gire el cierre hasta que la hembra de carga de la batería quede visible.
2. Inserte el conector del bloque de alimentación en la batería.
La herramienta trabaja durante el proceso de carga y el estado de carga de la batería se indica por medio de los LED en la herramienta.

6.5 Trato cuidadoso de las baterías

Guarde las baterías en un lugar lo más fresco y seco posible. No guarde nunca las baterías en un lugar expuesto al sol, sobre un radiador o detrás de una luna de cristal. Al finalizar su vida útil, las baterías deben eliminarse de forma adecuada y segura respetando el medio ambiente.

6.6 Conexión de la herramienta

Pulse la tecla de encendido/apagado.

INDICACIÓN

Tras el encendido, la herramienta comienza la nivelación automática. Con la nivelación completa se conecta el rayo láser.

6.7 Indicadores LED

Véase el capítulo 2, «Descripción»

6.8 Inserción de las pilas en el receptor láser B

PELIGRO

No utilice pilas que estén dañadas.

PELIGRO

No mezcle pilas nuevas con otras usadas. No utilice pilas de varios fabricantes o con denominaciones de modelo diferentes.

INDICACIÓN

Solo está permitido utilizar el receptor láser con pilas fabricadas de acuerdo con las normativas internacionales.

1. Abra el compartimento para pilas del receptor láser.
2. Inserte las pilas en el receptor láser.

INDICACIÓN Respete la polaridad de las pilas al colocarlas.

3. Cierre el compartimento para pilas.

7 Manejo



7.1 Comprobación de la herramienta

Compruebe la precisión de la herramienta antes de hacer mediciones importantes, especialmente después de haber caído al suelo o de haber estado expuesta a influencias mecánicas poco habituales (véase 8.6).

7.2 Conexión de la herramienta

Pulse la tecla de encendido/apagado.

INDICACIÓN

Tras el encendido, la herramienta comienza la nivelación automática.

7.3 Procedimiento de trabajo con el receptor láser

El receptor láser se puede emplear para distancias (radios) de hasta 300 m (1,000 ft). La activación del rayo láser se indica de forma óptica y acústica.

7.3.1 Procedimiento de trabajo con el receptor de láser como herramienta de mano

1. Pulse la tecla de encendido/apagado.
2. Sujete el receptor láser con la ventana de detección directamente en el plano del rayo láser rotatorio.

7.3.2 Procedimiento de trabajo con el receptor láser en el soporte para receptor PRA 80

1. Abra el cierre del PRA 80.
2. Coloque el receptor en el soporte de receptor PRA 80.
3. Cierre el PRA 80.

4. Conecte el receptor con la tecla de encendido/apagado.
5. Abra la empuñadura giratoria.
6. Fije el soporte para receptor PRA 80 de forma segura a la barra telescópica o de nivelación cerrando la empuñadura giratoria.
7. Sujete el receptor con la ventana de detección directamente en el plano del rayo láser rotatorio.

7.3.3 Procedimiento de trabajo con el receptor láser en el soporte para receptor PRA 83

1. Empuje el receptor oblicuamente en la funda de goma del PRA 83 hasta que esta envuelva completamente el receptor. Preste atención a que la ventana de detección y las teclas se encuentren en la parte delantera.
2. Conecte el receptor conjuntamente con la funda de goma a la empuñadura. El soporte magnético une entre sí la funda y la empuñadura.
3. Conecte el receptor con la tecla de encendido/apagado.
4. Abra la empuñadura giratoria.
5. Fije el soporte del receptor PRA 83 de forma segura a la barra telescópica o de nivelación cerrando la empuñadura giratoria.
6. Sujete el receptor con la ventana de detección directamente en el plano del rayo láser rotatorio.

7.3.4 Procedimiento de trabajo con el transmisor de altura PRA 81

1. Abra el cierre del PRA 81.
2. Coloque el receptor láser en el transmisor de altura PRA 81.
3. Cierre el PRA 81.

4. Conecte el receptor láser con la tecla de encendido/apagado.
5. Sujete el receptor láser con la ventana de detección directamente en el plano del rayo láser rotatorio.
6. Ubique el receptor láser de forma que el indicador de distancia muestre «0».
7. Mida con la cinta métrica la distancia deseada.

7.3.5 Ajuste de unidades

Mediante la tecla de unidades puede ajustar la precisión deseada de la pantalla digital (mm/cm/apagado).

7.3.6 Ajuste del volumen

Al encender el receptor, el volumen está ajustado a «normal». Puede modificarse pulsando la tecla de volumen. Las cuatro opciones de configuración son «bajo», «normal», «alto» y «desconectado».

7.3.7 Opciones de menú

1. Al encender el receptor láser, mantenga pulsada la tecla de encendido/apagado durante dos segundos. El menú aparece en la pantalla.
2. Utilice la tecla de unidades para cambiar entre unidades métricas y angloamericanas.
3. Utilice la tecla de volumen para asignar la secuencia más rápida de la señal acústica a la zona de detección superior o inferior.
4. Apague el receptor láser para guardar los ajustes.
INDICACIÓN Todos los ajustes seleccionados se mantendrán en el siguiente encendido.

7.4 Desactivación de la función de advertencia de choque

1. Encienda la herramienta (véase 7.2).
2. Pulse la tecla de desactivación de la función de advertencia de choque.
Si el LED de desactivación de la función de advertencia de choque permanece encendido de forma constante, indica que la función está desactivada.
3. Para regresar al modo estándar debe apagar y volver a encender la herramienta.

7.5 Procedimiento de trabajo en horizontal

1. Dependiendo de la aplicación, monte la herramienta, p. ej., sobre un trípode; también puede montar el láser rotatorio sobre un aplique de fijación a la pared. El ángulo de inclinación de la superficie de contacto puede ascender como máximo a $\pm 5^\circ$.
2. Pulse la tecla de encendido/apagado.
El LED de autonivelación parpadea en verde.
Una vez lograda la nivelación, se conecta el rayo láser, comienza a rotar y el LED de autonivelación se ilumina de manera constante.

7.6 Procedimiento de trabajo con inclinación (ajuste manual)

INDICACIÓN

Asegúrese de que el adaptador de inclinación está montado correctamente entre el trípode y la herramienta (véase el manual de instrucciones PRA 79).

7.6.1 Emplazamiento

1. Dependiendo de la aplicación, monte, p. ej., el adaptador de inclinación PRA 79 sobre un trípode.
2. Posicione el trípode sobre el borde superior o bien sobre el borde inferior del plano de inclinación.
3. Monte el láser rotatorio sobre el adaptador de inclinación y oriente la herramienta paralelamente respecto al plano de inclinación. El panel de control del PR 2-HS debería encontrarse en el lado opuesto de la dirección de inclinación.
4. Asegúrese de que el adaptador de inclinación está en la posición de salida (0°).

7.6.2 Conexión

1. Encienda la herramienta (véase 7.2).
2. Pulse la tecla «Modo de inclinación manual».
En el panel de control del láser rotatorio se ilumina ahora el LED del modo de inclinación.
La herramienta comienza ahora con la nivelación automática. En cuanto haya concluido, el láser se conecta y empieza a rotar.
3. Ahora, introduzca el ángulo de inclinación deseado en el adaptador de inclinación.
4. Para regresar al modo estándar debe apagar y volver a encender la herramienta.

8 Cuidado y mantenimiento

8.1 Limpieza y secado

1. Elimine el polvo de las ventanas de salida soplando.
2. No toque el cristal con los dedos.
3. En la limpieza, utilice solo paños limpios y suaves. En caso necesario, humedézcalos con alcohol puro o con un poco de agua.
INDICACIÓN Un material de limpieza muy áspero podría arañar el cristal, con la consecuente pérdida de precisión de la herramienta.
INDICACIÓN No utilice ninguna otra clase de líquido, ya que podría afectar a las piezas de plástico.

4. Seque su equipo respetando los valores límite de temperatura que se indican en los datos técnicos.
INDICACIÓN Preste especial atención en invierno/verano a los valores límite de temperatura en caso de conservar su equipo, por ejemplo, en el interior de un vehículo.

8.2 Cuidado de las baterías de Ion-Litio

INDICACIÓN

No es necesario refrescar las baterías de Ion-Litio, como sucede con las de NiCd o NiMH.

INDICACIÓN

Una interrupción del proceso de carga no reduce la vida útil de la batería.

INDICACIÓN

El proceso de carga puede reiniciarse en cualquier momento sin que disminuya la vida útil. No existe un efecto memoria como ocurre con las baterías de NiCd o NiMH.

INDICACIÓN

Las baterías deben guardarse en un estado de carga completa, a ser posible en un lugar fresco y seco. No se recomienda guardar las baterías a una temperatura ambiente alta (por ejemplo, detrás de ventanas), ya que reduce su vida útil y propicia la descarga automática de las celdas.

INDICACIÓN

Las baterías pierden capacidad a causa del envejecimiento o del uso excesivo; entonces ya no pueden cargarse completamente. Puede seguir trabajando con baterías viejas, pero debería sustituirlas en el momento oportuno.

1. Evite la penetración de humedad.
2. Cargue por completo las baterías antes de la primera puesta en servicio.
3. Cargue las baterías en cuanto el rendimiento de la herramienta disminuya claramente.

INDICACIÓN Una carga efectuada a tiempo aumenta la durabilidad de las baterías.

INDICACIÓN Si se sigue utilizando la batería, la descarga finaliza automáticamente antes de que las celdas resulten dañadas, y la herramienta se desconecta.

4. Cargue la batería con cargadores Hilti autorizados para baterías de Ion-Litio.

8.3 Almacenamiento

1. Desempaquete las herramientas que se hayan humedecido. Seque las herramientas, el contenedor de transporte y los accesorios (teniendo en cuenta la temperatura de servicio) y límpielos. No vuelva a empaquetar el equipo hasta que esté completamente seco.
2. Lleve a cabo una medición de control antes de su utilización si la herramienta ha estado almacenada o ha sido transportada durante un período prolongado.
3. En caso de tiempos de almacenamiento prolongados, extraiga las baterías y las pilas de la herramienta y del receptor láser. La herramienta y el receptor láser pueden dañarse a causa de los derrames de las baterías y de las pilas.

8.4 Transporte

Para el transporte o el envío de su equipo, utilice el maletín de envío Hilti o un embalaje equivalente.

PRECAUCIÓN

Antes del transporte o envío, saque las baterías y las pilas de la herramienta y del receptor láser.

8.5 Calibración por medio del servicio de calibrado de Hilti

Se recomienda encargar una inspección periódica de la herramienta al servicio de calibrado de Hilti para que quede garantizada la fiabilidad conforme a las normas y requisitos legales pertinentes.

El servicio de calibrado de Hilti está a su disposición en todo momento. Le recomendamos que encargue calibrar la herramienta al menos una vez al año.

Dentro de las directrices del servicio de calibrado, Hilti garantiza que las especificaciones de la herramienta inspeccionada se correspondan con los datos técnicos del manual de instrucciones en el día concreto de la inspección.

En caso de diferencias respecto a las especificaciones del fabricante, se volverá a configurar de nuevo la herramienta de medición. Una vez realizado el ajuste y la comprobación, en la herramienta se coloca un distintivo de calibrado en el que se certifica que la herramienta funciona conforme a las especificaciones del fabricante. Los certificados de calibrado son indispensables para empresas que se rigen por la normativa ISO 900X.

Cualquier persona de contacto de Hilti de su zona le proporcionará más información con mucho gusto.

8.6 Comprobación de la precisión

INDICACIÓN

A fin de poder cumplir las especificaciones técnicas, la herramienta debería revisarse regularmente (como mínimo antes de cada trabajo de gran volumen o relevancia).

INDICACIÓN

Bajo las siguientes condiciones se puede partir de la base de que una herramienta funcionará perfectamente después de una caída y con la misma precisión que antes:

Durante la caída no se ha sobrepasado la altura indicada en los datos técnicos.

La herramienta no se ha dañado mecánicamente durante la caída (p. ej., rotura del pentaprisma).

La herramienta genera un rayo láser rotatorio durante la operación de trabajo.

La herramienta también funcionaba perfectamente antes de la caída.

8.6.1 Comprobación de los ejes horizontales principal y transversal

1. Coloque el trípode aproximadamente a 20 m de una pared y alinee el cabezal de este en posición horizontal con un nivel de burbuja de aire.
2. Monte la herramienta sobre el trípode y alinee el cabezal de la herramienta con la pared por medio de la muesca.
3. Capture un punto (punto 1) con ayuda del receptor láser y márquelo en la pared.
4. Gire la herramienta 90° en torno a su eje en sentido horario. Al hacerlo, no puede modificarse la altura de la herramienta.
5. Capture un segundo punto (punto 2) con ayuda del receptor láser y márquelo en la pared.
6. Repita los pasos 4 y 5 otras dos veces para capturar el punto 3 y el punto 4 con ayuda del receptor y marcarlos en la pared.
Si se ha procedido correctamente, la distancia vertical entre los puntos 1 y 3 marcados (eje principal) o los puntos 2 y 4 (eje transversal) debería ser < 2 mm (en 20 m). Si la distancia es mayor, envíe la herramienta al servicio técnico de Hilti para su calibración.

ES

9 Reciclaje

ADVERTENCIA

Una eliminación no reglamentaria del equipamiento puede tener las siguientes consecuencias:

Si se queman las piezas de plástico se generan gases tóxicos que pueden afectar a las personas.

Si las pilas están dañadas o se calientan en exceso pueden explotar y ocasionar intoxicaciones, incendios, causticaciones o contaminación del medio ambiente.

Si se realiza una evacuación imprudente, el equipo puede caer en manos de personas no autorizadas que hagan un uso inadecuado del mismo. Esto generaría el riesgo de provocar lesiones al usuario o a terceros, así como la contaminación del medio ambiente.



Gran parte de las herramientas Hilti están fabricadas con materiales reutilizables. La condición para dicha reutilización es una separación de materiales adecuada. En muchos países, Hilti ya dispone de un servicio de recogida de la herramienta usada. Póngase en contacto con el servicio de atención al cliente de Hilti o con su asesor de ventas.



Deseche las pilas conforme a la normativa nacional. Contribuya al cuidado del medio ambiente.

10 Garantía del fabricante de las herramientas

Hilti garantiza la herramienta suministrada contra todo fallo de material y de fabricación. Esta garantía se otorga a condición de que la herramienta sea utilizada, manejada, limpiada y revisada en conformidad con el manual de instrucciones de Hilti, y de que el sistema técnico sea salvaguardado, es decir, que se utilicen en la herramienta exclusivamente consumibles, accesorios y piezas de recambio originales de Hilti.

Esta garantía abarca la reparación gratuita o la sustitución sin cargo de las piezas defectuosas durante toda la vida útil de la herramienta. La garantía no cubre las piezas sometidas a un desgaste normal.

Quedan excluidas otras condiciones que no sean las expuestas, siempre que esta condición no sea contraria a las prescripciones nacionales vigentes.

Hilti no acepta la responsabilidad especialmente en relación con deterioros, pérdidas o gastos directos, indirectos, accidentales o consecutivos, en relación con la utilización o a causa de la imposibilidad de utilización de la herramienta para cualquiera de sus finalidades. Quedan excluidas en particular todas las garantías tácitas relacionadas con la utilización y la idoneidad para una finalidad precisa.

Para toda reparación o recambio, les rogamos que envíen la herramienta o las piezas en cuestión a la dirección de su organización de venta Hilti más cercana inmediatamente después de la constatación del defecto.

Estas son las únicas obligaciones de Hilti en materia de garantía, las cuales anulan toda declaración anterior o contemporánea, del mismo modo que todos los acuerdos orales o escritos en relación con las garantías.

11 Indicación FCC (válida en EE. UU.)/indicación IC (válida en Canadá)

Esta herramienta está sujeta al apartado 15 de las disposiciones FCC y al RSS-210 de la normativa IC. La puesta en servicio está sujeta a las dos condiciones siguientes:

Esta herramienta no debe generar ninguna radiación nociva para la salud.

La herramienta debe absorber cualquier tipo de radiación, incluso las provocadas por operaciones no deseadas.

INDICACIÓN

Las modificaciones o ampliaciones no autorizadas expresamente por Hilti pueden restringir el derecho del usuario a poner la herramienta en funcionamiento.

es

Laser rotativo PR-2-HS

Antes de utilizar a ferramenta, por favor leia atentamente o manual de instruções.

Conserve o manual de instruções sempre junto da ferramenta.

Entregue a ferramenta a outras pessoas apenas juntamente com o manual de instruções.

Índice	Página
1 Informações gerais	43
2 Descrição	43
3 Acessórios	45
4 Características técnicas	46
5 Normas de segurança	48
6 Antes de iniciar a utilização	50
7 Utilização	51
8 Conservação e manutenção	52
9 Reciclagem	54
10 Garantia do fabricante - Ferramentas	54
11 Declaração FCC (aplicável nos EUA)/Declaração IC (aplicável no Canadá)	55

1 Estes números referem-se a figuras. Estas encontram-se nas contracapas desdobráveis. Ao ler as instruções, mantenha as contracapas abertas.

Neste manual de instruções, o termo "ferramenta" ou "laser rotativo" refere-se sempre ao laser rotativo PR 2-HS. "Receptor laser" ou "receptor" refere-se sempre ao receptor laser PRA 20 (02).

Laser rotativo PR 2-HS 1

- 1 Raio laser (plano de rotação)
- 2 Cabeça rotativa
- 3 Punho
- 4 Painel de controlo
- 5 Placa base com rosca 5/8"
- 6 Bateria de iões de lítio (Li-Ion) PRA 84

Encaixar e retirar a bateria 2

- 1 Bateria de iões de lítio (Li-Ion) PRA 84
- 2 Compartimento da bateria
- 3 Travamento

Carregar na ferramenta 3

- 1 Módulo de rede PUA 81
- 2 Tomada de carga

Carregar fora da ferramenta 4

- 1 Módulo de rede PUA 81
- 2 Carregador de isqueiro PUA 82
- 3 LED para actividade de carregamento da bateria

Painel de controlo do laser rotativo 5

- 1 Tecla Ligar/Desligar
- 2 LED para nivelamento automático
- 3 Tecla e LED para desactivação da função de aviso de choque
- 4 Tecla e LED para modo de inclinação manual
- 5 LED para indicação do estado de carga da bateria

Painel de controlo do receptor laser PRA 20 6

- 1 Tecla Ligar/Desligar
- 2 Tecla de unidades
- 3 Tecla de volume
- 4 Campo de detecção
- 5 Entalhe marcador
- 6 Visor gráfico

Visor gráfico do receptor laser PRA 20 7

- 1 Indicação da posição do receptor em relação à altura ao plano do laser
- 2 Indicação de estado da bateria
- 3 Indicação da distância ao plano do laser
- 4 Indicação do volume
- 5 Indicação para baixa estado de carga do acumulador do laser rotativo

1 Informações gerais

1.1 Indicações de perigo e seu significado

PERIGO

Indica perigo iminente que pode originar acidentes pessoais graves ou até mesmo fatais.

AVISO

Indica uma situação potencialmente perigosa que pode causar graves ferimentos pessoais, até mesmo fatais.

CUIDADO

Indica uma situação potencialmente perigosa que pode originar ferimentos ligeiros ou danos na ferramenta ou noutros materiais.

NOTA

Indica instruções ou outras informações úteis.

1.2 Significado dos pictogramas e outras notas

Símbolos



Leia o manual de instruções antes de utilizar a ferramenta.



Perigo geral



Recicle os desperdícios



Não olhe fixamente para o raio laser



Apenas para utilização no interior de edifícios



Perigo: substâncias corrosivas



Perigo: electricidade



Aviso: substâncias explosivas



KCC-REM-
HLT-PR2HS

Na ferramenta



Laser da classe 2 de acordo com a norma IEC/EN 60825-1:2007

Na ferramenta



Laser class II according CFR 21, § 1040 (FDA)

Localização da informação na ferramenta

A designação e o número de série da ferramenta encontram-se na placa de características. Anote estes dados no seu manual de instruções e faça referência a estas indicações sempre que necessitar de qualquer peça/acessório para a ferramenta.

Tipo: _____

Geração: 01 _____

Número de série: _____

2 Descrição

2.1 Utilização correcta

O PR 2-HS é um laser rotativo constituído por um raio laser visível em rotação. O laser rotativo pode ser utilizado na horizontal e para inclinações.

A ferramenta foi concebida para a determinação, transferência e verificação de referências em planos horizontais e inclinados. Exemplos de aplicação são a transferência de planos de referência e de altura. A ferramenta foi concebida para uso profissional e só deve ser utilizada, mantida e reparada por pessoal autorizado e devidamente credenciado. Estas pessoas deverão ser informadas sobre os potenciais perigos que a ferramenta representa.

A ferramenta e seu equipamento auxiliar podem representar perigo se usados incorrectamente por pessoas não qualificadas ou se usados para fins diferentes daqueles para os quais foram concebidos.

Colocamos à sua disposição uma vasta gama de acessórios.

Para evitar ferimentos, use apenas acessórios e instrumentos originais Hilti.
Leia as instruções contidas neste manual sobre utilização, conservação e manutenção da ferramenta.
Considere as influências ambientais. Não utilize a ferramenta onde possa existir risco de incêndio ou explosão.
Não é permitida a modificação ou manipulação da ferramenta.

2.2 Características

Esta ferramenta permite que uma pessoa nivele qualquer plano rapidamente e com elevada precisão.
O nivelamento é efectuado automaticamente depois de se ligar a ferramenta. O raio só é ligado quando estiver alcançada a precisão especificada.

LEDs indicam o estado de funcionamento correspondente.

A ferramenta utiliza baterias de íões de lítio recarregáveis, que também podem ser carregadas durante o funcionamento.

2.3 Medição digital da distância

O receptor laser indica, sob forma digital, a distância entre o plano do laser e o entalhe marcador do receptor laser. Deste modo é possível determinar com um passo de trabalho a respectiva posição com precisão milimétrica.

2.4 Plano horizontal

O alinhamento automático a um plano nivelado decorre através de dois servomotores integrados, depois de se ligar a ferramenta.

2.5 Plano inclinado (alinhamento manual na inclinação pretendida)

As inclinações podem ser ajustadas com auxílio do adaptador de inclinação PRA 79. Informações mais pormenorizadas sobre a utilização podem ser consultadas no suplemento ao PRA 79.

2.6 Função de aviso de choque

A função de aviso de choque só é activada dois minutos depois de efectuado o nivelamento depois de se ligar a ferramenta. Se durante esses 2 minutos for pressionada uma tecla, o período de espera de dois minutos recomeça. Se a ferramenta sair do nível durante o funcionamento (vibração/choque), muda para o modo de aviso; todos os LEDs piscam, o laser desliga-se (a cabeça deixou de rodar).

2.7 Desactivação automática

O raio laser não liga e os LEDs piscam quando a ferramenta é montada fora da sua faixa de nivelamento automático ($\pm 5^\circ$) ou quando a rotação bloqueou mecanicamente. A ferramenta pode ser montada sobre tripés com rosca 5/8" ou directamente sobre uma base plana e estável (não sujeita a vibrações!). Durante o nivelamento automático de uma ou de ambas as direcções, o sistema servo verifica a conformidade com a precisão especificada. A ferramenta desliga-se quando é impossível conseguir o nivelamento (a ferramenta foi montada fora da sua faixa de nivelamento ou bloqueou mecanicamente) ou quando a ferramenta sai do nível durante o funcionamento (consultar o capítulo "Função de aviso de choque").

NOTA

Quando o nivelamento não puder ser alcançado, o raio laser desliga e todos os LEDs piscam.

2.8 Incluído no fornecimento

- 1 Laser rotativo PR 2-HS
- 1 Receptor laser PRA 20 (02)
- 1 Suporte de receptor PRA 80 ou PRA 83
- 1 Manual de instruções
- 1 Bateria de íões de lítio (Li-Ion) PRA 84
- 1 Módulo de rede PUA 81
- 2 Pilhas (tipo AA)
- 2 Certificados do fabricante
- 1 Mala Hilti

2.9 Indicadores do estado de funcionamento

A ferramenta possui os seguintes indicadores do estado de funcionamento: LED para nivelamento automático, LED para estado de carga do acumulador, LED para desactivação da função de aviso de choque e LED para modo de inclinação

2.10 Indicadores (LED)

LED para nivelamento automático	O LED verde pisca.	A ferramenta encontra-se na fase de nivelamento.
	O LED verde está sempre aceso.	A ferramenta está nivelada/a funcionar correctamente.
LED para desactivação da função de aviso de choque	O LED cor-de-laranja está sempre aceso.	A função de aviso de choque está desactivada.
LED para modo de inclinação	O LED cor-de-laranja está sempre aceso.	O modo de inclinação manual está activado.
Todos os LEDs	Todos os LEDs piscam.	Foi dado um toque na ferramenta, esta perdeu o nivelamento ou está com algum erro.

pt

2.11 Estado de carga da bateria de iões de lítio durante o funcionamento

LED permanentemente aceso	LED a piscar	Estado de carga C
LED 1, 2, 3, 4	-	$C \geq 75\%$
LED 1, 2, 3	-	$50\% \leq C < 75\%$
LED 1, 2	-	$25\% \leq C < 50\%$
LED 1	-	$10\% \leq C < 25\%$
-	LED 1	$C < 10\%$

2.12 Estado de carga da bateria de iões de lítio durante o processo de carregamento na ferramenta

LED permanentemente aceso	LED a piscar	Estado de carga C
LED 1, 2, 3, 4	-	$C = 100\%$
LED 1, 2, 3	LED 4	$75\% \leq C < 100\%$
LED 1, 2	LED 3	$50\% \leq C < 75\%$
LED 1	LED 2	$25\% \leq C < 50\%$
-	LED 1	$C < 25\%$

2.13 Indicação da actividade de carregamento na bateria de iões de lítio durante o processo de carregamento fora do aparelho

Se o LED vermelho da actividade de carregamento da bateria estiver continuamente aceso, a bateria está a ser carregada.

Se o LED vermelho da actividade de carregamento da bateria não acender, o processo de carregamento está concluído ou o carregador não fornece corrente.

3 Acessórios

Designação	Sigla
Receptor laser	PRA 20 (02)
Suporte do receptor	PRA 80
Suporte do receptor	PRA 83
Ferramenta para transferência de alturas	PRA 81

Designação	Sigla
Adaptador de inclinação	PRA 79
Módulo de rede	PUA 81
Carregador de isqueiro	PUA 82
Bateria	PRA 84
Bateria	PRA 84 G
Tripé	PUA 20
Tripé de manivela	PUA 30
Tripé de manivela	PA 921
Tripé automático	PRA 90
Escalas telescópicas	PUA 50, PUA 55

4 Características técnicas

Reservamo-nos o direito de proceder a alterações técnicas!

PR 2-HS

Alcance da recepção (diâmetro)	Com receptor laser PRA 20 (02): 2...600 m (6,56... 1 968,5 ft)
Precisão ¹	a 10 metros: ±0,5 mm
Classe laser	Classe 2, 620-690 nm; < 1 mW (EN 60825-1:2007 / IEC 60825-1:2007); class II (CFR 21 § 1040 (FDA)); potência máxima < 4,85 mW a ≥ 300 rpm
Velocidade de rotação	300/min ±10%
Amplitude de nivelamento automático	±5°
Alimentação eléctrica	Bateria de iões de lítio (Li-Ion) 7,2 V/4,5 Ah
Autonomia da bateria	Temperatura +25 °C (+77 °F), Bateria de iões de lítio (Li-Ion): ≥ 30 h
Temperatura de funcionamento	-20... +50 °C (-4... +122 °F)
Temperatura de armazenamento (em lugar seco)	-25... +60 °C (-13... +140 °F)
Classe de protecção	IP 66 (de acordo com IEC 60529); não no modo "Carregar durante o funcionamento"
Rosca do tripé	5/8" x 18
Peso (incluindo o PRA 84)	2,5 kg (5,51 lb)
Dimensões (C x L x A)	200 mm (7,87") x 200 mm (7,87") x 230 mm (9,06")
Altura do ensaio de queda ²	1,5 m (4,92 ft)

¹ Influências como variações muito grandes da temperatura, humidade, choque, queda, etc., podem afectar a precisão. A ferramenta foi ajustada ou calibrada, salvo indicação em contrário, sob condições ambientais normalizadas (MIL-STD-810G).

² O ensaio de queda foi realizado a partir do tripé sobre betão plano sob condições ambientais normalizadas (MIL-STD-810G).

PRA 20 (02)

Faixa de utilização da detecção (diâmetro)	com PR 2-HS, tipicamente: 2...600 m (6,56... 1 968,5 ft)
Emissor de sinais acústicos	3 volumes com possibilidade de supressão
Visor de cristal líquido	Em ambos os lados
Faixa da indicação da distância	±52 mm

¹ O ensaio de queda foi realizado dentro do suporte de receptor PRA 83 sobre betão plano sob condições ambientais normalizadas (MIL-STD-810G).

Faixa de indicação do plano do laser	±0,5 mm
Comprimento do campo de detecção	120 mm (4,72")
Indicação do centro a partir do bordo superior da carcaça	75 mm (2,95")
Entalhes marcadores	Em ambos os lados
Tempo de espera sem detecções antes da desactivação automática	15 min
Dimensões (C × L × A)	160 mm (6,3") × 67 mm (2,64") × 24 mm (0,94")
Peso (incluindo pilhas)	0,25 kg (0,55 lb)
Alimentação eléctrica	2 pilhas AA
Vida útil das pilhas	Temperatura +20 °C (+68 °F): aprox. 50 h (depende da qualidade das pilhas alcalinas)
Temperatura de funcionamento	-20...+50 °C (-4...+122 °F)
Temperatura de armazenamento	-25...+60 °C (-13...+140 °F)
Classe de protecção	IP 66 (de acordo com IEC 60529); excepto compartimento das pilhas
Altura do ensaio de queda ¹	2 m (6,56 ft)

¹ O ensaio de queda foi realizado dentro do suporte de receptor PRA 83 sobre betão plano sob condições ambientais normalizadas (MIL-STD-810G).

Bateria de iões de lítio (Li-Ion) PRA 84

Tensão nominal (modo normal)	7,2 V
Tensão máxima (em funcionamento ou ao carregar durante o funcionamento)	13 V
Corrente nominal	140 mA
Tempo de carregamento	Temperatura +32 °C (+90 °F): 2 h 10 min (bateria 80% carregada)
Temperatura de funcionamento	-20...+50 °C (-4...+122 °F)
Temperatura de armazenamento (em lugar seco)	-25...+60 °C (-13...+140 °F)
Temperatura de carga (também no carregamento em funcionamento)	+0...+40 °C (+32...+104 °F)
Peso	0,3 kg (0,66 lb)
Dimensões (C x L x A)	160 mm (6,3") x 45 mm (1,77") x 36 mm (1,42")

Módulo de rede PUA 81

Alimentação pela rede eléctrica	115...230 V
Frequência	47...63 Hz
Potência nominal	36 W
Tensão nominal	12 V
Temperatura de funcionamento	+0...+40 °C (+32...+104 °F)
Temperatura de armazenamento (em lugar seco)	-25...+60 °C (-13...+140 °F)
Peso	0,23 kg (0,51 lb)
Dimensões (C x L x A)	110 mm (4,33") x 50 mm (1,97") x 32 mm (1,26")

5 Normas de segurança

5.1 Informação básica no que se refere às normas de segurança

Além das regras especificamente mencionadas em cada capítulo deste manual de instruções, deve observar sempre os pontos a seguir indicados.

5.2 Medidas gerais de segurança



- pt
- a) Não torne os equipamentos de segurança ineficazes nem retire avisos e informações.
 - b) Esteja alerta, observe o que está a fazer, e tenha prudência ao trabalhar com a ferramenta. Não use a ferramenta se estiver cansado ou sob a influência de drogas, álcool ou medicamentos. Um momento de distração ao operar a ferramenta pode causar ferimentos graves.
 - c) Mantenha as crianças afastadas dos aparelhos laser.
 - d) Uma abertura incorrecta da ferramenta pode originar a emissão de radiação laser que exceda a Classe 2 ou 3. **Caso necessite de reparação, faça-o somente num Centro de Assistência Técnica Hilti.**
 - e) **Não opere com a ferramenta em ambientes explosivos ou na proximidade de líquidos ou gases inflamáveis.** Ferramentas produzem faíscas que podem provocar a ignição de pó e vapores.
 - f) (Indicação de acordo com FCC §15.21): Alterações ou modificações à ferramenta que não sejam expressamente aprovadas pela Hilti podem limitar o direito do utilizador em operar com esta ferramenta.
 - g) Se forem utilizados outros dispositivos de comando e de ajuste que os indicados ou efectuados outros procedimentos, pode ocorrer exposição perigosa ao feixe.
 - h) **Verifique a ferramenta antes de a utilizar. Se constatar danos, a ferramenta deverá ser reparada num Centro de Assistência Técnica Hilti.**
 - i) **Garanta uma manutenção regular da sua ferramenta. Verifique se as partes móveis da ferramenta funcionam perfeitamente e não emperram, se há peças quebradas ou danificadas, que possam influenciar o funcionamento da ferramenta. Peças danificadas devem ser reparadas antes da utilização da ferramenta.** Muitos acidentes são causados por ferramentas com manutenção deficiente.
 - j) **Se a ferramenta sofreu uma queda ou foi submetida a qualquer outra força mecânica, deverá verificar a sua precisão.**
 - k) **Verifique a ferramenta antes de efectuar medições importantes.**
 - l) **Verifique a precisão várias vezes durante a utilização.**
 - m) **Quando existem consideráveis diferenças de temperatura, permita que a ferramenta se adapte à temperatura ambiente antes de iniciar a sua utilização.**

- n) **Quando utilizar adaptadores, certifique-se de que a ferramenta está completamente fixa.**
- o) **Para evitar medições inexactas, mantenha as janelas de saída do laser limpas.**
- p) **Embora a ferramenta tenha sido concebida para trabalhar sob árduas condições nas obras, esta deve ser manuseada com cuidado, à semelhança do que acontece com qualquer outro equipamento óptico e eléctrico (como, por exemplo, binóculos, óculos, máquina fotográfica).**
- q) **Embora na sua concepção se tenha prevenido a entrada de humidade, a ferramenta deve ser limpa antes de ser guardada na mala de transporte.**
- r) **Os contactos eléctricos não devem ser expostos à chuva nem à humidade.**
- s) **Utilize o módulo de rede apenas na rede eléctrica.**
- t) **Posicione a ferramenta de forma que o módulo de rede não represente risco de tropeção.**
- u) **Assegure-se de que o local está bem iluminado.**
- v) **Verifique as extensões de cabo regularmente. Se estiverem danificadas, deverão ser substituídas. Se danificar o módulo de rede ou o cabo enquanto trabalha, não toque no módulo de rede. Desligue a máquina da corrente.** Linhas de conexão e extensões danificadas representam um risco de choque eléctrico.
- w) **Evite o contacto do corpo com superfícies ligadas à terra, como, por exemplo, canos, radiadores, fogões e frigoríficos.** Existe um risco elevado de choque eléctrico se o corpo estiver em contacto com a terra.
- x) **Não exponha o cabo de alimentação a calor, óleo ou arestas afiadas.**
- y) **Nunca utilize o módulo de rede se este estiver húmido ou sujo.** Humidade ou sujidade na superfície do módulo de rede dificultam o seu manuseio e, sob condições desfavoráveis, podem causar choques eléctricos. Deste modo, as ferramentas utilizadas frequentemente para trabalhar materiais condutores e consequentemente muito sujas, devem ser verificadas num Centro de Assistência Técnica Hilti a intervalos regulares.
- z) Evite tocar nos contactos da bateria.

5.2.1 Utilização e manutenção de ferramentas com bateria



- a) **Mantenha as baterias afastadas de temperaturas elevadas e do fogo.** Existe risco de explosão.
- b) **As baterias não podem ser desmanteladas, esmagadas, aquecidas acima dos 75 °C ou incineradas.** Caso contrário, existe risco de fogo, explosão ou queimadura por ácido cáustico.

- c) **Evite a entrada de humidade.** A humidade infiltrada pode provocar um curto-circuito e reacções químicas e originar queimaduras ou um incêndio.
- d) Utilizações inadequadas podem provocar derrame do líquido da pilha/bateria. **Evite o contacto com este líquido. No caso de contacto accidental, enxágue imediatamente com água. Em caso de contacto do líquido com os olhos, lave-os abundantemente com água e procure auxílio médico.** O líquido derramado pode provocar irritações ou queimaduras da pele.
- e) **Não use quaisquer outras baterias excepto as aprovadas para a respectiva ferramenta.** A utilização de outras baterias ou a utilização das baterias para outras finalidades pode originar risco de fogo e explosão.
- f) **Observe as regras específicas sobre transporte, armazenagem e utilização de baterias de iões de lítio.**
- g) **Quando a bateria ou o carregador não estiver em uso, mantenha-os afastados de outros objectos de metal, como, por exemplo, cliques, moedas, chaves, pregos, parafusos, ou outros pequenos objectos metálicos que possam ligar em ponte os contactos da bateria ou do carregador.** Um curto-circuito entre os contactos da bateria ou do carregador pode causar queimaduras ou incêndio.
- h) **Evite um curto-circuito na bateria.** Antes de encaixar a bateria na ferramenta, verifique que os contactos da bateria e na ferramenta estão livres de corpos estranhos. Se os contactos de uma bateria forem curto-circuitados, existe risco de incêndio, explosão e de corrosão.
- i) **Baterias danificadas (por exemplo, com fissuras, peças partidas, contactos dobrados, empurrados para trás e/ou puxados para fora) não podem ser carregadas nem continuar a ser utilizadas.**
- j) **Para operar a ferramenta e carregar a bateria utilize apenas o módulo de rede PUA 81, o carregador de isqueiro PUA 82 ou outros carregadores recomendados pelo fabricante.** Caso contrário, existe o perigo de a ferramenta se danificar. Num carregador adequado para um determinado tipo de bateria existe perigo de incêndio se for utilizado para outras baterias.

5.3 Organização do local de trabalho

- a) **Demarque a área de medição. Evite apontar o raio na direcção de outras pessoas ou na sua direcção enquanto estiver a preparar o equipamento.**
- b) **Evite posições perigosas se trabalhar sobre uma escada. Mantenha uma posição de trabalho segura e equilibrada.**

- c) Medições na proximidade de objectos ou superfícies reflectores(as), através de vidros ou materiais semelhantes podem falsear o resultado.
- d) **Certifique-se de que a ferramenta é montada numa superfície plana/regular (não sujeita a vibrações!).**
- e) **Não exceda os limites definidos para esta ferramenta.**
- f) **Fixe bem o módulo de rede sobre um tripé, por exemplo, quando trabalha no modo "Carregar durante o funcionamento".**
- g) A utilização de produtos para fins diferentes dos preconizados pode resultar em situações perigosas. **Utilize o produto, os acessórios, os utensílios, etc., de acordo com estas instruções e da forma prevista para este tipo especial de produto. Tome também em consideração as condições de trabalho e o trabalho a ser efectuado.**
- h) **Não é permitido trabalhar com escalas de medição na proximidade de linhas de alta tensão.**

5.3.1 Compatibilidade electromagnética

NOTA

Apenas para a Coreia: Esta ferramenta é adequada para ondas electromagnéticas que ocorrem em instalações residenciais (Classe B). Foi projectada essencialmente para aplicações em instalações residenciais, mas também pode ser aplicada em outros ambientes.

Embora a ferramenta esteja de acordo com todas as directivas e regulamentações obrigatórias, a Hilti não pode excluir totalmente a hipótese de a ferramenta poder sofrer mau funcionamento devido a interferências causadas por radiação muito intensa. Nestas circunstâncias, deverá fazer medições comprovativas. A Hilti também não pode excluir totalmente a hipótese de outros equipamentos poderem sofrer interferências (p. ex., equipamentos de navegação aérea).

5.3.2 Classificação laser para ferramentas da Classe 2/Class II

Conforme a versão comercializada, a ferramenta corresponde a um laser da classe 2, segundo as normas IEC 60825-1:2007/EN 60825-1:2007, e de Class II, segundo as normas CFR 21 § 1040 (FDA). Esta ferramenta pode ser utilizada sem que seja necessário o recurso a outras medidas de protecção especiais. O reflexo automático de fechar a pálpebra protege os olhos do raio laser, caso alguém olhe inadvertidamente para este. No entanto, este reflexo pode ser influenciado negativamente pelo uso de medicamentos, álcool ou drogas. Tal como acontece com o sol, deve evitar-se olhar directamente para a fonte de luz. Não dirija o raio laser na direcção de pessoas.

6 Antes de iniciar a utilização

NOTA

A ferramenta só pode ser operada com as baterias Hilti PRA 84 ou PRA 84 G.

6.1 Encaixar a bateria 2

CUIDADO

Antes de inserir a bateria na ferramenta, certifique-se de que os contactos da bateria e os contactos na ferramenta estão livres de corpos estranhos.

1. Empurre a bateria para dentro da ferramenta.
2. Rode o travamento no sentido dos ponteiros do relógio até surgir o símbolo de travamento.

6.2 Retirar a bateria 2

1. Rode o travamento no sentido contrário ao dos ponteiros do relógio até surgir o símbolo de destravamento.
2. Retire a bateria da ferramenta.

6.3 Carregar a bateria



PERIGO

Use apenas as baterias e módulos de rede Hilti indicados em "Acessórios". Não é permitida a utilização de ferramentas/módulos de rede visivelmente danificados.

6.3.1 Primeiro carregamento de uma bateria nova

As baterias devem ser completamente carregadas antes da primeira utilização.

NOTA

Ao fazê-lo, providencie uma posição segura do sistema a carregar.

6.3.2 Novo carregamento de uma bateria

1. Certifique-se de que as superfícies exteriores da bateria estão limpas e secas.
2. Introduza a bateria na ferramenta.
NOTA Baterias de íons de lítio estão operacionais em qualquer momento, mesmo estando apenas parcialmente carregadas.
Na ferramenta ligada, o progresso de carregamento é indicado através de LEDs.

6.4 Opções para carregar a bateria



PERIGO

O módulo de rede PUA 81 só pode ser utilizado dentro de um edifício. Evite a entrada de humidade.

NOTA

Assegure-se de que a temperatura recomendada (0 a 40 °C) é mantida durante a carga.

6.4.1 Carregar a bateria na ferramenta 3

1. Coloque a bateria no respectivo compartimento (consultar 6.1).
2. Rode o travamento até que a tomada de carga na bateria fique visível.
3. Encaixe a ficha do módulo de rede ou do carregador de isqueiro na bateria.
A carregar a bateria.
4. Ligue a ferramenta para indicar o estado de carga durante o carregamento.

6.4.2 Carregar a bateria fora da ferramenta 4

1. Retire a bateria (consultar 6.2).
2. Ligue a ficha do módulo de rede ou do carregador de isqueiro à bateria.
O LED vermelho na bateria sinaliza actividade de carregamento.

6.4.3 Carregar a bateria durante o funcionamento 3

PERIGO

A operação no modo "Carregar durante o funcionamento" não é permitida para utilizações em exteriores e em ambiente húmido.

CUIDADO

Evite a entrada de humidade. A humidade infiltrada pode provocar um curto-circuito e reacções químicas e originar queimaduras ou um incêndio.

1. Rode o fecho até que a tomada de carga na bateria fique visível.
2. Encaixe a ficha do módulo de rede na bateria.
A ferramenta trabalha durante o processo de carregamento e o estado de carga do acumulador é indicado através dos LEDs na ferramenta.

6.5 Utilização da bateria e sua manutenção

Guarde as baterias em local fresco e seco. Nunca guarde baterias em locais em que estas possam estar sujeitas a exposição solar, em cima de radiadores ou por trás de um vidro. Baterias no final da sua vida útil devem ser recicladas de acordo com as normas em vigor, para evitar poluição ambiental.

6.6 Ligar a ferramenta

Pressione a tecla Ligar/Desligar.

NOTA

A ferramenta inicia o nivelamento automático depois de ter sido ligada. O raio laser é desligado quando o nivelamento estiver concluído.

6.7 Indicadores LED

Consultar o capítulo 2, "Descrição"

6.8 Colocar as pilhas no receptor laser 8

PERIGO

Não utilize pilhas danificadas.

PERIGO

Não misture pilhas novas com pilhas usadas. Não misture pilhas de fabricantes diferentes ou de diferentes tipos.

NOTA

O receptor laser só pode ser operado com pilhas que foram produzidas de acordo com normas internacionais.

1. Abra o compartimento das pilhas do receptor laser.
2. Coloque as pilhas no receptor laser.

NOTA Ao inserir, preste atenção à polaridade das pilhas!

3. Feche o compartimento das pilhas.

pt

7 Utilização



7.1 Verificar a ferramenta

Verifique a precisão da ferramenta antes de efectuar medições importantes, especialmente depois de esta ter sofrido uma queda ou ter estado exposta a forças mecânicas não habituais (consultar 8.6).

7.2 Ligar a ferramenta

Pressione a tecla Ligar/Desligar.

NOTA

A ferramenta inicia o nivelamento automático depois de ter sido ligada.

7.3 Trabalhar com o receptor laser

O receptor laser pode ser utilizado para distâncias (raios) até 300 m (1000 pés). A indicação do raio laser ocorre de forma óptica e acústica.

7.3.1 Trabalhar com o receptor laser como ferramenta manual

1. Pressione a tecla Ligar/Desligar.
2. Coloque o receptor laser com a janela de detecção directamente no plano do raio laser em rotação.

7.3.2 Trabalhar com o receptor laser no suporte de receptor PRA 80 9

1. Abra o fecho no PRA 80.
2. Insira o receptor no suporte PRA 80.
3. Feche o fecho no PRA 80.
4. Ligue o receptor através da tecla Ligar/Desligar.
5. Abra o punho rotativo.
6. Fixe bem o suporte de receptor PRA 80 à vara telescópica ou de nivelamento fechando o punho rotativo.
7. Coloque o receptor com a janela de detecção directamente no plano do raio laser em rotação.

7.3.3 Trabalhar com o receptor laser no suporte de receptor PRA 83 9

1. Pressione o receptor obliquamente para dentro do invólucro de borracha do PRA 83 até que este envolva por completo o receptor. Preste atenção para que a janela de detecção e as teclas se encontrem na face dianteira.
2. Encaixe o receptor em conjunto como o invólucro de borracha na peça de fixação. O suporte magnético une o invólucro à peça de fixação.
3. Ligue o receptor através da tecla Ligar/Desligar.
4. Abra o punho rotativo.
5. Fixe bem o suporte de receptor PRA 83 à vara telescópica ou de nivelamento fechando o punho rotativo.
6. Coloque o receptor com a janela de detecção directamente no plano do raio laser em rotação.

7.3.4 Trabalhar com o transferidor de cotas PRA 81 9

1. Abra o fecho no PRA 81.
2. Insira o receptor laser no transferidor de cotas PRA 81.
3. Feche o fecho no PRA 81.
4. Ligue o receptor laser através da tecla Ligar/Desligar.
5. Coloque o receptor laser com a janela de detecção directamente no plano do raio laser em rotação.
6. Posicione o receptor laser de modo que a indicação da distância mostre "0".
7. Efectue a medição da distância pretendida com ajuda da fita métrica.

7.3.5 Definição das unidades

Através da tecla de unidades pode definir a precisão pretendida da indicação digital (mm/cm/desligado).

7.3.6 Ajuste do volume

Ao ligar o receptor, o volume está ajustado para "normal". O volume pode ser alterado pressionando a tecla de

volume. Pode escolher entre as quatro opções "Baixo", "Normal", "Alto" e "Desligado".

7.3.7 Opções de menu

1. Ao ligar o receptor laser, pressione a tecla Ligar/Desligar durante dois segundos. No visor surge a indicação do menu.
2. Use a tecla de unidades para alternar entre unidades métricas e anglo-americanas.
3. Use a tecla de volume para atribuir a sequência mais rápida do sinal acústico à faixa de detecção superior ou inferior.
4. Desligue o receptor laser para guardar as definições.
NOTA Cada definição escolhida também é válida após a activação seguinte.

7.4 Desactivar a função de aviso de choque

1. Ligue a ferramenta (consultar 7.2).
2. Pressione a tecla para desactivação da função de aviso de choque.
O facto de o LED para desactivação da função de aviso de choque estar sempre aceso indica que a função está desactivada.
3. Para regressar ao modo predefinido, desligue e volte a ligar a ferramenta.

7.5 Trabalhar no plano horizontal

1. Monte a ferramenta de acordo com a aplicação desejada, por exemplo, num tripé. Em alternativa, também pode montar o laser rotativo num suporte de parede. O ângulo de inclinação da superfície de apoio não pode exceder $\pm 5^\circ$.

2. Pressione a tecla Ligar/Desligar.
O LED para nivelamento automático verde pisca. Logo que seja alcançado o nivelamento, o raio laser liga-se, roda e o LED para nivelamento automático está permanentemente aceso.

7.6 Trabalhar com inclinação (ajuste manual)

NOTA

Certifique-se de que o adaptador de inclinação está montado correctamente entre o tripé e a ferramenta (consultar o manual de instruções do PRA 79).

7.6.1 Montagem

1. Monte num tripé o adaptador de inclinação PRA 79, por exemplo, de acordo com a aplicação desejada.
2. Posicione o tripé ou sobre a aresta superior ou sobre a inferior do plano inclinado.
3. Monte o laser rotativo sobre o adaptador de inclinação e alinhe a ferramenta paralela ao plano inclinado. O painel de controlo do PR 2-HS deve encontrar-se do lado contrário do sentido da inclinação.
4. Certifique-se de que o adaptador de inclinação se encontra na posição de partida (0°).

7.6.2 Ligar

1. Ligue a ferramenta (consultar 7.2).
2. Carregue na tecla do modo de inclinação manual. Sobre o painel de controlo do laser rotativo acende agora o LED para modo de inclinação. A ferramenta inicia agora o nivelamento automático. Logo que esta esteja concluída, o laser liga-se e começa a girar.
3. Ajuste agora o ângulo de inclinação pretendido no adaptador de inclinação.
4. Para regressar ao modo predefinido, desligue e volte a ligar a ferramenta.

8 Conservação e manutenção

8.1 Limpeza e secagem

1. Sopre o pó das janelas de saída.
2. Não toque no vidro com os dedos.
3. Limpe apenas com um pano limpo e macio; se necessário, humedeça ligeiramente o pano com um pouco de álcool puro ou água.
NOTA Um produto de limpeza demasiado áspero pode riscar o vidro, afectando deste modo a precisão da ferramenta.
NOTA Não utilize qualquer outro líquido que possa danificar os componentes plásticos.
4. Seque o seu equipamento tendo em atenção e cumprindo os valores de temperatura que se encontram indicados nas Características técnicas.
NOTA Tenha especialmente atenção aos valores de temperatura no Inverno/Verão se guardar o seu equipamento dentro de um veículo.

8.2 Conservação das baterias de iões de lítio

NOTA

Ao contrário das baterias NiCd ou NiMH, não é necessário efectuar um condicionamento das baterias de iões de lítio.

NOTA

Uma interrupção do carregamento não condiciona a vida útil da bateria.

NOTA

O carregamento pode ser iniciado a qualquer momento, sem condicionar a vida útil. Não existe efeito memória como nas baterias de NiCd ou NiMH.

NOTA

A melhor forma de guardar as baterias é completamente carregadas em local fresco e seco. Deixar as baterias expostas a temperaturas ambientes elevadas (por trás de um vidro, por exemplo) é inadequado, condiciona a vida útil e aumenta o ritmo de descarga espontânea das células.

NOTA

As baterias perdem capacidade devido a envelhecimento ou sobrecarga; neste caso, deixam de poder ser carregadas completamente. Ainda pode continuar a trabalhar com baterias envelhecidas, deverá no entanto substituí-las atempadamente.

1. Evite a entrada de humidade.
2. As baterias devem ser completamente carregadas antes da primeira utilização.
3. Carregue as baterias, logo que seja notada uma quebra no desempenho da ferramenta.

NOTA O carregamento atempado aumenta a vida útil das baterias.

NOTA Se se continuar a utilizar a bateria, o carregamento pára automaticamente, antes que a descarga possa danificar as células, e a ferramenta desliga-se.

4. Carregue as baterias com os carregadores Hilti aprovados para baterias de íões de lítio.

8.3 Armazenamento

1. Retire as ferramentas da mala se verificar que estão molhadas. As ferramentas, as respectivas malas de transporte e os acessórios devem ser limpos e secos (tendo em atenção a temperatura de funcionamento). Coloque novamente o equipamento dentro da mala/caixa, apenas se este estiver completamente seco.
2. Verifique a precisão do equipamento antes de o utilizar, após um longo período de armazenamento ou transporte.
3. Remova as baterias e pilhas da ferramenta ou do receptor laser antes de as armazenar durante períodos prolongados. Se as baterias e pilhas perderem líquido, podem danificar a ferramenta e o receptor laser.

8.4 Transportar

Use a mala Hilti ou outra embalagem equivalente para o transporte e envio da ferramenta.

CUIDADO

Remova as baterias e pilhas da ferramenta ou do receptor laser antes de os transportar ou enviar.

8.5 Calibrar através do Serviço de Calibração Hilti

Recomendamos que a ferramenta seja testada periodicamente através do Serviço de Calibração Hilti, de forma a garantir a sua precisão, segundo as normas e de acordo com as exigências legais.

O Serviço de Calibração Hilti está à sua disposição em qualquer altura. Recomendamos-lhe mandar calibrar a ferramenta pelo menos uma vez por ano.

O Serviço de Calibração Hilti confirma que as especificações da ferramenta, à data em que é testada, estão em conformidade com as características técnicas indicadas no manual de instruções.

Se se verificarem desvios relativamente aos dados do fabricante, o aparelho de medição usado será novamente ajustada. Posteriormente, é colada uma etiqueta de calibração na ferramenta, confirmando-se através de um certificado de calibração que a mesma funciona de acordo com as indicações do fabricante.

Os certificados de calibração são exigidos a empresas certificadas pela norma ISO 900X.

Contacte um Centro Hilti nas suas proximidades para obter mais informações.

8.6 Verificar a precisão

NOTA

Para poder satisfazer especificações técnicas, a ferramenta deveria ser verificada regularmente (no mínimo antes de cada trabalho maior/relevante)!

NOTA

Sob as seguintes condições pode partir-se do princípio de que a ferramenta funciona de forma perfeita e com a mesma precisão após uma queda como antes da queda:

Na queda não foi excedida a altura de queda indicada nas Características técnicas.

A ferramenta não sofreu danos mecânicos com a queda (quebra do prisma pentagonal, por exemplo).

A ferramenta gera um raio laser em rotação no modo de operação.

A ferramenta também funcionou de forma perfeita antes da queda.

8.6.1 Verificar os eixos principais horizontal e transversal

1. Montar o tripé a uma distância de aprox. 20 m de uma parede e nivele a cabeça de tripé com a ajuda de um nível de bolha.
2. Montar a ferramenta num tripé e alinhar a cabeça da ferramenta com a ajuda do entalhe de mira na direcção de uma parede.
3. Capturar um ponto (Ponto 1) com a ajuda do receptor laser e marcá-lo na parede.
4. Rodar a ferramenta 90° em torno do próprio eixo no sentido dos ponteiros do relógio. A altura da ferramenta não pode ser alterada.
5. Capturar um segundo ponto (Ponto 2) com a ajuda do receptor laser e marcá-lo na parede.

6. Voltar a repetir duas vezes os passos 4 e 5 e capturar os pontos 3 e 4 com a ajuda do receptor e marcá-los na parede.

Se o procedimento tiver sido executado com cuidado, a distância vertical dos dois pontos 1 e 3 (eixo principal) ou dos pontos 2 e 4 (eixo transversal) marcados deveria ser inferior a 2 mm (a 20 m) para cada. No caso de desvios maiores, envie a ferramenta para o Centro de Assistência Técnica Hilti para ser calibrada.

pt

9 Reciclagem

AVISO

A reciclagem incorrecta do equipamento pode ter graves consequências:

a combustão de componentes plásticos pode gerar fumos tóxicos que representam um perigo para a saúde.

Se danificadas ou expostas a temperaturas muito elevadas, as pilhas/baterias podem explodir, originando queimaduras por ácido, intoxicação e poluição ambiental.

Uma reciclagem incorrecta (ou ausência desta) permite que pessoas não autorizadas/habilitadas utilizem o equipamento para fins diferentes daqueles para os quais foi concebido. Consequentemente, podem ferir-se a si próprias ou a terceiros ou causar poluição ambiental.



As ferramentas Hilti são, em grande parte, fabricadas com materiais recicláveis. Um pré-requisito para a reciclagem é que esses materiais sejam devidamente separados. A Hilti já iniciou em muitos países a recolha da sua ferramenta usada para fins de reaproveitamento. Para mais informações dirija-se ao Serviço de Clientes Hilti local ou ao vendedor.



Recicle as baterias de acordo com as regulamentações nacionais em vigor. Por favor, ajude a proteger o ambiente.

10 Garantia do fabricante - Ferramentas

A Hilti garante que a ferramenta fornecida está isenta de quaisquer defeitos de material e de fabrico. Esta garantia é válida desde que a ferramenta seja utilizada e manuseada, limpa e revista de forma adequada e de acordo com o manual de instruções Hilti e desde que o sistema técnico seja mantido, isto é, sob reserva da utilização exclusiva na ferramenta de consumíveis, componentes e peças originais Hilti.

A garantia limita-se rigorosamente à reparação gratuita ou substituição das peças com defeito de fabrico durante todo o tempo de vida útil da ferramenta. A garantia não cobre peças sujeitas a um desgaste normal de uso.

Estão excluídas desta garantia quaisquer outras situações susceptíveis de reclamação, salvo legislação

nacional aplicável em contrário. Em caso algum será a Hilti responsável por danos indirectos, directos, accidentais ou pelas consequências daí resultantes, perdas ou despesas em relação ou devidas à utilização ou incapacidade de utilização da ferramenta, seja qual for a finalidade. A Hilti exclui em particular as garantias implícitas respeitantes à utilização ou aptidão para uma finalidade particular.

Para toda a reparação ou substituição, enviar a ferramenta ou as peças para o seu centro de vendas Hilti, imediatamente após detecção do defeito.

Estas são todas e as únicas obrigações da Hilti no que se refere à garantia, as quais anulam todas as declarações, acordos orais ou escritos anteriores ou contemporâneos referentes à garantia.

11 Declaração FCC (aplicável nos EUA)/Declaração IC (aplicável no Canadá)

Esta ferramenta está de acordo com a Parte 15 das especificações FCC e RSS-210 do IC. A utilização está sujeita às duas seguintes condições:

Esta ferramenta não deve produzir interferência prejudicial.

A ferramenta tem de aceitar qualquer interferência, incluindo interferências que podem causar funcionamentos indesejados.

NOTA

Alterações ou modificações à ferramenta que não sejam expressamente aprovadas pela Hilti podem limitar o direito do utilizador em operar com esta ferramenta.



Hilti Corporation

LI-9494 Schaan

Tel.: +423/234 21 11

Fax: +423/234 29 65

www.hilti.com

Hilti = registered trademark of Hilti Corp., Schaan

W 4270 | 1113 | 00-Pos. 2_USA | 1

Printed in Germany © 2013

Right of technical and programme changes reserved S. E. & O.

2067468 / A3



2067468