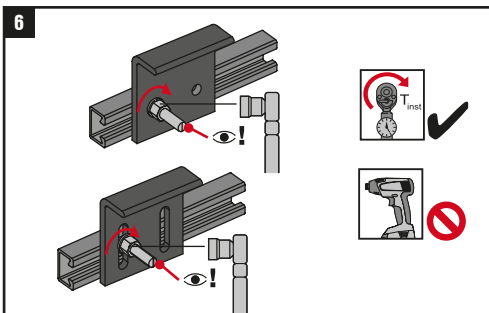
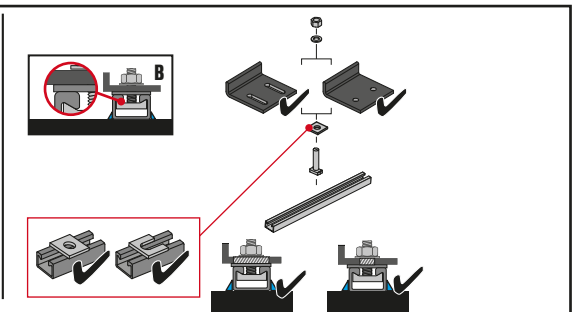
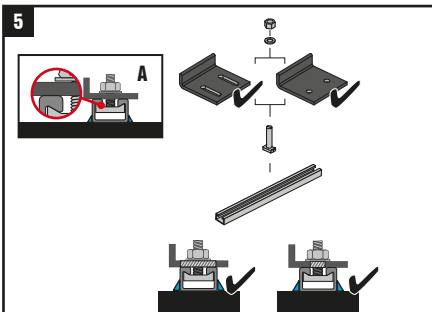
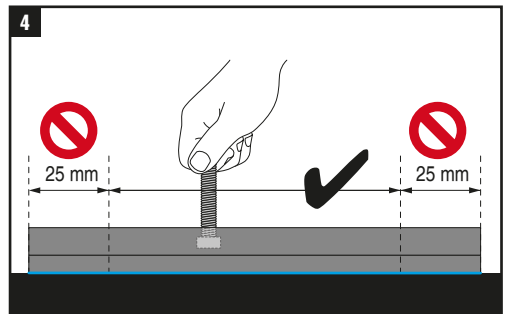
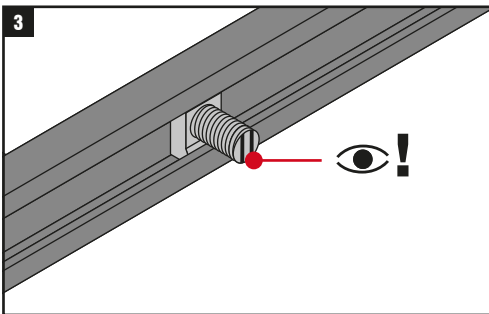
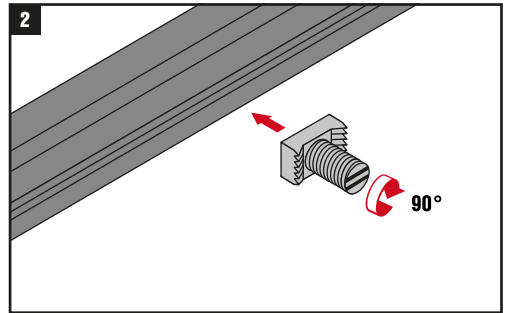
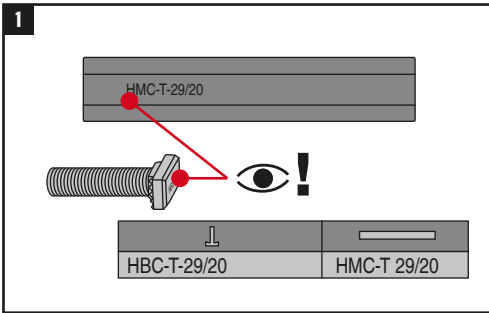


T_{inst} [Nm]		
A	B	
M12	40	80



		T_{inst} [Nm]
Channel bolt		
HBC-T-29/20	M12	80