



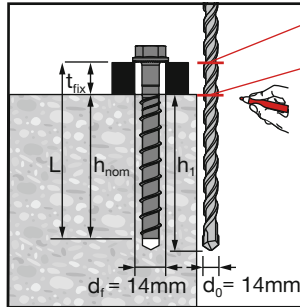
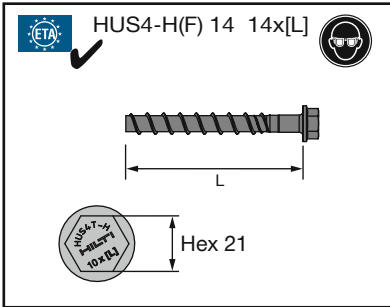
# HUS4-H(F) 14



2310563-03.2025

<p>① <b>CE</b> 25 Hilti AG LI-9494 Schaan Hilti Werke 2873-CPR-201-72 ETA-20/0867 Notified body 2873 EAD 330232-01-0601 Product for fixing to- or connecting/supporting of building structures www.hilti.group</p>	<p>② <b>CE</b> 25 Hilti AG, LI-9494 Schaan Hilti Werke 2873-CPR-201-73 ETA-18/1160 Notified body 2873 EAD 332795-01-0601 Product for fixing to- or connecting/supporting of building structures www.hilti.group</p>	<p>③ <b>CE</b> 22 Hilti AG, LI-9494 Schaan Hilti Werke 2873-CPR-201-78 ETA-21/0969 Notified body 2873 EAD 332347-00-0601 Product for fixing to- or connecting/supporting of building structures www.hilti.group</p>
--	---	---

	①	②	③		①	②	③
HUS4-H 14×75	✓			HUS4-HF 14×75	✓		
HUS4-H 14×90	✓			HUS4-HF 14×100	✓		
HUS4-H 14×100	✓		✓	HUS4-HF 14×120	✓		
HUS4-H 14×120	✓		✓	HUS4-HF 14×150	✓	✓	
HUS4-H 14×130	✓	✓	✓				
HUS4-H 14×150	✓	✓	✓				



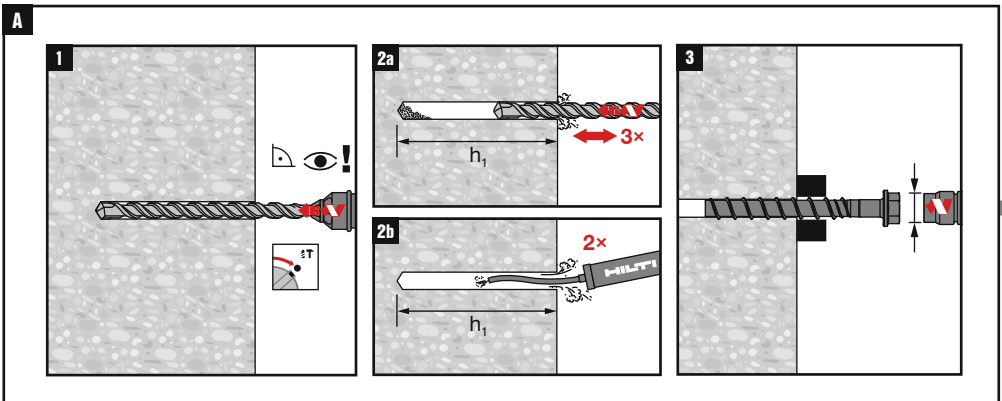
!  $\geq h_1 + t_{fix}$

!  $\geq h_1$

	$h_{nom}$ [mm]
	$\geq 65$

	$h_1 = h_{nom} + 30 \text{ mm}$ <b>2a</b>
	$h_1 = h_{nom} + 10 \text{ mm}$ <b>2b</b>

SIW 6AT-A22 1/2", SIW 4AT-22 1/2"	
SIW 6-22 1/2"	✓
SIW 22T-A 1/2", SIW 22T-A 3/4"	✓
SIW 9-A22 3/4"	✓
SIW 8-22 1/2"	✓
SIW 10-22 3/4"	✓



**4 optional**

**4a**

max. 10 mm  
max. 2x

**4b**

$h_{nom}$   
max. 10 mm

	$h_{nom}$ [mm]	
	< 60	
	≥ 60	

**5**

**B**

**1**

DIBt - aBG  
ETA

**2**

NURON

**3a**

HBG 14  
HBG 16  
HBG 12

**3b**

HBG 14  
HBG 16  
HBG 12

**4a**

**4b**

HUS4-H(F) 14