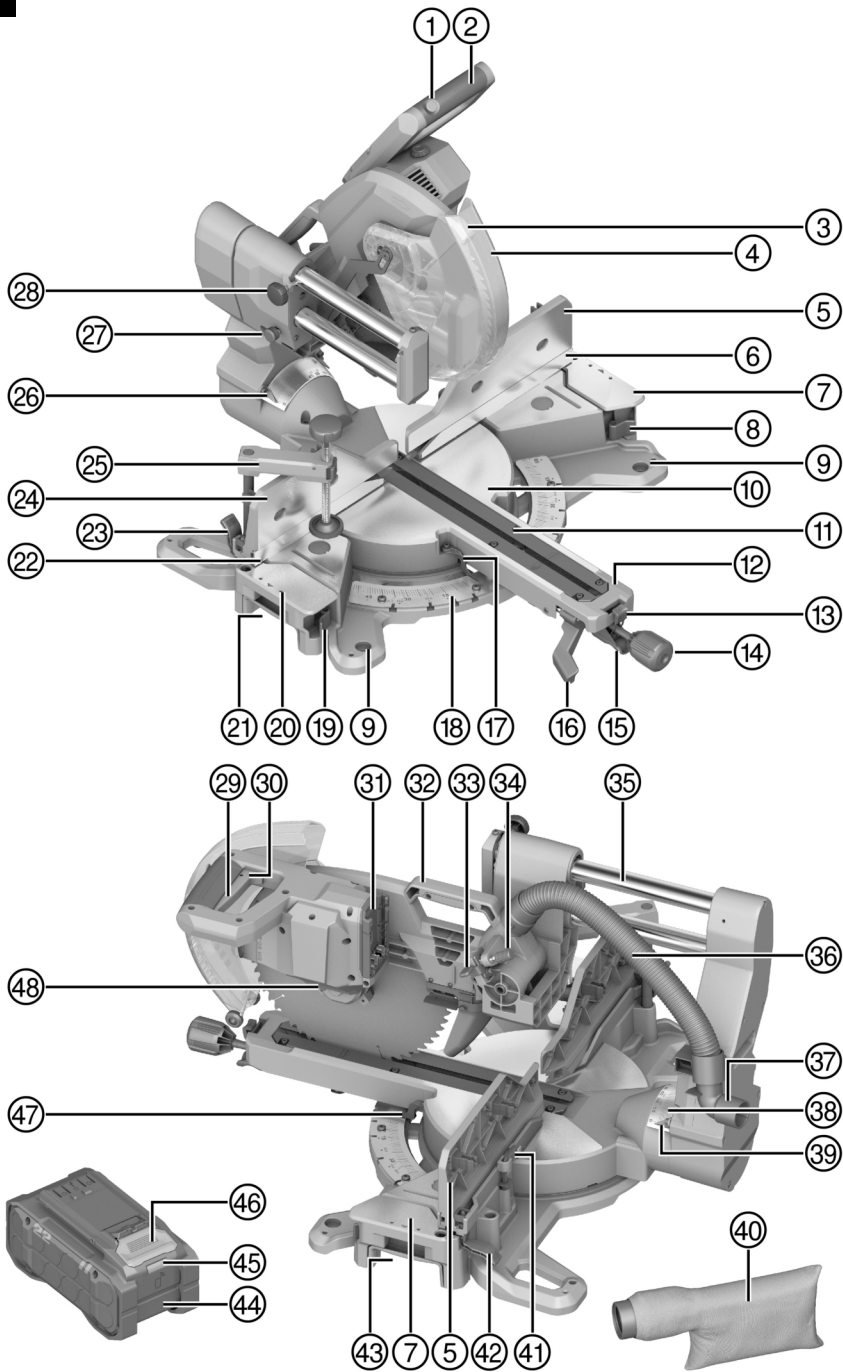




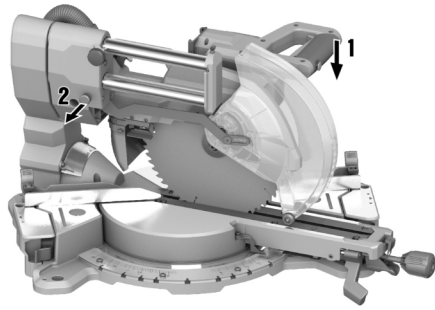
SM 60-22

NU^RON

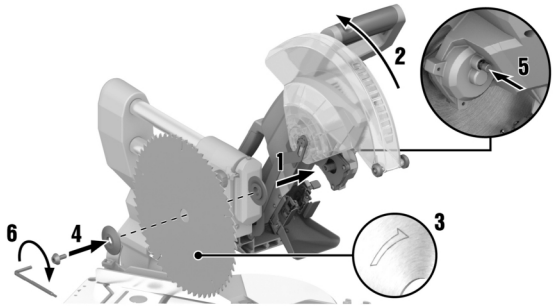
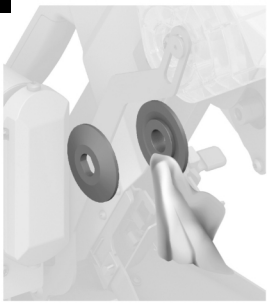
English	1
Français	23
Español	48
Português	72



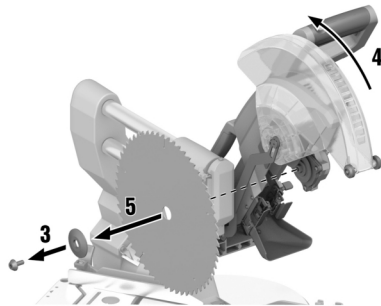
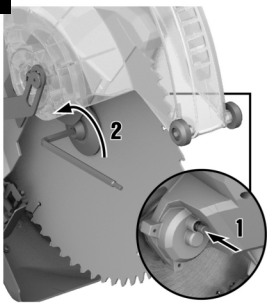
2



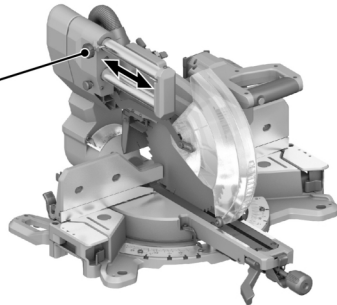
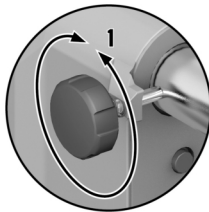
3



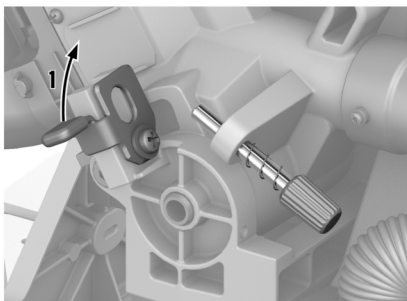
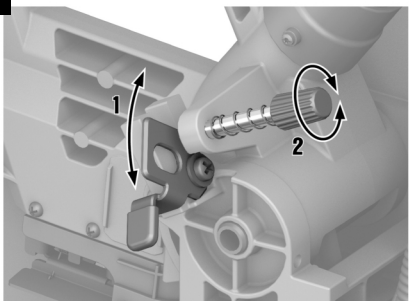
4



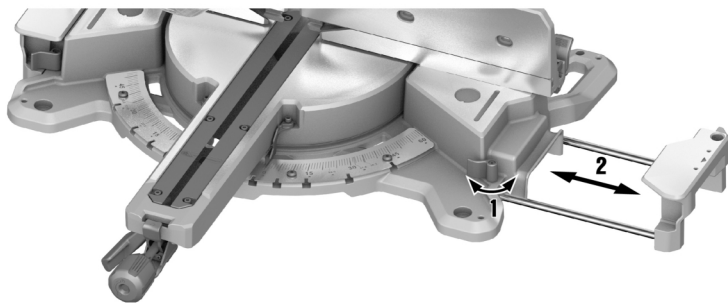
5



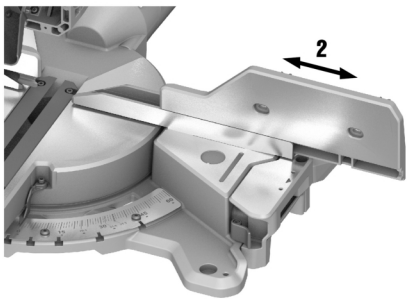
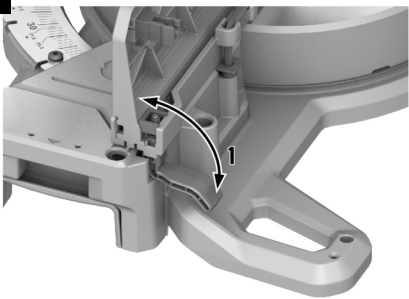
6



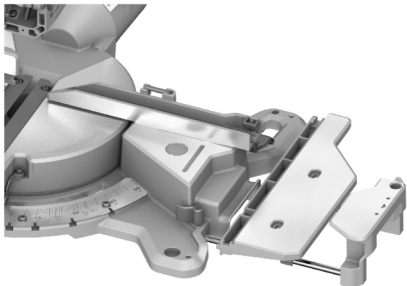
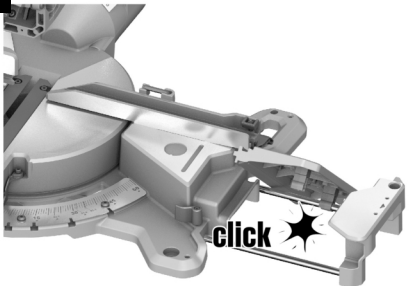
7



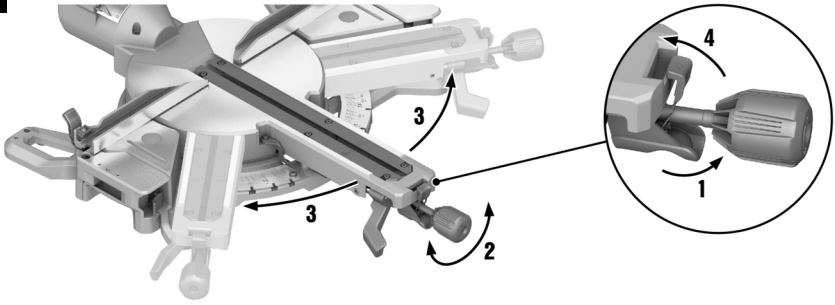
8



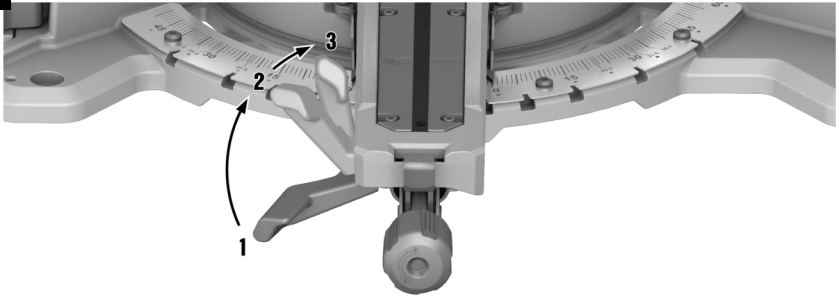
9



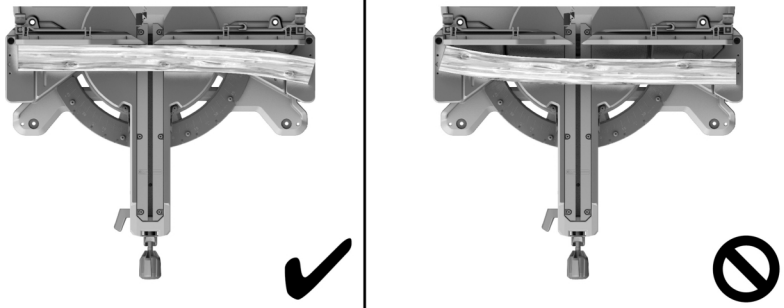
10



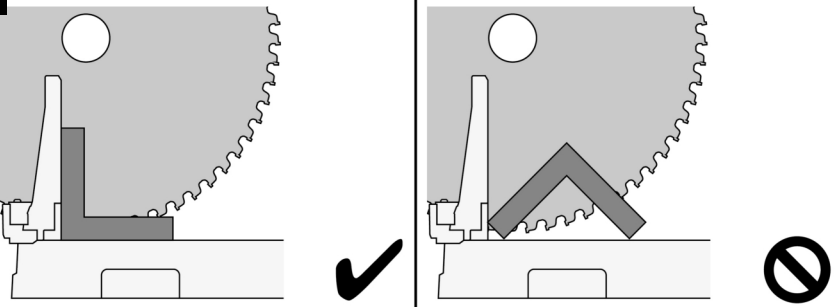
11



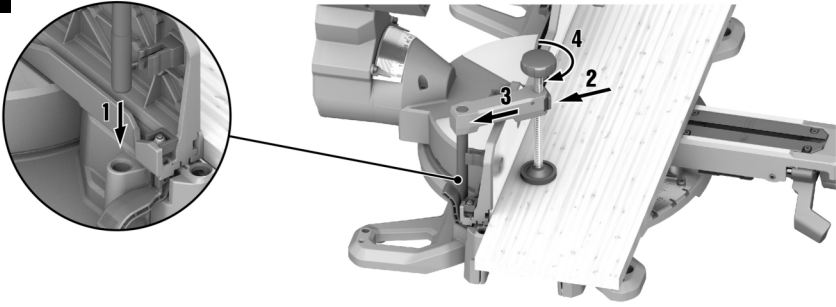
12



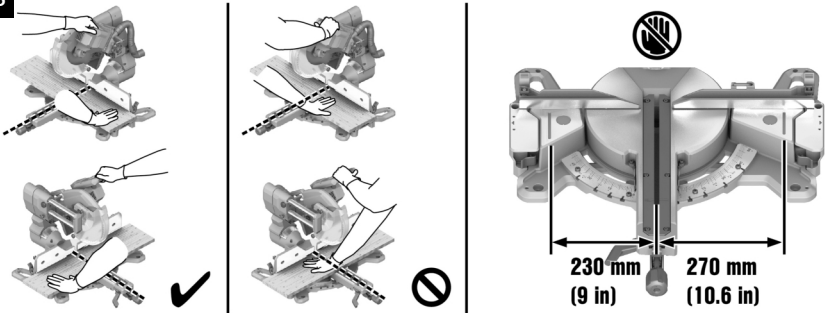
13



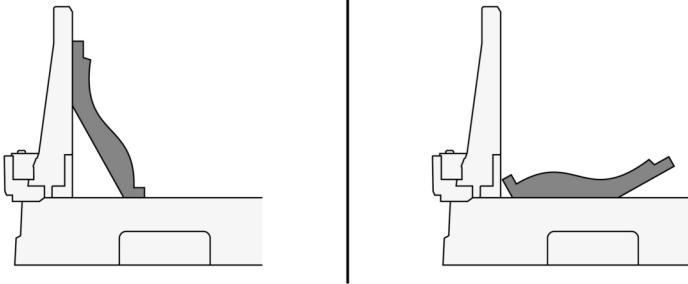
14



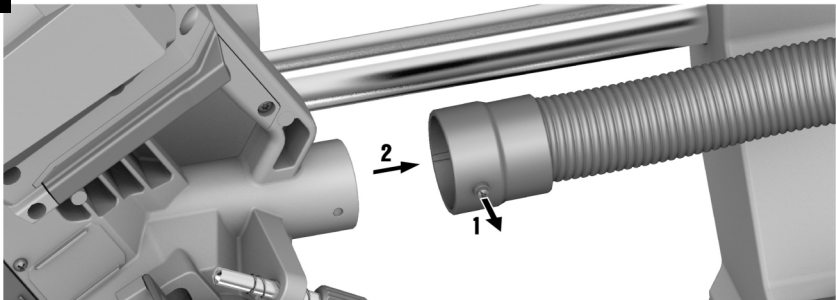
15



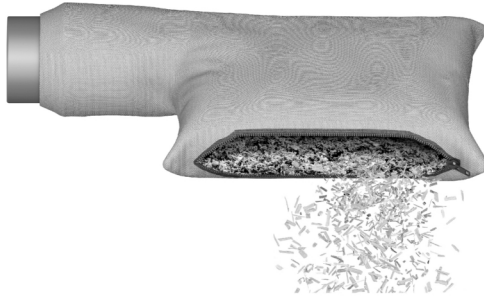
16



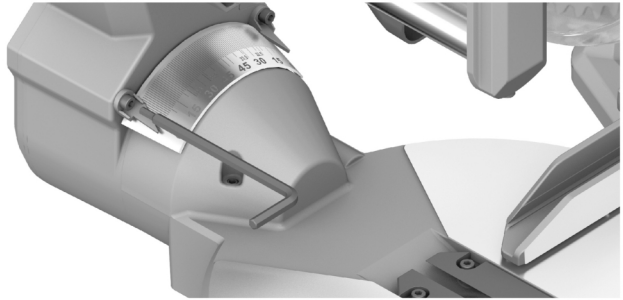
17



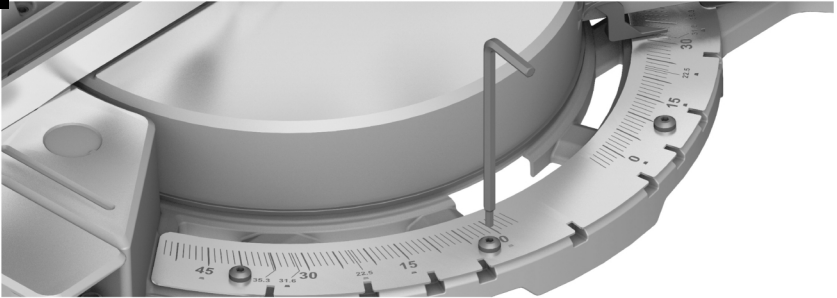
18



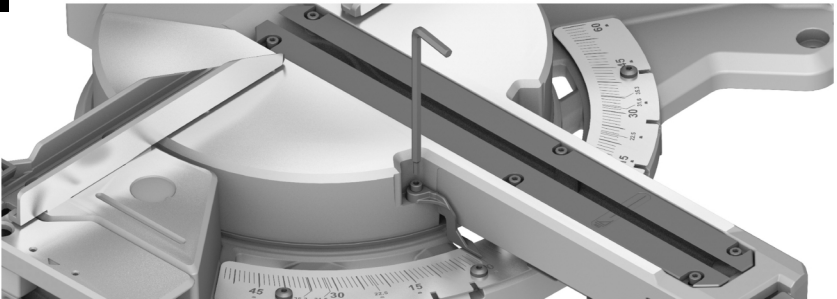
19



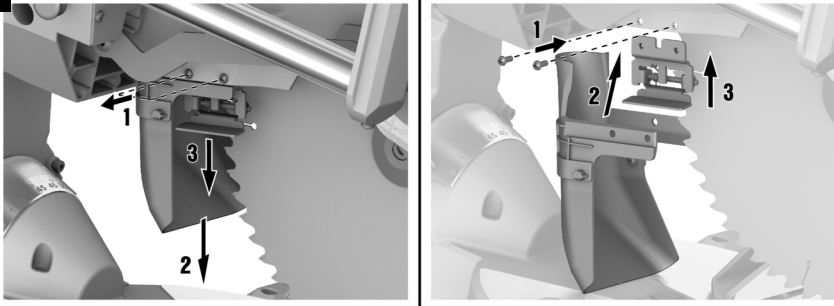
20



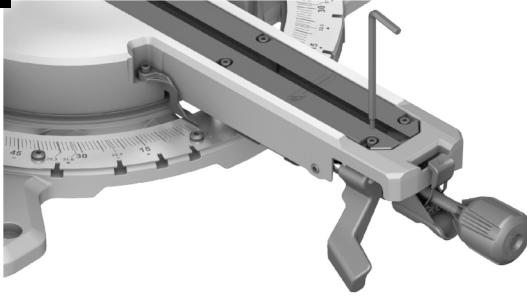
21



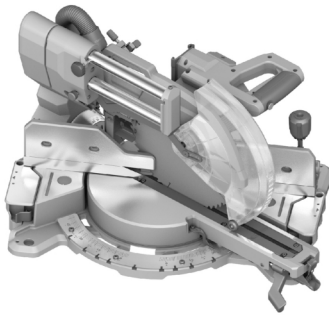
22



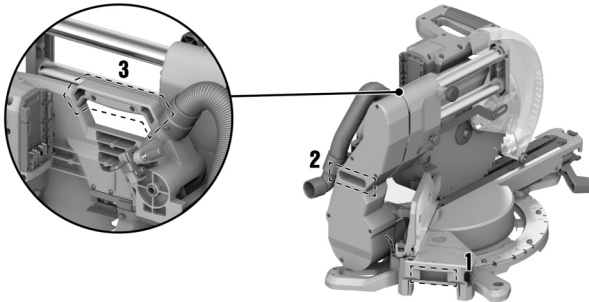
23



24



25



SM 60-22

en	Original operating instructions	1
fr	Mode d'emploi original	23
es	Manual de instrucciones original	48
pt	Manual de instruções original	72

Original operating instructions

1 Information about the operating instructions

1.1 About these operating instructions

- Warning! Read and understand all accompanying documentation, including but not limited to instructions, safety warnings, illustrations, and specifications provided with this product. Familiarize yourself with all the instructions, safety warnings, illustrations, specifications, components, and functions of the product before use. Failure to do so may result in electric shock, fire, and/or serious injury. Save all warnings and instructions for future reference.
- The accompanying documentation corresponds to the current state of the art at the time of printing. Please always check for the latest version on the product's page on Hilti's website. To do this, follow the link or scan the QR code in this documentation, marked with the symbol
- Ensure that these operating instructions are with the product when it is given to other persons.

1.2 Explanation of symbols

1.2.1 Warnings

Warnings alert persons to hazards that occur when handling or using the product. The following signal words are used:

DANGER

DANGER !

- ▶ Draws attention to imminent danger that will lead to serious personal injury or fatality.

WARNING

WARNING !

- ▶ Draws attention to a potential threat of danger that can lead to serious injury or fatality.

CAUTION

CAUTION !

- ▶ Draws attention to a potentially dangerous situation that could lead to personal injury or damage to the equipment or other property.

1.2.2 Symbols in the operating instructions

The following symbols are used in these operating instructions:

	Comply with the operating instructions
	Instructions for use and other useful information
	Dealing with recyclable materials
	Do not dispose of electric equipment and batteries as household waste
	Hilti Li-ion battery
	Hilti charger

1.2.3 Symbols in illustrations

The following symbols are used in illustrations:

2	These numbers refer to the illustrations at the beginning of these operating instructions.
3	The numbers in illustrations refer to important work steps or to components important for the work steps. In the text, the corresponding numbers draw attention to these work steps or components, e.g. (3) .



	Item reference numbers are used in the overview illustration and refer to the numbers used in the key in the product overview section.
	This symbol is intended to draw your special attention to certain points for handling the product.

1.3 Product-dependent symbols

1.3.1 General symbols

Symbols used in relation to the product.

	The product supports near-field communication (NFC) technology compatible with iOS and Android platforms.
	Direct current (DC)
n_0	Rated speed under no load
\varnothing	Diameter
	Dimensions of the saw blade
	Do not look into the light source.
Li-ion	Li-ion battery
	Never strike the battery with an object and never use the battery as a striking tool.
	Do not drop the battery. Never use a battery that has suffered an impact or is damaged in any other way.
	Hilti Li-ion battery type series used. Observe the information given in the section headed Intended use .
	If applied on the product, the product has been certified by this certification body for the US and Canadian markets according to the applicable standards.

1.3.2 Prohibition symbols

Prohibition symbols indicate "must not do" actions.

	Danger zone! Keep hands, fingers and arms clear of this zone.
--	---

1.3.3 Obligation symbols

Obligation symbols indicate "must do" actions.

	Wear ear protection
	Wear eye protection

1.4 Product information

products are designed for professional users and only trained, authorized personnel are permitted to operate, service and maintain the products. This personnel must be specifically informed about the possible hazards. The product and its ancillary equipment can present hazards if used incorrectly by untrained personnel or if used not in accordance with the intended use.

The type designation and serial number are printed on the rating plate.



- ▶ Write down the serial number in the table below. You will be required to state the product details when contacting Hilti Service or your local Hilti organization to inquire about the product.

Product information

Cordless dual-bevel compound sliding miter saw	SM 60-22
Generation	01
Serial no.	

2 Safety

2.1 General power tool safety warnings

⚠ WARNING Read all safety warnings, instructions, illustrations and specifications provided with this power tool. Failure to follow all instructions listed below may result in electric shock, fire and/or serious injury. **Save all warnings and instructions for future reference.**

The term "power tool" in the warnings refers to your mains-operated (corded) power tool or battery-operated (cordless) power tool.

Work area safety

- ▶ **Keep work area clean and well lit.** Cluttered or dark areas invite accidents.
- ▶ **Do not operate power tools in explosive atmospheres, such as in the presence of flammable liquids, gases or dust.** Power tools create sparks which may ignite the dust or fumes.
- ▶ **Keep children and bystanders away while operating a power tool.** Distractions can cause you to lose control.

Electrical safety

- ▶ **Power tool plugs must match the outlet. Never modify the plug in any way. Do not use any adapter plugs with earthed (grounded) power tools.** Unmodified plugs and matching outlets will reduce risk of electric shock.
- ▶ **Avoid body contact with earthed or grounded surfaces, such as pipes, radiators, ranges and refrigerators.** There is an increased risk of electric shock if your body is earthed or grounded.
- ▶ **Do not expose power tools to rain or wet conditions.** Water entering a power tool will increase the risk of electric shock.
- ▶ **Do not abuse the cord. Never use the cord for carrying, pulling or unplugging the power tool. Keep cord away from heat, oil, sharp edges or moving parts.** Damaged or entangled cords increase the risk of electric shock.
- ▶ **When operating a power tool outdoors, use an extension cord suitable for outdoor use.** Use of a cord suitable for outdoor use reduces the risk of electric shock.
- ▶ **If operating a power tool in a damp location is unavoidable, use a residual current device (RCD) protected supply.** Use of an RCD reduces the risk of electric shock.

Personal safety

- ▶ **Stay alert, watch what you are doing and use common sense when operating a power tool. Do not use a power tool while you are tired or under the influence of drugs, alcohol or medication.** A moment of inattention while operating power tools may result in serious personal injury.
- ▶ **Use personal protective equipment. Always wear eye protection.** Protective equipment such as a dust mask, non-skid safety shoes, hard hat or hearing protection used for appropriate conditions will reduce personal injuries.
- ▶ **Prevent unintentional starting. Ensure the switch is in the off-position before connecting to power source and/or battery pack, picking up or carrying the tool.** Carrying power tools with your finger on the switch or energising power tools that have the switch on invites accidents.
- ▶ **Remove any adjusting key or wrench before turning the power tool on.** A wrench or a key left attached to a rotating part of the power tool may result in personal injury.
- ▶ **Do not overreach. Keep proper footing and balance at all times.** This enables better control of the power tool in unexpected situations.
- ▶ **Dress properly. Do not wear loose clothing or jewellery. Keep your hair and clothing away from moving parts.** Loose clothes, jewellery or long hair can be caught in moving parts.
- ▶ **If devices are provided for the connection of dust extraction and collection facilities, ensure these are connected and properly used.** Use of dust collection can reduce dust-related hazards.
- ▶ **Do not let familiarity gained from frequent use of tools allow you to become complacent and ignore tool safety principles.** A careless action can cause severe injury within a fraction of a second.



Power tool use and care

- ▶ **Do not force the power tool. Use the correct power tool for your application.** The correct power tool will do the job better and safer at the rate for which it was designed.
- ▶ **Do not use the power tool if the switch does not turn it on and off.** Any power tool that cannot be controlled with the switch is dangerous and must be repaired.
- ▶ **Disconnect the plug from the power source and/or remove the battery pack, if detachable, from the power tool before making any adjustments, changing accessories, or storing power tools.** Such preventive safety measures reduce the risk of starting the power tool accidentally.
- ▶ **Store idle power tools out of the reach of children and do not allow persons unfamiliar with the power tool or these instructions to operate the power tool.** Power tools are dangerous in the hands of untrained users.
- ▶ **Maintain power tools and accessories. Check for misalignment or binding of moving parts, breakage of parts and any other condition that may affect the power tool's operation. If damaged, have the power tool repaired before use.** Many accidents are caused by poorly maintained power tools.
- ▶ **Keep cutting tools sharp and clean.** Properly maintained cutting tools with sharp cutting edges are less likely to bind and are easier to control.
- ▶ **Use the power tool, accessories and tool bits etc. in accordance with these instructions, taking into account the working conditions and the work to be performed.** Use of the power tool for operations different from those intended could result in a hazardous situation.
- ▶ **Keep handles and grasping surfaces dry, clean and free from oil and grease.** Slippery handles and grasping surfaces do not allow for safe handling and control of the tool in unexpected situations.

Battery tool use and care

- ▶ **Recharge only with the charger specified by the manufacturer.** A charger that is suitable for one type of battery pack may create a risk of fire when used with another battery pack.
- ▶ **Use power tools only with specifically designated battery packs.** Use of any other battery packs may create a risk of injury and fire.
- ▶ **When battery pack is not in use, keep it away from other metal objects, like paper clips, coins, keys, nails, screws or other small metal objects, that can make a connection from one terminal to another.** Shorting the battery terminals together may cause burns or a fire.
- ▶ **Under abusive conditions, liquid may be ejected from the battery; avoid contact. If contact accidentally occurs, flush with water. If liquid contacts eyes, additionally seek medical help.** Liquid ejected from the battery may cause irritation or burns.
- ▶ **Do not use a battery pack or tool that is damaged or modified.** Damaged or modified batteries may exhibit unpredictable behaviour resulting in fire, explosion or risk of injury.
- ▶ **Do not expose a battery pack or tool to fire or excessive temperature.** Exposure to fire or temperature above 130° C (265 °F) may cause explosion.
- ▶ **Follow all charging instructions and do not charge the battery pack or tool outside the temperature range specified in the instructions.** Charging improperly or at temperatures outside the specified range may damage the battery and increase the risk of fire.

Service

- ▶ **Have your power tool serviced by a qualified repair person using only identical replacement parts.** This will ensure that the safety of the power tool is maintained.
- ▶ **Never service damaged battery packs.** Service of battery packs should only be performed by the manufacturer or authorized service providers.

2.2 Safety instructions for mitre saws

- ▶ **Mitre saws are intended to cut wood or wood-like products, they cannot be used with abrasive cut-off wheels for cutting ferrous material such as bars, rods, studs, etc.** Abrasive dust causes moving parts such as the lower guard to jam. Sparks from abrasive cutting will burn the lower guard, the kerf insert and other plastic parts.
- ▶ **Use clamps to support the workpiece whenever possible. If supporting the workpiece by hand, you must always keep your hand at least 100 mm (4 in) from either side of the saw blade. Do not use this saw to cut pieces that are too small to be securely clamped or held by hand.** If your hand is placed too close to the saw blade, there is an increased risk of injury from blade contact.
- ▶ **The workpiece must be stationary and clamped or held against both the fence and the table. Do not feed the workpiece into the blade or cut "freehand" in any way.** Unrestrained or moving workpieces could be thrown at high speeds, causing injury.



- ▶ **Push the saw through the workpiece. Do not pull the saw through the workpiece. To make a cut, raise the saw head and pull it out over the workpiece without cutting, start the motor, press the saw head down and push the saw through the workpiece.** Cutting on the pull stroke is likely to cause the saw blade to climb on top of the workpiece and violently throw the blade assembly towards the operator.
- ▶ **Never cross your hand over the intended line of cutting either in front or behind the saw blade.** Supporting the workpiece “cross handed” i.e. holding the workpiece to the right of the saw blade with your left hand or vice versa is very dangerous.
- ▶ **Do not reach behind the fence with either hand closer than 100 mm (4 in) from either side of the saw blade, to remove wood scraps, or for any other reason while the blade is spinning.** The proximity of the spinning saw blade to your hand may not be obvious and you may be seriously injured.
- ▶ **Inspect your workpiece before cutting. If the workpiece is bowed or warped, clamp it with the outside bowed face toward the fence. Always make certain that there is no gap between the workpiece, fence and table along the line of the cut.** Bent or warped workpieces can twist or shift and may cause binding on the spinning saw blade while cutting. There should be no nails or foreign objects in the workpiece.
- ▶ **Do not use the saw until the table is clear of all tools, wood scraps, etc., except for the workpiece.** Small debris or loose pieces of wood or other objects that contact the revolving blade can be thrown with high speed.
- ▶ **Cut only one workpiece at a time.** Stacked multiple workpieces cannot be adequately clamped or braced and may bind on the blade or shift during cutting.
- ▶ **Ensure the mitre saw is mounted or placed on a level, firm work surface before use.** A level and firm work surface reduces the risk of the mitre saw becoming unstable.
- ▶ **Plan your work. Every time you change the bevel or mitre angle setting, make sure the adjustable fence is set correctly to support the workpiece and will not interfere with the blade or the guarding system.** Without turning the tool “ON” and with no workpiece on the table, move the saw blade through a complete simulated cut to assure there will be no interference or danger of cutting the fence.
- ▶ **Provide adequate support such as table extensions, saw horses, etc. for a workpiece that is wider or longer than the table top.** Workpieces longer or wider than the mitre saw table can tip if not securely supported. If the cut-off piece or workpiece tips, it can lift the lower guard or be thrown by the spinning blade.
- ▶ **Do not use another person as a substitute for a table extension or as additional support.** Unstable support for the workpiece can cause the blade to bind or the workpiece to shift during the cutting operation pulling you and the helper into the spinning blade.
- ▶ **The cut-off piece must not be jammed or pressed by any means against the spinning saw blade.** If confined, i.e. using length stops, the cut-off piece could get wedged against the blade and thrown violently.
- ▶ **Always use a clamp or a fixture designed to properly support round material such as rods or tubing.** Rods have a tendency to roll while being cut, causing the blade to “bite” and pull the work with your hand into the blade.
- ▶ **Let the blade reach full speed before contacting the workpiece.** This will reduce the risk of the workpiece being thrown.
- ▶ **If the workpiece or blade becomes jammed, turn the mitre saw off. Wait for all moving parts to stop and disconnect the plug from the power source and/or remove the battery pack. Then work to free the jammed material.** Continued sawing with a jammed workpiece could cause loss of control or damage to the mitre saw.
- ▶ **After finishing the cut, release the switch, hold the saw head down and wait for the blade to stop before removing the cut-off piece.** Reaching with your hand near the coasting blade is dangerous.
- ▶ **Hold the handle firmly when making an incomplete cut or when releasing the switch before the saw head is completely in the down position.** The braking action of the saw may cause the saw head to be suddenly pulled downward, causing a risk of injury.

2.3 Additional safety instructions

- ▶ Use the product and accessories only when they are in perfect working order.
- ▶ Never tamper with or modify the product or accessories in any way.
- ▶ Risk of injury by falling tools and/or accessories. Before starting work, check that the battery and installed accessories are secure.



- ▶ Dust produced by grinding, sanding, cutting and drilling can contain dangerous chemicals. Some examples are: lead or lead-based paints; brick, concrete and other masonry products, natural stone and other products containing silicates; certain types of wood, such as oak, beech and chemically treated wood; asbestos or materials that contain asbestos. Determine the exposure of the operator and bystanders by means of the hazard classification of the materials to be worked. Implement the necessary measures to restrict exposure to a safe level, for example by the use of a dust collection system or by the wearing of suitable respiratory protection. The general measures for reducing exposure include:
 - ▶ working in an area that is well ventilated,
 - ▶ avoidance of prolonged contact with dust,
 - ▶ directing dust away from the face and body,
 - ▶ wearing protective clothing and washing exposed areas of the skin with water and soap.
- ▶ Wear eye protection, a hard hat and ear protection and suitable respiratory protection while the product is in use.
- ▶ Take frequent breaks and do physical exercises to improve the blood circulation in your fingers. High vibration during long periods of work can lead to disorders of the blood vessels and nervous system in the fingers, hands and wrists.
- ▶ Keep the air vents clear at all times. Risk of burn injuries due to blocked air vents!
- ▶ Do not let go of the grip after guiding the saw head down. Always guide the saw head smoothly back to the top position. Any uncontrolled movement of the saw head can lead to a risk of injury.
- ▶ Do not use dull, cracked, buckled or damaged saw blades. Saw blades with dull or incorrectly set teeth produce a narrow kerf, causing excessive friction, blade binding and kickback.
- ▶ Never attempt to remove offcuts, wood chips or the like from the cutting zone while the saw is running. Always first switch the saw off and guide the saw head back to the top position.
- ▶ Use only saw blades approved for the product that comply with the specifications set out in the technical data and/or on the product (e.g. diameter, speed of rotation, thickness, arbor hole size, material, etc...) and are tested and marked in accordance with the EN 847-1 standard.
- ▶ Use only saw blades with a rated maximum permissible speed at least as high as the maximum speed stated on the product.
- ▶ After working, do not touch the saw blade until it has cooled down. The saw blade gets very hot when work is in progress.
- ▶ Wear protective gloves when changing the saw blade.
- ▶ Before using the saw, always check that the guard closes correctly. Move the saw head down and guide it smoothly back up to the top position. Do not operate the saw if the guard does not move freely and close instantly as soon as the saw head is lifted. Never clamp or tie the lower guard in the open position.
- ▶ Never use the product without the guard.
- ▶ When cutting aluminum profiles, always run the power tool at low speed.
- ▶ Use and always secure the extension supports mounted on the product.
- ▶ For transport, hold the product only at the points provided for the purpose (grip recesses and transport handle). Never carry the power tool by the sliding arm or the grip. → page 21
- ▶ Avoid overheating the tips of the saw blade teeth. When cutting plastic, melting of the plastic should be avoided.

2.4 Careful handling and use of batteries

- ▶ **Comply with the following safety instructions for the safe handling and use of Li-ion batteries.** Failure to comply can lead to skin irritation, severe corrosive injury, chemical burns, fire and/or explosion.
- ▶ Use only batteries that are in perfect working order.
- ▶ Treat batteries with care in order to avoid damage and prevent leakage of fluids that are extremely harmful to health!
- ▶ Do not under any circumstances modify or tamper with batteries!
- ▶ Do not disassemble, crush or incinerate batteries and do not subject them to temperatures over 80 °C (176 °F).
- ▶ Never use or charge a battery that has suffered an impact or been damaged in any other way. Check your batteries regularly for signs of damage.
- ▶ Never use recycled or repaired batteries.
- ▶ Never use the battery or a battery-operated power tool as a striking tool.
- ▶ Never expose batteries to the direct rays of the sun, elevated temperature, sparking, or open flame. This can lead to explosions.
- ▶ Do not touch the battery poles with your fingers, tools, jewelry, or other electrically conductive objects. This can damage the battery and also cause material damage and personal injury.



- ▶ Keep batteries away from rain, moisture and liquids. Penetrating moisture can cause short circuits, electric shock, burns, fire and explosions.
- ▶ Use only chargers and power tools approved for the specific battery type. Read and follow the relevant operating instructions.
- ▶ Do not use or store the battery in explosive environments.
- ▶ If the battery is too hot to touch, it may be defective. Put the battery in a place where it is clearly visible and where there is no risk of fire, at an adequate distance from flammable materials. Allow the battery to cool down. If it is still too hot to touch after an hour, the battery is faulty. Consult **Hilti** Service or read the document entitled "Instructions on safety and use for **Hilti** Li-ion batteries".

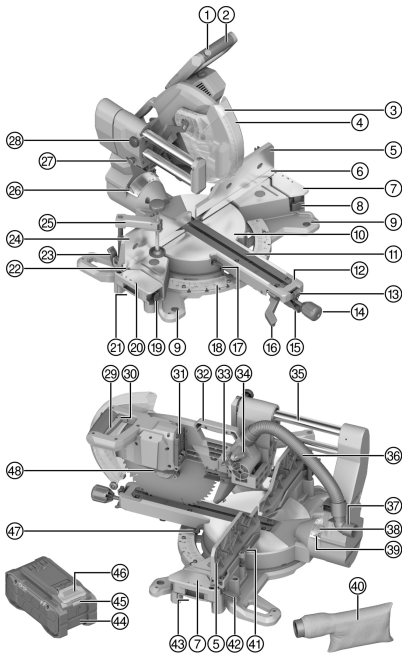


Observe the special guidelines applicable to the transport, storage and use of lithium-ion batteries. Read the instructions on safety and use of **Hilti** Li-ion batteries that you can access by scanning the QR code at the end of these operating instructions.



3 Description

3.1 Product overview



- ① Switch-on interlock
- ② Grip
- ③ LED cutting line indicator
- ④ Guard
- ⑤ Top miter fence, right
- ⑥ Bottom miter fence, right
- ⑦ Extension support, right
- ⑧ Release lever for extension support, right
- ⑨ Mounting hole
- ⑩ Turntable
- ⑪ Slot plates
- ⑫ Arm, turntable
- ⑬ Detent position, release lever for turntable
- ⑭ Locking knob for turntable
- ⑮ Release lever, turntable
- ⑯ Release lever, bevel angle
- ⑰ Pointer, miter angle left
- ⑱ Scale for miter angle
- ⑲ Release lever, extension support, left
- ⑳ Extension support, left
- ㉑ Grip recess, left
- ㉒ Bottom miter fence, left
- ㉓ Release lever, top miter fence, left
- ㉔ Top miter fence, left
- ㉕ Screw clamp
- ㉖ Pointer, bevel angle left
- ㉗ Transport lock
- ㉘ Locking screw, carriage
- ㉙ On/off switch
- ㉚ Hole for padlock
- ㉛ Battery interface
- ㉜ Transport handle
- ㉝ Stop plate, depth gauge
- ㉞ Depth gauge
- ㉟ Carriage / slider bar
- ㊱ Connecting hose, dust extractor
- ㊲ Dust removal connector
- ㊳ Scale for bevel angle
- ㊴ Pointer, bevel angle right
- ㊵ Dust bag
- ㊶ Hex key
- ㊷ Release lever, top miter fence, right
- ㊸ Grip recess, right
- ㊹ Battery
- ㊺ Battery status indicator
- ㊻ Release button, battery
- ㊼ Pointer, miter angle right
- ㊽ Spindle lock button



3.2 Intended use

The product described is a cordless dual-bevel compound sliding miter saw. It is designed for sawing wood, wood products, plastic and aluminum profiles. Cross cuts, bevel cuts and miter cuts can be performed with the product.

The product has a hose connector for sawdust extraction that is designed for common types of vacuum cleaner hose. A suitable adapter might be required for connecting the dust-extractor hose to the saw.

- Use the saw only in combination with the swarf bag supplied or with a suitable dust extractor.
- Use only saw blades approved for the product that comply with the specifications set out in the technical data (e.g. diameter, speed of rotation, thickness, material, etc...). Grinding and cut-off wheels and saw blades made of highly alloyed high speed steel (HSS) are not permissible.
- Never cut magnesium with the product.
- For this product, use only **Hilti** Nuron lithium-ion batteries of the B 22 series. For optimum performance, **Hilti** recommends the batteries stated in the table at the end of these operating instructions for this product.
- For these batteries, use only **Hilti** chargers of the type series stated in the table at the end of these operating instructions.

3.3 Items supplied

Dual-bevel compound sliding miter saw, saw blade, clamping flange, mounting flange, clamping screw, hex key, screw clamp, locking knob for turntable, operating instructions

Other system products approved for use with this product can be found at your local **Hilti Store** or at: www.hilti.group

3.4 Status indicators of the Li-ion battery

Hilti Nuron Li-ion batteries can indicate state of charge, fault messages and the battery's state of health.

3.4.1 Indicators for state of charge and fault messages



WARNING

Risk of injury by a falling battery!

- ▶ If the release button is pressed with a battery inserted in the product, subsequently check that the battery is correctly re-engaged and secure.

Short-press the release button of the battery to get whichever of the following status indications is applicable at the time.

State of charge and, if applicable, faults are indicated constantly as long as the connected product is switched on.

Status	Meaning
Four (4) LEDs show constantly green	State of charge: 100 % to 71 %
Three (3) LEDs show constantly green	State of charge: 70 % to 51 %
Two (2) LEDs show constantly green	State of charge: 50 % to 26 %
One (1) LED shows constantly green	State of charge: 25 % to 10 %
One (1) LED slow-flashes green	State of charge: < 10 %
One (1) LED quick-flashes green	The Li-ion battery is completely discharged. Recharge the battery. If the LED again starts quick-flashing after the battery has been charged, consult Hilti Service.
One (1) LED quick-flashes yellow	The Li-ion battery or the product in which it is inserted is overloaded, too hot or too cold, or experiencing some other fault. Bring the product and the battery to the recommended working temperature and do not overload the product when it is in use. If the message persists, consult Hilti Service.



Status	Meaning
One (1) LED shows yellow	The Li-ion battery and the product in which it is inserted are not compatible. Consult Hilti Service .
One (1) LED quick-flashes red	The Li-ion battery is locked and cannot be used. Consult Hilti Service .

3.4.2 Indicators showing the battery's state of health

To check the battery's state of health, press the release button and hold it down for longer than three seconds. The system does not detect a potential malfunction of the battery due to misuse, for example battery dropped or pierced, external heat damage, etc.

Status	Meaning
All LEDs show in sequence, followed by one (1) LED showing constantly green.	The battery can remain in use.
All LEDs show in sequence, followed by one (1) LED quick-flashing yellow.	The check to ascertain the battery's state of health did not complete. Repeat the procedure, or consult Hilti Service .
All LEDs show in sequence, followed by one (1) LED showing constantly red.	If a connected product can still be used, the remaining battery capacity is below 50 %. If a connected product can no longer be used, the battery has reached the end of its useful life and has to be replaced. Consult Hilti Service .

4 Technical data

4.1 Product properties

Rated voltage	21.6 V	
Rated speed under no load	4,300 /min	
Saw blade diameter	305 mm (12.0 in)	
Saw blade disc thickness	0.5 mm ... 1.5 mm (0.02 in ... 0.06 in)	
Saw blade arbor size	30 mm (1.2 in)	
Kerf width	3.2 mm (0.13 in)	
Maximum miter angle	Right	≤ 60°
	Left	≤ 52°
Maximum bevel angle	Right	≤ 48°
	Left	≤ 48°
Maximum cutting capacity regardless of other dimensions or miter angles	Height	≤ 100 mm (≤ 3.9 in)
	Width	≤ 360 mm (≤ 14.2 in)
Weight	25.6 kg (56.4 lb) (without battery)	
Ambient temperature for operation	-17 °C ... 60 °C (1 °F ... 140 °F)	
Storage temperature	-20 °C ... 70 °C (-4 °F ... 158 °F)	



4.2 Battery

Battery operating voltage	21.6 V
Weight, battery	See the end of these operating instructions
Ambient temperature for operation	-17 °C ... 60 °C (1 °F ... 140 °F)
Storage temperature	-20 °C ... 40 °C (-4 °F ... 104 °F)
Battery charging starting temperature	-10 °C ... 45 °C (14 °F ... 113 °F)

4.3 Maximum cutting capacity

The height and width dimensions as stated are interdependent. The values for maximum possible height and width are to be found in the section headed Product properties → page 10.

Miter angle	Bevel angle	Height x width
0°	0°	100 mm x 355 mm (3.9 in x 14.0 in)
	22.5° right	72 mm x 355 mm (2.8 in x 14.0 in)
	22.5° left	90 mm x 355 mm (3.5 in x 14.0 in)
	30° right	60 mm x 355 mm (2.4 in x 14.0 in)
	30° left	78 mm x 355 mm (3.1 in x 14.0 in)
	45° right	40 mm x 355 mm (1.6 in x 14.0 in)
	45° left	65 mm x 340 mm (2.6 in x 13.4 in)
	48° right	30 mm x 355 mm (1.2 in x 14.0 in)
	48° left	50 mm x 355 mm (2.0 in x 14.0 in)
45° right 45° left	0°	100 mm x 250 mm (3.9 in x 9.8 in)
	45° right	40 mm x 250 mm (1.6 in x 9.8 in)
	45° left	62 mm x 250 mm (2.4 in x 9.8 in)
52° left	0°	100 mm x 200 mm (3.9 in x 7.9 in)
	45° right	40 mm x 220 mm (1.6 in x 8.7 in)
	45° left	62 mm x 220 mm (2.4 in x 8.7 in)
60° right	0°	100 mm x 176 mm (3.9 in x 6.9 in)
	45° right	40 mm x 178 mm (1.6 in x 7.0 in)
	45° left	30 mm x 190 mm (1.2 in x 7.5 in)



5 Preparations at the workplace

WARNING

Risk of injury by inadvertent starting!

- ▶ Before inserting the battery, make sure that the product is switched off.
 - ▶ Remove the battery before making any adjustments to the power tool or before changing accessories.
-

Observe the safety instructions and warnings in this documentation and on the product.

5.1 Installing locking knob

In the as-delivered condition, the locking knob of the turntable is not installed. It must be installed before the saw is used.

- ▶ Screw the locking knob into the arm of the turntable.

5.2 Charging the battery

1. Before charging the battery, read the operating instructions for the charger.
2. Make sure that the contacts on the battery and the contacts on the charger are clean and dry.
3. Use an approved charger to charge the battery. → page 9

5.3 Inserting the battery

WARNING

Risk of injury by short circuit or falling battery!

- ▶ Before inserting the battery, make sure that the contacts on the battery and the contacts on the product are free of foreign matter.
 - ▶ Make sure that the battery always engages correctly.
-

1. Charge the battery fully before using it for the first time.
2. Push the battery into the product until it engages with an audible click.
3. Check that the battery is seated securely.

5.4 Removing the battery

1. Press the battery release button.
2. Remove the battery from the product.

5.5 Installing product

The product has to be secured to a flat, sturdy surface.

1. Set the product on a flat, sturdy surface.
2. Screw the product to the worktop through the securing holes. Use screws suitable for this purpose.
3. Alternatively, secure the feet of the power tool to the worktop with commercially available screw clamps.



Hilti offers an optional stand on which the product can be installed for mobile use.

5.6 Bringing to working position 2

1. Press the saw head down slightly and pull the transport lock out.
2. Guide the saw head smoothly up.

5.7 Dust removal system

5.7.1 Installing the dust bag

The dust bag permits clean working and collects a large proportion of the dust produced.

- ▶ Connect the dust bag to the dust removal connector.



5.7.2 Connecting dust extractor

The dust extractor must be suitable for the material to be worked. For vacuuming off hazardous, carcinogenic or dry dusts, use a suitable special vacuum extractor.

- ▶ Connect the suction hose to the dust removal connector.

5.8 Installing the saw blade

Check that the blade to be fitted complies with the technical requirements and that it is well sharpened. A sharp saw blade is an essential requirement for a perfect cut.

1. Clean the mounting flange and the clamping flange.
2. Slip the mounting flange right way round on to the arbor (1).
3. Open the pivoting guard (2).
4. Insert the new saw blade.



Note the direction-of-rotation arrows (3) on the saw blade and on the product. They must point in the same direction.

5. Place the outer clamping flange in position, right way round (4).
6. Install the clamping screw.
7. Insert the hex key into the saw blade clamping screw.
8. Press and hold down the spindle lock button (5).
9. Use the hex key to tighten the clamping screw (6).
10. Check that the saw blade is seated correctly.
11. Check that the saw blade has clearance. It is not permissible for the saw blade to come into contact with other components of the saw in any combination of settings (miter angle and/or bevel angle).
12. Insert the hex key into the holder provided for the purpose.

5.9 Removing the saw blade



WARNING

Risk of burns and cut injuries at saw blade, clamping screw and clamping flange The consequences can be burns and cut injuries.

- ▶ Wear protective gloves when changing saw blades.

1. Press and hold down the spindle lock button (1).
2. Use the hex key to slacken the clamping screw (2).
3. Remove the clamping screw and the clamping flange (3).
4. Open the pivoting guard (4) and remove the saw blade (5).



If necessary, the mounting flange can be removed for cleaning.

6 Operation

Observe the safety instructions and warnings in this documentation and on the product.

6.1 Latching / unlatching carriage

The carriage can be latched at any point along its line of movement.

1. To latch the carriage, turn the locking screw (1) clockwise.
 - ▶ The locking screw clamps the slider bar, preventing the sliding movement.
2. To unlock the carriage, turn the locking screw (1) counter-clockwise.

6.2 Setting the cutting depth on the depth gauge

Use the depth gauge when you want to saw a groove, for example.

1. Swivel the stop plate (1) of the depth gauge so that the depth gauge does not pass through the opening when the saw head is lowered.
2. Turn the knurled screw to set the desired cutting depth (2).



- When you no longer want to limit the cutting depth, swivel the stop plate **(1)** so that the depth gauge passes through the opening when the saw head is lowered.

6.3 Extending saw table

WARNING

Risk of injury by long workpieces. Long workpieces can tilt erratically out of position while cutting is in progress, lift up the guard, pinch the saw blade and lead to kickback.

- ▶ Support long workpieces with additional sawhorses or comparable supporting structures.

The contact surface of the saw table can be extended to right and/or left with the extension supports.

- Open the release lever of the extension support **(1)**.
- Pull the extension support out **(2)**.
- Lock the release lever of the extension support **(1)**.
- If necessary, repeat these steps for the opposing extension support.

6.4 Setting top miter fences

Depending on the bevel angle and/or the miter angle setting, the top miter fences have to be moved outward or completely removed.

- Open the release lever **(1)** of the top miter fence, left or right.
- Pull the top miter fence **(2)** outward as far as necessary or remove the miter fence.
- Close the release lever **(1)**.
 - ▶ Reinstall the top miter fences at the innermost position when you are going to make straight cuts.
- If it has been removed, the top miter fence can be secured to the rods of the extension support for safekeeping while the sawing operation is in progress.

6.5 Setting miter angle

WARNING

Risk of injury if turntable not latched. If not latched the turntable can turn while the cut is in progress, skewing the workpiece and leading to kickback.

- ▶ Always tighten the locking knob of the turntable before you perform a cut.

Conditions: Standard miter angles

For quick, accurate selection of the commonly used miter angles, there are notches on the scale of the miter angle. The turntable can be latched at these notches.

Detent positions, miter angle

Left	Middle	Right
45°; 31.6°; 22.5°; 15°	0°	15°; 22.5°; 31.6°; 45°; 60°

- ▶ If applicable, loosen the locking knob of the turntable **(2)**.
- ▶ Pull the release lever of the turntable up and hold it in this position **(1)** and turn the turntable to a position just short of the desired miter angle **(3)**.
- ▶ Let go of the turntable release lever and turn the turntable farther until the latching mechanism engages at the desired miter angle.
- ▶ Tighten the locking knob of the turntable **(2)**.

Conditions: Any miter angle

Apart from the standard miter angles, a freely selectable miter angle can be set.

- ▶ If applicable, loosen the locking knob of the turntable **(2)**.
- ▶ Pull the release lever of the turntable **(1)** up and latch it **(4)**.
- ▶ Set the turntable to the desired miter angle **(3)**.
- ▶ Tighten the locking knob of the turntable **(2)**.



6.6 Setting bevel angle **11**

WARNING

Risk of injury if inclination mechanism for bevel cut not latched. If the adjuster of the bevel angle is not latched the saw head can tilt while cutting is in progress, leading to kickback.

- ▶ After adjusting, always push the release lever of the bevel angle fully down to latch the inclination mechanism.

CAUTION

Risk of injury by top miter fences. When set for a bevel angle cut, the saw blade can collide with the top miter fences, leading to damage and kickback.

- ▶ After setting the bevel angle for a bevel cut, always check that the saw blade has clearance and set the top miter fences as far out as necessary.

For quick, accurate selection of the commonly used bevel angles, the saw head can be latched at any of several positions.

Detent positions, bevel angle

Left	Middle	Right
45°; 33.9°; 22.5°	0°	22.5°; 33.9°; 45°

- ▶ Pull the release lever of the bevel angle adjuster up to disengage it **(2)**.
- ▶ Pull the release lever of the vertical angle adjuster fully up so that the saw head can be moved freely **(3)**.
- ▶ Let go of the release lever and tilt the saw head until the latching mechanism engages.
 - ▶ The saw head can be latched at any of the positions stated above.
- ▶ Then push the release lever fully down **(1)** to lock the saw head at the set position.
- ▶ If you want to freely select a bevel angle, hold the release lever of the bevel angle adjuster in the topmost position **(3)** until you have reached the desired bevel angle.
- ▶ Then push the release lever fully down **(1)** to lock the saw head at the set position.
- ▶ Set the top miter fences to a position where they cannot collide with the saw blade. → page 14

6.7 Activating cutting line indicator

The saw has a cutting line indicator. An LED in the saw head illuminates the work area and creates a shadow cast by the saw blade that precisely indicates the cutting line.

1. Activate the on / off switch without pressing the switch-on interlock.
 - ▶ The LED is activated.
2. Guide the saw head down.
 - ▶ The shadow of the saw blade appears on the workpiece and shows the cutting line.
3. If necessary, adjust the workpiece or the setting for the miter angle and/or bevel angle to match the cutting line.

6.8 Positioning and securing workpiece **12, 13, 14**

WARNING

Risk of injury due to twisted wood. A twisted and/or bowed workpiece can skew against the saw blade and lead to kickback.

- ▶ Always position twisted or bowed workpieces with the outward curving side against the miter fence. Never position a workpiece in such a way that a gap is produced between workpiece and miter fences.

WARNING

Risk of injury due to incorrect positioning of the workpiece. An incorrectly positioned workpiece can skew against the saw blade and lead to kickback.

- ▶ Always position the workpiece such that it is seated with the largest possible contact surface on the turntable, the supports and the miter fences.



 **WARNING**

Risk of injury by unsecured workpiece! If the workpiece is not correctly secured against the miter fence, the workpiece can shift during cutting and cause possible damage to the saw blade, which can lead to ejection of the workpiece and loss of control.

- ▶ For all operations, the workpiece has to be firmly secured against the turntable and the miter fence with the screw clamp.

 **WARNING**

Risk of injury by contact between components of the saw and the screw clamp! Contact with the screw clamp can damage the saw blade. The protective devices can be obstructed by the screw clamp and restricted in their functionality. The movement of the saw head can be obstructed by the screw clamp, leading to kickback.

- ▶ With the saw switched off, perform a dry run of the expected movement. Make sure that no components of the saw come into contact with the screw clamp.
 - ▶ If necessary, reposition the screw clamp on the saw.
-
- ▶ Press the release button of the screw clamp **(2)** and pull the threaded rod all the way up.
 - ▶ Insert the screw clamp into one of the openings provided for the purpose **(1)**.
 - ▶ Press the workpiece firmly against the bottom miter fence.
 - ▶ Press the release button of the screw clamp to quickly adjust the threaded rod to the workpiece **(2)**.
 - ▶ Tilt the screw clamp to the rear, opposite to the position of the threaded rod **(3)**. Then tighten the threaded rod by screwing the knob clockwise to secure the workpiece **(4)**.
 - ▶ To release the workpiece, screw the threaded rod counter-clockwise. Then press the release button of the screw clamp and pull the threaded rod all the way up.

6.9 Setting speed

- ▶ Set the speed by means of the speed adjusting knob.

6.10 Switching on / off

 **WARNING**

Risk of injury by kickback.

- ▶ Switch the saw on only when the saw blade is not in contact with the workpiece.

 **WARNING**

Risk of injury by kickback.

- ▶ After switching off, keep the saw head in the bottommost position until the saw blade has come to a standstill.

1. Press and hold down the switch-on interlock.
2. Press and hold down the on/off switch.
 - ▶ The saw runs.
3. To switch the saw off, release the on / off switch.

6.11 Sawing **15**

 **WARNING**

Risk of injury due to incorrect positioning of hands and arms. If positioning is incorrect the rotating saw blade can come into contact with arms and hands and cause serious injuries.

- ▶ Never cross over your arms when sawing. Never cross an arm or hand over the cutting line.
- ▶ Keep arms and hands outside the marked danger zone to right and left of the saw blade.

Correct posture and correct positioning of the hands when working with the miter saw make cutting easier, more accurate and safer.

Stand firmly with both feet on the floor and maintain your balance. When you move the miter arm to left or right follow it and stand slightly to one side of the saw blade.

Keep the danger zone of 230 mm (9 in) to the left and 270 mm (10.4 in) to the right of the saw blade clear. Keep hands, arms and other body parts outside this danger zone.



Keep your hands in position until the on / off switch has been released and the saw blade has come to a complete standstill.

To perform the cut, push the saw head down gently and smoothly. Excessive pressure or the application of force at an angle to the cutting line can cause the saw blade to oscillate, which can produce additional saw marks in the workpiece and impair the accuracy of the cut.

6.11.1 Sawing without push movement (chop sawing)

WARNING

Risk of injury if carriage not latched. If not latched the carriage can cause an unexpected sliding movement of the saw head, leading to kickback.

► Always latch the carriage for making chop cuts.

1. Push the saw head all the way back (away from you).
2. Latch the carriage. → page 13
3. Position the stop plate of the depth gauge so that the depth gauge passes through the opening when the saw head is lowered. → page 13
4. Adjust all the settings of the saw (angles, miter fences, contact surfaces) to suit the requirements of the cut you are going to perform.
5. Secure the workpiece. → page 15
6. Switch the saw on. → page 16
7. Guide the saw head slowly down and saw through the workpiece at a steady rate of advance.
8. Switch the saw off and wait until the saw blade comes to a standstill.
9. Guide the saw head back up to the top position.

6.11.2 Sawing with push movement

WARNING

Kickback due to incorrect movement of the saw head. Incorrect movement of the saw head in the course of a cut with push movement can cause a kickback.

- Before making a cut, always first pull the saw head all the way out, then lower it and finally push it toward the miter fences.
- Never pull the saw head toward you when the saw blade has already entered the workpiece.

When making a cut with push movement, push the saw head to the miter fence gently and without pausing. If the push movement is interrupted in the course of the cut, the saw blade leaves marks on the workpiece and the accuracy of the cut is impaired.

1. If necessary, unlock the carriage. → page 13
2. Position the stop plate of the depth gauge so that the depth gauge passes through the opening when the saw head is lowered. → page 13
3. Adjust all the settings of the saw (angles, miter fences, contact surfaces) to suit the requirements of the cut you are going to perform.
4. Secure the workpiece. → page 15
5. Pull the saw head all the way toward you.
6. Switch the saw on. → page 16
7. Slowly guide the saw head down.
8. Keep the saw head in its bottommost position and slowly push it back (away from you). Saw the workpiece through at a steady rate of advance.
9. Switch the saw off and wait until the saw blade comes to a standstill.
10. Guide the saw head back up to the top position.

6.11.3 Sawing a groove

1. Adjust the depth gauge to the desired cutting depth. → page 13
2. Perform a cut with push movement. → page 17



6.11.4 Sawing moldings



WARNING

Risk of injury due to incorrect securing of the workpiece. An incorrectly secured workpiece can skew against the saw blade and lead to kickback.

- ▶ When you position the molding against the miter fence, take extra care to ensure that the molding is adequately secured to prevent it moving out of position. → page 15

Moldings can be sawed in either of two ways:

- set upright against the miter fence
- Laid flat on the saw table
- ▶ Make the cut with or without push movement, depending on the width of the molding.
- ▶ First test the set miter angle and/or the bevel angle on an offcut.

7 Care and maintenance



WARNING

Risk of injury with battery inserted !

- ▶ Always remove the battery before carrying out care and maintenance tasks!

Care of the product

- Carefully remove stubborn dirt.
- Clean the air vents carefully using a dry, soft brush.
- Use only a slightly damp cloth to clean the housing. Do not use cleaning agents containing silicone as these can attack the plastic parts.
- Use a dry, clean cloth to clean the contacts of the product.
- Clean the slider bars of the carriage and the extension supports at regular intervals. After each cleaning, apply a few drops of oil to all slider bars.
- Clean the contact surfaces of the top miter fences at regular intervals. Regrease the contact surfaces as necessary.

Care of the Li-ion batteries

- Never use a battery with clogged air vents. Clean the air vents carefully using a dry, soft brush.
- Avoid unnecessary exposure of the battery to dust and dirt. Never expose the battery to high levels of moisture (e.g. by being dipped in water or left in the rain).
If a battery has been soaked by moisture, treat it as a damaged battery. Isolate it in a non-flammable container and consult **Hilti Service**.
- Keep the battery free of extraneous oil and grease. Do not permit dust or dirt to accumulate unnecessarily on the battery. Clean the battery with a dry, soft brush or a clean, dry cloth. Do not use cleaning agents containing silicone as these can attack the plastic parts.
Do not touch the contacts of the battery and do not remove the factory-applied grease from the contacts.
- Use only a slightly damp cloth to clean the housing. Do not use cleaning agents containing silicone as these can attack the plastic parts.

Maintenance

- Check all visible parts and controls for signs of damage at regular intervals and make sure that they all function correctly.
- Do not use the product if signs of damage are found or if parts malfunction. Immediately have the product repaired by **Hilti Service**.
- After cleaning and maintenance, install all guards and protective devices and check that they are in full working order.



To help ensure safe and reliable operation, use only genuine Hilti spare parts and consumables. Spare parts, consumables and accessories approved by **Hilti** for use with your product can be found at your **Hilti Store** or online at: www.hilti.group

7.1 Cleaning the guard

1. Remove the saw blade. → page 13
2. Clean the parts of the guard carefully with a dry brush.



3. Use a suitable tool to remove deposits or cuttings from the inside surfaces of the parts of the guard.
4. Install the saw blade. → page 13

7.2 Cleaning dust removal adapter and connecting hose **17**

1. Remove the dust bag or disconnect the suction hose of the dust extractor.
2. Slacken the securing screw of the connecting hose on the saw head **(1)**.
3. Disconnect the connecting hose from the saw head **(2)** and from the dust removal adapter.
4. Empty the connecting hose and clean it with a dry brush.
5. Clean the chip ejector channel on the saw head and the dust removal adapter with a dry brush.
6. Reconnect the connecting hose to the dust removal adapter and the saw head.
7. Tighten the securing screw of the connecting hose on the saw head.
8. Install the dust bag or reconnect the dust extractor. → page 12

7.3 Emptying dust bag **18**

1. Disconnect the dust bag from the intake adapter.
2. Open the zip fastener of the dust bag and dispose of the contents correctly.
3. Close the zip fastener of the dust bag.
4. Reinstall the dust bag on the dust removal adapter. → page 12

7.4 Checking and adjusting settings and indicators

The dual-bevel compound sliding miter saw was carefully set up and adjusted before it left the factory. However, after intensive use or rough treatment it might be necessary to check the saw's settings and indicators and make adjustments as required.

Experience and special tools are necessary for checking and adjusting the saw.

Hilti recommends having the saw adjusted only by **Hilti Service**.



When performing checking and adjustment work with the angle gauge, do not touch the tips of the saw teeth with the gauge. This would result in incorrect measurement. The angle gauge must always be matched to the saw blade disc.

7.4.1 Checking bevel angle

1. Push the saw head all the way back (away from you).
2. Position the stop plate of the depth gauge so that the depth gauge passes through the opening when the saw head is lowered. → page 13
3. Set the miter angle to 0°.
4. Push the saw head down and engage the transport lock to lock the saw head.
5. Set the bevel angle to 0°.
6. Set an angle gauge to 90°.
7. Set the angle gauge upright and flush on the saw table.
8. Move the angle gauge to the saw blade.
 - ▶ The angle gauge must be flush with the saw blade along the entire line.
9. Set the bevel angle to 45° right.
10. Set the angle gauge to 45° (alternatively, 135° for measurement from the left side).
11. Set the angle gauge upright and flush on the saw table.
12. Move the angle gauge to the saw blade.
 - ▶ The angle gauge must be flush with the saw blade along the entire line.
13. Repeat the steps for the 45° left bevel angle.

Result 1 / 2

The angle gauge is flush with the saw blade along the entire line in all three measurements.

- ▶ The saw is correctly adjusted.

Result 2 / 2

The angle gauge and the saw blade are not flush in one or more measurements.

- ▶ Contact **Hilti Service**.

7.4.2 Adjusting pointers for bevel angle **19**

1. Check that the bevel angle is perfectly accurate. → page 19



2. Set the bevel angle to 0°.
3. Slacken the securing screw of one pointer for the bevel angle and set it exactly to the 0° reading.
4. Retighten the securing screw hand-tight. In this process, hold the pointer exactly at the 0° reading.
5. If necessary, repeat the step for the second pointer for the bevel angle.
6. Check that the actual bevel angle and the two pointers match for the 45° right and 45° left angles.
 - ▶ If the check shows that a pointer does not match the actual angle at one or more positions and cannot be corrected by adjustment, consult **Hilti Service**.

7.4.3 Checking miter angle

1. Push the saw head all the way back (away from you).
2. Position the stop plate of the depth gauge so that the depth gauge passes through the opening when the saw head is lowered. → page 13
3. Set the bevel angle to 0°.
4. Push the saw head down and engage the transport lock to lock the saw head.
5. Set the miter angle to 0°.
6. Set an angle gauge to 90°.
7. Lay the angle gauge flat on the saw table and flush against the miter fence.
8. Move the angle gauge to the saw blade.
 - ▶ The angle gauge must be flush with the saw blade along the entire line.
9. Set the miter angle to 45° right.
10. Set the angle gauge to 45° (alternatively, 135° for measurement from the left side).
11. Lay the angle gauge flat on the saw table and flush against the miter fence.
12. Move the angle gauge to the saw blade.
 - ▶ The angle gauge must be flush with the saw blade along the entire line.
13. Repeat the steps for the 45° left miter angle.

Result 1 / 2

The angle gauge is flush with the saw blade along the entire line in all three measurements.

- ▶ The saw is correctly adjusted.

Result 2 / 2

The angle gauge and the saw blade are not flush in one or more measurements.

- ▶ Adjust the miter angle or consult **Hilti Service**. → page 20

7.4.4 Adjusting miter angle and scale **20**

1. Latch the turntable at the 0° position.
2. Loosen the locking knob of the turntable.
3. Loosen the four securing screws of the scale of the miter angle.
4. Set an angle gauge to 90°.
5. Lay the angle gauge flat on the saw table and flush against the miter fence.
6. Move the angle gauge to the saw blade. Adjust the turntable including the scale of the miter angle on the basis of the angle gauge.
 - ▶ The angle gauge must be flush with the saw blade along the entire line.
7. Tighten the locking knob of the turntable to prevent movement of the turntable.
8. Tighten the four securing screws of the scale of the miter angle.
9. Check the 45° right and 45° left miter angles. → page 20

Result 1 / 2

At the 45° right and 45° left miter angles, the angle gauge is flush with the saw blade along the entire line.

- ▶ The saw is correctly adjusted.

Result 2 / 2

The angle gauge and the saw blade are not flush in one or more measurements.

- ▶ Contact **Hilti Service**.

7.4.5 Adjusting pointers for miter angle **21**

1. Check that the miter angle is perfectly accurate. → page 20
2. If necessary, adjust the miter angle. → page 20
3. Set the miter angle to 0°.
4. Slacken the securing screw of one pointer for the miter angle and set it exactly to the 0° reading.
5. Retighten the securing screw hand-tight. In this process, hold the pointer exactly at the 0° reading.



6. If necessary, repeat the step for the second pointer for the miter angle.
7. Check that the actual miter angle and the two pointers match for the 45° right and 45° left angles.
 - ▶ If the check shows that a pointer does not match the actual angle at one or more positions and cannot be corrected by adjustment, consult **Hilti** Service.

7.5 Replacing dust trap **22**

WARNING

Risk of injury by incorrectly installed deflectors. If a deflector is installed wrong way round, the saw blade can be trapped. The deflector or the saw blade could break and fragments could be ejected.

- ▶ When installing the deflectors, make sure they are installed the right way round. The spring-loaded part of the deflector must face away from the saw blade.

1. Unscrew securing screws **(1)** on one side and remove deflector **(3)**.
2. Unscrew the securing screws on the opposite side and remove the second deflector and dust trap **(2)**.
3. Insert new dust trap **(2)** and one deflector **(3)**.
 - ▶ Make sure that the deflector is correctly positioned.
4. Screw both parts on with the securing screws.
5. Tighten the screws to secure the second deflector and the dust trap on the opposite side.
 - ▶ Make sure that the deflector is correctly positioned.
 - ▶ Check that the dust trap and both deflectors are secure.

7.6 Replacing slot plates **23**

The slot plates are set ex-works so that they do not come into contact with the saw blade. Nevertheless, to a certain extent the slot plates are subject to wear. **Hilti** offers the slot plates as a spare part. They can be replaced quickly and easily by the user.

1. Open all securing screws of the slot plates and dispose of the worn out slot plates.
2. Install the new slot plates.
3. Tighten the securing screws to the point at which the slot plates can still be moved.
4. Adjust the position of the slot plates so that the saw blade does not come into contact with them.
 - ▶ In particular, check the maximum right and left bevel angles.
 - ▶ Also check all other miter angles and bevel angles.
5. After completing the adjustments, tighten all the securing screws hand-tight.

8 Transport and storage of cordless tools and batteries **24, 25**

Transport of the dual-bevel compound sliding miter saw

Step through the procedure below before you transport the saw:

- ▶ Push the saw head all the way back (away from you).
- ▶ Latch the carriage. → page 13
- ▶ Position the stop plate of the depth gauge so that the depth gauge passes through the opening when the saw head is lowered. → page 13
- ▶ Set the bevel angle to 0°.
- ▶ Push the saw head down and engage the transport lock to lock the saw head.
- ▶ If applicable, push the extension supports all the way in. → page 14
- ▶ Set the miter angle all the way to the right (60° position) and latch the turntable in this position.
- ▶ Remove all accessories (e.g. screw clamp) that cannot be permanently installed on the saw.
- ▶ If necessary, remove the locking knob and secure it in one of the holders on the back of the top miter fence.

Carry the saw by holding it only at the points provided for the purpose:

- Grip recesses underneath the extension supports **(1)**
- Grip recess in the rear area beside the dust extractor **(2)**
- Grip on the saw head **(3)**



Transport of batteries

CAUTION

Accidental starting during transport !

- ▶ Always transport your products with the batteries removed!
-
- ▶ Remove the battery/batteries.
 - ▶ Never transport batteries loose and unprotected. During transport, batteries should be protected from excessive shock and vibration and isolated from any conductive materials or other batteries that may come in contact with the terminals and cause a short circuit. **Comply with the locally applicable regulations for transporting batteries.**
 - ▶ Do not send batteries through the mail. Consult your shipper for instructions on how to ship undamaged batteries.
 - ▶ Prior to each use and before and after prolonged transport, check the product and the batteries for damage.

Storage

WARNING

Accidental damage caused by defective or leaking batteries !

- ▶ Always store your products with the batteries removed!
-
- ▶ Store the product and the batteries in a cool and dry place. Comply with the temperature limits stated in the technical data.
 - ▶ Do not store batteries on the charger. Always remove the battery from the charger when the charging operation has completed.
 - ▶ Never leave batteries in direct sunlight, on sources of heat, or behind glass.
 - ▶ Store the product and batteries where they cannot be accessed by children or unauthorized persons.
 - ▶ Prior to each use and before and after prolonged storage, check the product and the batteries for damage.

9 Troubleshooting

If a problem occurs, always observe the status indicator of the battery. See the section headed **Status indicators of the Li-ion battery**.

If the trouble you are experiencing is not listed in this table or you are unable to rectify the problem by yourself, contact **Hilti Service**.

Trouble or fault	Possible cause	Action to be taken
Running speed suddenly drops considerably.	Battery is discharged.	▶ Charge the battery.
	Saw advance pressure is too high.	▶ Reduce advance pressure and switch the power tool back on.
The saw blade stalls.	Saw advance pressure is too high.	▶ Reduce advance pressure and switch the power tool back on.
The motor has no braking effect.	Battery is discharged.	▶ Charge the battery.
Cutting angles are inaccurate.	The angular accuracy, the scales or the pointers are maladjusted.	<ul style="list-style-type: none"> ▶ Check and adjust the settings and indicators. → page 19 ▶ If you cannot adjust a setting yourself or the saw's accuracy is too badly off, consult Hilti Service.
LEDs of the battery show nothing	Battery defective	▶ Contact Hilti Service .



10 Disposal

WARNING

Risk of injury due to incorrect disposal! Health hazards due to escaping gases or liquids.

- ▶ DO NOT send batteries through the mail!
- ▶ Cover the terminals with a non-conductive material (such as electrical tape) to prevent short circuiting.
- ▶ Dispose of your battery out of the reach of children.
- ▶ Dispose of the battery at your **Hilti Store**, or consult your local governmental garbage disposal or public health and safety resources for disposal instructions.

Most of the materials from which **Hilti** products are manufactured can be recycled. The materials must be correctly separated before they can be recycled. In many countries, your old tools, machines or appliances can be returned to **Hilti** for recycling. Ask **Hilti Service** or your Hilti sales representative for further information.



- ▶ Do not dispose of power tools, electronic equipment or batteries as household waste!

11 Manufacturer's warranty

- ▶ Please contact your local **Hilti** representative if you have questions about the warranty conditions.

12 Further information

For more information on operation, technology, environment and recycling, follow this link: qr.hilti.com/manual/?id=2395173

This link is also to be found at the end of the operating instructions, in the form of a QR code.

Mode d'emploi original

1 Indications relatives au mode d'emploi

1.1 À propos de ce mode d'emploi

- Avertissement ! Il convient de lire et comprendre toute la documentation jointe, y compris, sans s'y limiter, les instructions, avertissements de sécurité, illustration et spécifications fournies avec le présent produit. Prenez connaissance de toutes les instructions, avertissements de sécurité, illustrations, spécifications et fonctions du produit avant de l'utiliser. Tout manquement à cette obligation peut entraîner un choc électrique, un incendie, et/ou des blessures graves. Conservez l'ensemble des avertissements et instructions pour consultation ultérieure.
- La documentation ci-jointe correspond à l'état actuel de la technique à la date d'impression. Veuillez toujours consulter la dernière version sur la page du produit sur le site Internet de Hilti. Pour ce faire, suivez le lien ou scannez le code QR dans la documentation, indiqué par le symbole .
- Ne pas prêter ou céder le produit à un autre utilisateur sans lui fournir le présent mode d'emploi.

1.2 Explication des symboles

1.2.1 Avertissements

Les avertissements attirent l'attention sur des dangers liés à l'utilisation du produit. Les termes de signalisation suivants sont utilisés :

DANGER

DANGER !

- ▶ Pour un danger imminent qui peut entraîner de graves blessures corporelles ou la mort.

AVERTISSEMENT

AVERTISSEMENT !

- ▶ Pour un danger potentiel qui peut entraîner de graves blessures corporelles ou la mort.



ATTENTION

ATTENTION !

- Pour une situation potentiellement dangereuse pouvant entraîner des blessures corporelles ou des dégâts matériels.

1.2.2 Symboles dans le manuel d'utilisation

Les symboles suivants sont utilisés dans le présent manuel d'utilisation :

	Respecter le manuel d'utilisation
	Pour des conseils d'utilisation et autres informations utiles
	Maniement des matériaux recyclables
	Ne pas jeter les appareils électriques et les accus dans les ordures ménagères
	Hilti Accu Li-Ion
	Hilti Chargeur

1.2.3 Symboles dans les illustrations

Les symboles suivants sont utilisés dans les illustrations :

	Ces chiffres renvoient à l'illustration correspondante au début du présent manuel d'utilisation.
	La numérotation dans les illustrations indique les étapes de travail importantes ou les composants importants pour les étapes de travail. Dans le texte, ces étapes de travail ou composants sont mis en évidence avec les numéros correspondants, par ex. (3) .
	Les numéros de position sont utilisés dans l'illustration Vue d'ensemble et renvoient aux numéros des légendes dans la section Vue d'ensemble du produit .
	Ce signe doit inviter à manier le produit en faisant particulièrement attention.

1.3 Symboles spécifiques au produit

1.3.1 Symboles généraux

Symboles utilisés en liaison avec le produit.

	Le produit prend en charge la technologie NFC qui est compatible avec les plates-formes iOS et Android.
	Courant continu
n_0	Vitesse nominale à vide
\varnothing	Diamètre
	Dimensions de la lame de scie
	Ne pas regarder dans la source lumineuse.
Li-Ion	Accu lithium-ions
	Ne jamais taper sur la batterie avec un objet et ne jamais utiliser la batterie comme outil de percussion.
	Ne pas laisser tomber l'accu. Ne pas utiliser d'accu ayant subi un choc ou d'autres dommages.
	Série de type d'accu Li-Ion Hilti utilisée. Observer les instructions au chapitre Utilisation conforme à l'usage prévu .





Si présent sur le produit, c'est que le produit a été certifié conformément aux normes en vigueur par cet organisme de certification pour le marché nord-américain et canadien.

1.3.2 Symboles d'interdiction

Les symboles d'interdiction indiquent des actions interdites.



Périmètre de sécurité ! Garder les mains, les doigts et les bras hors de ce périmètre.

1.3.3 Symboles d'obligation

Les symboles d'obligation indiquent des actions obligatoires.



Porter un casque antibruit



Porter des lunettes de protection

1.4 Informations produit

Les produits sont destinés aux professionnels et ne doivent être utilisés, entretenus et réparés que par un personnel autorisé et formé. Ce personnel doit être spécialement instruit quant aux dangers inhérents à l'utilisation de l'appareil. Le produit et ses accessoires peuvent s'avérer dangereux s'ils sont utilisés de manière incorrecte par un personnel non qualifié ou de manière non conforme à l'usage prévu.

La désignation du modèle et le numéro de série figurent sur sa plaque signalétique.

- ▶ Inscrivez le numéro de série dans le tableau suivant. Les informations produit vous seront demandées lorsque vous contactez nos revendeurs ou services après-vente.

Caractéristiques produit

Scie à onglet radiale sur accu	SM 60-22
Génération	01
N° de série	

2 Sécurité

2.1 Indications générales de sécurité pour les appareils électriques

⚠ AVERTISSEMENT Lire toutes les consignes de sécurité et instructions, illustrations et caractéristiques techniques, qui accompagnent cet outil électroportatif. Tout manquement à l'observation des instructions suivantes risque de provoquer une électrocution, un incendie et/ou de graves blessures.

Les consignes de sécurité et instructions doivent être intégralement conservées pour les utilisations futures.

La notion d'« outil électroportatif » mentionnée dans les consignes de sécurité se rapporte à des outils électriques raccordés au secteur (avec câble d'alimentation) et à des outils électriques sur accu (sans câble d'alimentation).

Sécurité sur le lieu de travail

- ▶ **Conserver la zone de travail propre et bien éclairée.** Un lieu de travail en désordre ou mal éclairé augmente le risque d'accidents.
- ▶ **Ne pas faire fonctionner les outils électriques en atmosphère explosive et où se trouvent des liquides, des gaz ou poussières inflammables.** Les outils électriques produisent des étincelles qui peuvent enflammer les poussières ou les fumées.
- ▶ **Maintenir les enfants et les personnes présentes à l'écart pendant l'utilisation de l'outil électroportatif.** En cas d'inattention il y a risque de perdre le contrôle de l'appareil.

Sécurité relative au système électrique

- ▶ **La fiche de secteur de l'outil électroportatif doit être adaptée à la prise de courant. Ne jamais modifier la fiche de quelque façon que ce soit. Ne pas utiliser d'adaptateurs avec des outils électriques à branchement de terre.** Des fiches non modifiées et des prises de courant adaptées réduiront le risque de choc électrique.
- ▶ **Éviter le contact physique avec des surfaces mises à la terre tels que tuyaux, radiateurs, cuisinières et réfrigérateurs.** Il y a un risque élevé de choc électrique au cas où votre corps serait relié à la terre.



- ▶ **Ne pas exposer les outils électroportatifs à la pluie ou à l'humidité.** La pénétration d'eau à l'intérieur d'un outil électroportatif augmentera le risque d'un choc électrique.
- ▶ **Ne jamais utiliser le câble de raccordement à d'autres fins que celles prévues, telles que pour porter, accrocher ou débrancher l'outil électroportatif de la prise de courant. Maintenir le câble de raccordement à l'écart de la chaleur, des parties grasses, des bords tranchants ou des parties en mouvement.** Des câbles de raccordement endommagés ou emmêlés augmentent le risque de choc électrique.
- ▶ **Si l'outil électroportatif est utilisé à l'extérieur, utiliser uniquement des câbles de rallonge homologués pour les applications extérieures.** L'utilisation d'un câble de rallonge homologué pour les applications extérieures réduit le risque d'un choc électrique.
- ▶ **Si l'utilisation de l'outil électrique dans un environnement humide ne peut pas être évitée, utiliser un interrupteur de protection contre les courants de court-circuit.** L'utilisation d'un tel interrupteur de protection réduit le risque d'une décharge électrique.

Sécurité des personnes

- ▶ **Rester vigilant, surveiller ce que l'on fait. Faire preuve de bon sens en utilisant l'outil électroportatif. Ne pas utiliser l'outil électroportatif en étant fatigué ou sous l'emprise de l'alcool, de drogues ou de médicaments.** Un moment d'inattention lors de l'utilisation de l'outil électroportatif peut entraîner des blessures graves.
- ▶ **Utiliser un équipement de protection personnel et toujours porter une protection pour les yeux.** Les équipements de protection personnels tels que masque antipoussière, chaussures de sécurité antidérapantes, casque de protection ou protection acoustique suivant l'utilisation de l'outil électroportatif, réduiront le risque de blessures des personnes.
- ▶ **Éviter une mise en service par mégarde. S'assurer que l'outil électroportatif est arrêté avant de le brancher à la source de courant et/ou à l'accu, de le prendre ou de le porter.** Le fait de porter l'outil électroportatif avec le doigt sur l'interrupteur ou de brancher l'appareil sur la source de courant lorsque l'interrupteur est en position de fonctionnement peut entraîner des accidents.
- ▶ **Retirer tout outil de réglage ou toute clé avant de mettre l'outil électroportatif en fonctionnement.** Une clé ou un outil se trouvant sur une partie en rotation peut causer des blessures.
- ▶ **Adopter une bonne posture. Veiller à toujours garder une position stable et équilibrée.** Cela permet un meilleur contrôle de l'outil électroportatif dans des situations inattendues.
- ▶ **S'habiller de manière adaptée. Ne pas porter de vêtements amples ni de bijoux. Garder les cheveux, les vêtements et les gants à distance des parties en mouvement.** Des vêtements amples, des bijoux ou des cheveux longs peuvent être happés par des parties en mouvement.
- ▶ **Si des dispositifs servant à aspirer ou à recueillir les poussières doivent être utilisés, s'assurer qu'ils sont effectivement raccordés et correctement utilisés.** L'utilisation d'un dispositif d'aspiration de la poussière peut réduire les risques dus aux poussières.
- ▶ **Ne pas sous-estimer les mesures de sécurité à prendre et ne pas ignorer sciemment les règles de sécurité applicables aux outils électriques, même si l'on est utilisateur chevronné après de fréquentes utilisations de l'outil électroportatif.** Un manque d'attention peut conduire à de graves blessures en quelques fractions de seconde.

Utilisation et maniemment de l'outil électroportatif

- ▶ **Ne pas forcer l'appareil. Utiliser l'outil électroportatif adapté au travail à effectuer.** Un outil électroportatif approprié réalisera mieux le travail et de manière plus sûre au régime pour lequel il a été conçu.
- ▶ **Ne pas utiliser d'outil électroportatif dont l'interrupteur est défectueux.** Tout outil électroportatif qui ne peut plus être mis en ou hors fonctionnement est dangereux et doit être réparé.
- ▶ **Débrancher la fiche de la prise de courant et/ou l'accu amovible avant d'effectuer des réglages sur l'appareil, de changer les accessoires, ou de ranger l'appareil.** Cette mesure de précaution empêche une mise en fonctionnement par mégarde de l'outil électroportatif.
- ▶ **Conserver les outils électroportatifs non utilisés hors de portée des enfants. Ne permettre l'utilisation de l'appareil à aucune personne qui ne soit pas familiarisée avec celui-ci ou qui n'a pas lu ces instructions.** Les outils électroportatifs sont dangereux lorsqu'ils sont entre les mains de personnes non initiées.
- ▶ **Prendre soin des outils électroportatifs et des accessoires. Vérifier que les parties en mouvement fonctionnent correctement et qu'elles ne sont pas coincées, et contrôler si des parties sont cassées ou endommagées de sorte que le bon fonctionnement de l'outil électroportatif s'en trouve entravé. Faire réparer les parties endommagées avant d'utiliser l'appareil.** De nombreux accidents sont dus à des outils électroportatifs mal entretenus.
- ▶ **Garder les outils de coupe affûtés et propres.** Des outils destinés à couper correctement entretenus avec des arêtes de coupe tranchantes sont moins susceptibles de bloquer et sont plus faciles à contrôler.



- ▶ **L'outil électroportatif, les accessoires, les outils amovibles, etc. doivent être utilisés conformément à ces instructions. Tenir également compte des conditions de travail et du travail à réaliser.** L'utilisation des outils électroportatifs à d'autres fins que celles prévues peut entraîner des situations dangereuses.
- ▶ **Veiller à ce que les poignées et surfaces de préhension soient toujours être sèches, propres et exemptes de traces de graisse ou d'huile.** Avec des poignées et surfaces de préhension glissantes, la sécurité et le contrôle de l'outil électroportatif ne peuvent être assurés dans des situations inopinées.

Utilisation et maniement de l'outil sur accu

- ▶ **Ne charger les accus que dans des chargeurs recommandés par le fabricant.** Si un chargeur approprié à un type spécifique d'accu est utilisé avec des accus non recommandés pour celui-ci, il y a risque d'incendie.
- ▶ **Dans les outils électroportatifs, utiliser uniquement les accus spécialement prévus pour ceux-ci.** L'utilisation de tout autre accu peut entraîner des blessures et des risques d'incendie.
- ▶ **Tenir l'accu non utilisé à l'écart de tous objets métalliques tels qu'agrafes, pièces de monnaie, clés, clous, vis ou autres, étant donné qu'un pontage peut provoquer un court-circuit.** Un court-circuit entre les contacts d'accu peut provoquer des brûlures ou un incendie.
- ▶ **En cas d'utilisation abusive, du liquide peut sortir de l'accu. Éviter tout contact avec ce liquide. En cas de contact par mégarde, rincer soigneusement avec de l'eau. Au cas où le liquide rentrerait dans les yeux, consulter en plus un médecin.** Le liquide qui sort de l'accu peut entraîner des irritations de la peau ou causer des brûlures.
- ▶ **Ne pas utiliser d'accu endommagé ou modifié.** Des accus endommagés ou modifiés peuvent avoir un comportement imprévisible et provoquer un incendie, une explosion ou engendrer un risque de blessures.
- ▶ **Ne jamais exposer l'accu au feu ou à des températures trop élevées.** Le feu ou des températures supérieures à 130 °C (265 °F) peuvent provoquer une explosion.
- ▶ **Suivre toutes les instructions de charge et ne jamais charger l'accu ou l'outil sur accu hors de la plage de températures spécifiée dans le manuel d'utilisation.** Une charge inappropriée ou hors de la plage de températures spécifiée risque d'endommager l'accu et accroître le risque d'incendie.

Service

- ▶ **L'outil électroportatif doit uniquement être réparé par un personnel qualifié et seulement avec des pièces de rechange d'origine.** Ceci permet d'assurer la sécurité de l'appareil.
- ▶ **Ni jamais entretenir d'accus endommagés.** Toutes les opérations d'entretien sur des accus doivent exclusivement être réalisées par le fabricant ou un prestataire de service client agréé.

2.2 Consignes de sécurité pour scies à onglets radiales

- ▶ **Les scies à onglets radiales sont conçues pour couper du bois ou des produits en bois, elles ne peuvent pas être utilisées pour couper des matériaux ferreux tels que des barres, des tiges, des vis, etc.** La poussière abrasive entraîne le blocage des pièces mobiles comme le carter de protection inférieur. Des étincelles de coupe brûlent le carter de protection inférieur, la plaque d'insertion et d'autres pièces en plastique.
- ▶ **Si possible, fixez la pièce à travailler avec des serre-joints. Lorsque vous tenez la pièce à travailler à la main, tenez toujours votre main à au moins 100 mm (4 in) de chaque côté de la lame de scie. N'utilisez pas cette scie pour couper des pièces trop petites pour être serrées ou tenues à la main..** Si votre main est trop proche de la lame de scie, le risque de blessure par contact avec la lame de scie est plus élevé.
- ▶ **La pièce à travailler doit être immobile et soit serrée soit pressée contre la butée et la table. Ne poussez pas la pièce à travailler vers la lame de scie et ne coupez jamais « à main levée ».** Des pièces à travailler non serrées ou en mouvement pourraient être éjectées à grande vitesse et provoquer des blessures.
- ▶ **Poussez la scie à travers la pièce à travailler. Évitez de tirer la scie à travers la pièce à travailler. Pour effectuer une coupe, soulevez la tête de la scie et tirez-la sur la pièce à travailler sans couper. Ensuite, mettez le moteur en marche, faites pivoter la tête de la scie vers le bas et poussez la scie à travers la pièce à travailler.** Si vous tirez pour effectuer la coupe, la lame de scie risque de monter sur la pièce à travailler et l'unité de la lame de scie risque d'être projetée violemment en direction de l'utilisateur.
- ▶ **Ne croisez jamais la main au-delà de la ligne de coupe prévue, ni devant ni derrière la lame de scie.** Soutenir la pièce à travailler « avec les mains croisées », c'est-à-dire tenir la pièce à travailler à droite de la lame de scie avec la main gauche ou inversement, est très dangereux.
- ▶ **Ne pas passer la main derrière la butée lorsque la lame de scie est en rotation. Toujours respecter une distance de sécurité minimale de 100 mm (4 in) entre la main et la lame de scie en rotation**



(valable pour les deux côtés de la lame de scie, par exemple lors du retrait de déchets de bois). La proximité de la lame de scie en rotation avec votre main peut ne pas être détectée et vous risquez d'être gravement blessé.

- ▶ **Contrôler la pièce à travailler avant la coupe. Si la pièce à travailler est courbée ou déformée, la serrer avec le côté courbé vers l'extérieur orienté vers la butée. Toujours s'assurer qu'il n'y a pas d'espace entre la pièce à travailler, la butée et la table le long de la ligne de coupe.** Les pièces courbées ou déformées peuvent se tordre ou se décaler et provoquer un blocage de la lame de scie en rotation lors de la coupe. La pièce à travailler ne doit contenir ni clous ni corps étrangers.
- ▶ **Utiliser la scie uniquement lorsque la table est exempte d'outils, déchets de bois, etc. ; seule la pièce à travailler doit se trouver sur la table.** De petits déchets, des morceaux de bois en vrac ou d'autres objets qui entrent en contact avec la lame en rotation peuvent être projetés à grande vitesse.
- ▶ **Ne découper qu'une seule pièce à travailler à la fois.** Plusieurs pièces à travailler empilées ne peuvent pas être serrées ou maintenues de manière adéquate et peuvent provoquer un blocage de la lame ou glisser lors du sciage.
- ▶ **Veiller à ce que la scie à onglets radiale soit placée sur une surface de travail plane et solide avant de l'utiliser.** Une surface de travail plane et solide réduit le risque d'instabilité de la scie à onglets radiale.
- ▶ **Planifier le travail. À chaque réglage de l'inclinaison de la lame de scie ou de l'angle d'onglet, veiller à ce que la butée réglable soit correctement ajustée et soutienne la pièce à travailler sans entrer en contact avec la lame ou le carter de protection.** Sans mettre la machine en marche et sans pièce à travailler sur la table, simuler un mouvement de coupe complet de la lame de scie afin de vérifier qu'il n'y a pas d'obstruction ni de risque de couper dans la butée.
- ▶ **En cas de pièces à travailler plus larges ou plus longues que la face supérieure de la table, veiller à ce qu'elles soient correctement soutenues, par exemple au moyen de rallonges de table ou de chevalets de sciage.** Les pièces à travailler plus longues ou plus larges que la table de la scie à onglets radiale peuvent basculer si elles ne sont pas fermement soutenues. Si un morceau de bois coupé ou la pièce à travailler bascule, cela peut soulever le carter de protection inférieur ou entraîner une projection incontrôlée par la lame en rotation.
- ▶ **Ne pas faire appel à d'autres personnes au lieu d'utiliser une rallonge de table ou pour fournir un soutien supplémentaire.** Un soutien instable de la pièce peut entraîner le blocage de la lame. De même, la pièce à travailler peut se décaler pendant la coupe et vous entraîner, vous et la personne vous assistant, dans le mouvement de la lame en rotation.
- ▶ **La pièce coupée ne doit pas être pressée contre la lame de scie en rotation.** S'il y a peu de place, par exemple en cas d'utilisation de butées longitudinales, le morceau coupé peut se coincer avec la lame et être violemment projeté.
- ▶ **Toujours utiliser un serre-joint ou un dispositif approprié pour soutenir correctement les matériaux ronds tels que les barres ou les tubes.** Les barres ont tendance à rouler lors de la coupe, ce qui fait que la lame « s'accroche » et que la pièce à travailler peut être tirée avec votre main dans la lame.
- ▶ **Laisser la lame atteindre sa vitesse maximale avant de couper dans la pièce à travailler.** Cela réduit le risque de projection de la pièce.
- ▶ **Si la pièce à travailler se coincé ou si la lame se bloque, éteindre la scie à onglets radiale. Attendre que toutes les pièces mobiles se soient arrêtées, débrancher la fiche d'alimentation et/ou retirer l'accu. Retirer ensuite le matériau coincé.** Si la coupe est poursuivie en présence d'un tel blocage, il y a un risque de perte de contrôle ou d'endommagement de la scie à onglets radiale.
- ▶ **Une fois la coupe terminée, relâcher l'interrupteur, maintenir la tête de scie vers le bas et attendre l'arrêt de la lame avant de retirer la pièce coupée.** Il est très dangereux de passer la main à proximité de la lame en train de s'arrêter.
- ▶ **Bien tenir fermement la poignée lors d'une coupe incomplète ou lors du relâchement de l'interrupteur avant que la tête de scie n'ait atteint sa position inférieure.** L'effet de freinage de la scie peut tirer brusquement la tête de la scie vers le bas et entraîner ainsi un risque de blessure.

2.3 Consignes de sécurité supplémentaires

- ▶ Utiliser le produit et les accessoires uniquement s'ils sont en parfait état.
- ▶ Ne jamais entreprendre de manipulation ni de modification sur le produit ou les accessoires.
- ▶ Risque de blessures dues à la chute d'outils et/ou d'accessoires. Avant de commencer à travailler, contrôler si l'accu et l'accessoire monté sont solidement fixés.



- ▶ La poussière générée par le meulage, le ponçage, le tronçonnage et le forage peut contenir des produits chimiques dangereux. Par exemple : plomb ou peinture à base de plomb ; brique, béton et autres produits de maçonnerie, pierre naturelle et autres produits contenant des silicates ; certains bois, tels que le chêne, le hêtre et le bois traité chimiquement ; amiante ou matériaux contenant de l'amiante. Déterminer l'exposition de l'opérateur et personnes se trouvant dans l'entourage en fonction de la classe de danger des matériaux traités. Prendre les mesures nécessaires pour maintenir l'exposition à un niveau sûr, par exemple en utilisant un système de collecte des poussières ou en portant une protection respiratoire appropriée. Mesures générales visant à réduire l'exposition :
 - ▶ Travailler dans un endroit bien ventilé
 - ▶ Éviter le contact prolongé avec la poussière
 - ▶ Faire en sorte que la poussière soit dirigée loin du visage et du corps
 - ▶ Porter des vêtements de protection et laver les zones exposées à l'eau et au savon.
- ▶ Pendant l'utilisation du produit, porter des lunettes de protection, un casque de protection, un casque antibruit et une protection respiratoire appropriée.
- ▶ Faire régulièrement des pauses et des exercices pour favoriser l'irrigation sanguine dans les doigts. En cas de travaux prolongés, les fortes vibrations peuvent perturber la circulation dans les vaisseaux sanguins ou le système nerveux dans les doigts, les mains ou le poignet.
- ▶ Gardez toujours les ouïes d'aération dégagées. Risque de brûlures si les ouïes d'aération sont couvertes !
- ▶ Ne pas relâcher la poignée lorsque la tête de scie a été abaissée. Toujours ramener la tête de scie en position haute de manière contrôlée. Si la tête de scie se déplace sans contrôle, cela peut entraîner un risque de blessure.
- ▶ Ne pas utiliser de lames de scie émoussées, fissurées, courbées ou endommagées. Les lames mal affûtées ou mal fixées produisent un trait de coupe trop étroit, ce qui provoque ainsi des frottements excessifs, le grippage de la lame et un rebond.
- ▶ Ne jamais retirer les résidus de coupe, les copeaux de bois ou autres de la zone de coupe lorsque la scie est en marche. Toujours éteindre la scie avant de ramener la tête de scie en position haute.
- ▶ Utiliser exclusivement des lames de scie homologuées pour le produit et conformes aux indications des caractéristiques techniques et/ou aux indications données sur le produit (par ex. diamètre, vitesse de rotation, épaisseur, alésage, matériau, etc.) et testées et marquées selon la norme EN 847-1.
- ▶ N'utiliser que des lames de scie dont la vitesse de rotation autorisée soit au moins égale à la vitesse de rotation maximale indiquée sur le produit.
- ▶ Ne pas toucher la lame de scie après le travail tant qu'elle n'a pas refroidi. La lame de scie devient très chaude pendant le travail.
- ▶ Porter des gants de protection pour changer de lame de scie.
- ▶ Avant chaque utilisation, s'assurer que le capot est bien fermé. Déplacer la tête de la scie vers le bas puis la ramener en position haute de manière contrôlée. Ne pas utiliser la scie si le capot ne se déplace pas librement et ne se ferme pas instantanément lorsque la tête de la scie est levée. Ne jamais coincer ou attacher le capot inférieur de protection en position ouverte.
- ▶ Ne jamais utiliser le produit sans carter de protection.
- ▶ Toujours faire fonctionner l'outil à vitesse réduite lors de la coupe de profilés en aluminium.
- ▶ Toujours utiliser et fixer les soutiens supplémentaires montés sur le produit.
- ▶ Pour transporter le produit, le saisir uniquement aux endroits prévus à cet effet (poignées encastrées et poignée de transport). Ne jamais transporter l'outil électroportatif par le bras coulissant ou la poignée.
→ Page 46
- ▶ Éviter toute surchauffe des pointes des dents de scie. Lors du sciage de matériaux plastiques, éviter de faire fondre le plastique.

2.4 Utilisation et emploi soigneux des batteries

- ▶ **Respecter les consignes de sécurité suivantes relatives à la manipulation et à l'utilisation des accus Li-Ion.** Le non-respect de telles mesures risque de provoquer des irritations cutanées, des blessures graves corrosives, des brûlures chimiques, des incendies et/ou des explosions.
- ▶ Utiliser les accus uniquement dans un état techniquement impeccable.
- ▶ Traiter les accus avec soin pour éviter les endommagement et les fuites de liquides très nocifs pour la santé !
- ▶ Les accus ne doivent en aucun cas être modifiés ou manipulés !
- ▶ Il est interdit de démonter, écraser, chauffer les accus à une température supérieure à 80 °C (176 °F) ou de les jeter au feu.
- ▶ Ne pas utiliser ni recharger d'accus ayant subi un choc ou ayant été endommagés de quel-qu'autre manière. Vérifier régulièrement l'absence de traces d'endommagement sur les accus.



- ▶ Ne jamais utiliser d'accus recyclés ou réparés.
- ▶ Ne jamais utiliser l'accu ni aucun outil électrique sans fil comme outil de percussion.
- ▶ Ne jamais exposer les accus à un rayonnement direct du soleil, des températures élevées, des étincelles ou des flammes nues. Il y a alors risque d'explosions.
- ▶ Ne jamais toucher les pôles avec les doigts, des outils, des bijoux ou tout autre objet métallique. Cela peut endommager l'accu et entraîner des dommages matériels et des blessures.
- ▶ Maintenir les accus à l'abri de la pluie, de l'humidité et des liquides. Toute pénétration d'humidité risque de provoquer un court-circuit, des chocs électriques, des brûlures, des incendies ou des explosions.
- ▶ Utiliser exclusivement les chargeurs et outils électriques prévus pour le type d'accu considéré. Respecter à ce sujet les indications du mode d'emploi correspondant.
- ▶ Ne pas utiliser ni stocker l'accu dans des environnements présentant des risques d'explosion.
- ▶ Si l'accu est trop chaud pour être touché, il est probablement défectueux. Placer l'accu dans un endroit bien visible, non inflammable et suffisamment éloigné de matériaux inflammables. Laisser l'accu refroidir. Si, après une heure, l'accu est toujours trop chaud pour être saisi, c'est qu'il est défectueux. Contacter le service après-vente **Hilti** ou consulter le document « Instructions de sécurité et d'utilisation pour les accus Li-Ion **Hilti** ».



Respecter les directives spécifiques pour le transport, le stockage et l'utilisation d'accus Li-Ion.

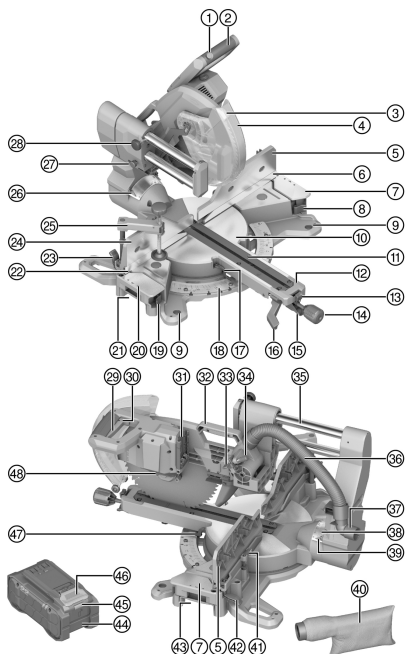
Lire les remarques relatives à la sécurité et à l'utilisation des accus Li-Ion **Hilti** que vous trouverez en scannant le code QR à la fin de ce mode d'emploi.





3 Description

3.1 Vue d'ensemble du produit



- ① Anti-démarrage
- ② Poignée
- ③ Indicateur de coupe LED
- ④ Carter de protection
- ⑤ Guide d'onglet supérieur droit
- ⑥ Guide d'onglet inférieur droit
- ⑦ Soutien supplémentaire droit
- ⑧ Levier de déverrouillage du soutien supplémentaire droit
- ⑨ Trou de fixation
- ⑩ Plateau tournant
- ⑪ Plaques à fentes
- ⑫ Bras du plateau tournant
- ⑬ Positions d'encliquetage levier de déverrouillage plateau tournant
- ⑭ Bouton de blocage pour plateau tournant
- ⑮ Levier de déverrouillage plateau tournant
- ⑯ Levier de déverrouillage de l'angle d'onglet vertical
- ⑰ Indicateur angle d'onglet horizontal gauche
- ⑱ Échelle des angles d'onglet horizontal
- ⑲ Levier de déverrouillage soutien supplémentaire gauche
- ⑳ Soutien supplémentaire gauche
- ㉑ Poignée encastrée gauche
- ㉒ Guide d'onglet inférieur gauche
- ㉓ Levier de déverrouillage guide d'onglet supérieur gauche
- ㉔ Guide d'onglet supérieur gauche
- ㉕ Pince-étai
- ㉖ Indicateur angle d'onglet vertical gauche
- ㉗ Sécurité de transport
- ㉘ Vis de blocage glissière
- ㉙ Interrupteur Marche / Arrêt
- ㉚ Trou pour cadenas
- ㉛ Interface d'accu
- ㉜ Poignée de transport
- ㉝ Plaque de butée de la butée de profondeur
- ㉞ Butée de profondeur
- ㉟ Glissière / barre coulissante
- ㊱ Tuyau de raccordement dispositif d'aspiration des poussières
- ㊲ Tubulure d'aspiration
- ㊳ Échelle des angles d'onglet vertical
- ㊴ Indicateur angle d'onglet vertical
- ㊵ Sac à poussière
- ㊶ Clé pour vis à tête six pans creux
- ㊷ Levier de déverrouillage guide d'onglet supérieur droit
- ㊸ Poignée encastrée côté droit
- ㊹ Accu
- ㊺ Indicateur d'état accu
- ㊻ Bouton de déverrouillage de l'accu
- ㊼ Indicateur angle d'onglet horizontal
- ㊽ Blocage de la broche



3.2 Utilisation conforme à l'usage prévu

Le produit décrit est une scie à onolet radiale sur accu. Elle est conçue pour scier du bois, des produits en bois, du plastique et des profilés en aluminium. Le produit permet d'effectuer des coupes transversales, des coupes obliques et des coupes en onolet.

Le produit est équipé d'un raccord pour aspiration des copeaux prévu pour les tuyaux flexibles d'aspiration courants. Le raccordement du dispositif d'aspiration de poussières peut nécessiter un adaptateur approprié.

- Utiliser la scie exclusivement avec le sac à copeaux fourni ou un dispositif d'aspiration de poussières approprié.
- Utiliser exclusivement des lames de scie homologuées pour le produit et conformes aux indications des caractéristiques techniques (par ex. diamètre, vitesse de rotation, épaisseur, matériau, etc.). Les disques à meuler et à tronçonner ne sont pas autorisés, ni les lames de scie en acier rapide fortement allié (acier HSS).
- Ne jamais couper de magnésium avec le produit.
- Pour ce produit, utiliser exclusivement des accus Li-Ion **Hilti** Nuron de la série B 22. Pour une puissance optimale, **Hilti** recommande pour ce produit les accus indiqués dans le tableau à la fin de ce mode d'emploi.
- Pour ces accus, utiliser exclusivement des chargeurs **Hilti** des séries indiquées dans le tableau à la fin de ce mode d'emploi.

3.3 Éléments livrés

Scie à onolet radiale, lame de scie, flasque de serrage, flasque support, vis de serrage, vis à six pans creux, pince-étau, bouton de blocage pour plateau tournant, mode d'emploi original

D'autres produits système pour votre produit peuvent être trouvés dans votre **Hilti Store** ou à l'adresse : www.hilti.group

3.4 Affichages de l'accu Li-Ion

Les accus Li-Ion **Hilti** Nuron peuvent afficher l'état de charge, les messages d'erreur et l'état de l'accu.

3.4.1 Affichages de l'état de charge et des messages d'erreur



AVERTISSEMENT

Risque de blessures en cas de chute de l'accu !

- ▶ Lorsque l'accu est inséré et après voir appuyé sur la touche de déverrouillage, s'assurer que l'accu est correctement réenclenché dans le produit utilisé.

Pour consulter un des affichages suivants, appuyer brièvement sur la touche de déverrouillage de l'accu. L'état de charge et les dysfonctionnements possibles sont affichés en permanence tant que le produit raccordé est allumé.

État	Signification
Quatre (4) DEL sont allumées en vert en continu	État de charge : de 100 % à 71 %
Trois (3) DEL sont allumées en vert en continu	État de charge : de 70 % à 51 %
Deux (2) DEL sont allumées en vert en continu	État de charge : de 50 % à 26 %
Une (1) DEL est allumée en vert en continu	État de charge : de 25 % à 10 %
Une (1) DEL clignote lentement en vert	État de charge : < 10 %
Une (1) DEL clignote rapidement en vert	L'accu Li-Ion est entièrement déchargé. Charger l'accu. Si la DEL continue de clignoter rapidement après la charge de l'accu, s'adresser au S.A.V. Hilti .
Une (1) DEL clignote rapidement en jaune	L'accu Li-Ion ou le produit correspondant est surchargé, trop chaud, trop froid ou il y a un autre défaut. Amener le produit et l'accu à la température de travail recommandée et ne pas surcharger le produit pendant son utilisation. Si le message ne disparaît pas, s'adresser au S.A.V. Hilti .



État	Signification
Une (1) DEL est allumée en jaune	L'accu Li-Ion ainsi que le produit connecté ne sont pas compatibles. Merci de s'adresser au S.A.V Hilti.
Une (1) DEL clignote rapidement en rouge	L'accu Li-Ion est verrouillé et ne peut plus être utilisé. Merci de s'adresser au S.A.V Hilti.

3.4.2 Affichages de l'état de l'accu

Pour consulter l'état de l'accu, maintenir la touche de déverrouillage enfoncée pendant plus de trois secondes. Le système ne détecte aucun dysfonctionnement potentiel de la batterie dû à une utilisation incorrecte, par ex. chute, piqûres, dommages externes dus à la chaleur, etc.

État	Signification
Toutes les DEL forment un chenillard, puis une (1) DEL est allumée en vert en continu.	L'accu peut continuer à être utilisé.
Toutes les DEL forment un chenillard, puis une (1) DEL clignote rapidement en jaune.	L'interrogation de l'état de l'accu n'a pas pu être terminée. Répéter la procédure ou s'adresser au S.A.V. Hilti.
Toutes les DEL forment un chenillard, puis une (1) DEL est allumée en rouge en continu.	Si un produit raccordé peut continuer à être utilisé, la capacité résiduelle de l'accu est inférieure à 50 %. Si un produit raccordé ne peut plus être utilisé, l'accu est arrivé à la fin de sa durée de vie et doit être remplacé. Merci de s'adresser au S.A.V Hilti.

4 Caractéristiques techniques

4.1 Propriétés du produit

Tension nominale	21,6 V	
Vitesse de rotation à vide de référence	4.300 tr/min	
Diamètre de la lame de scie	305 mm (12,0 in)	
Épaisseur du disque de lame	0,5 mm ... 1,5 mm (0,02 in ... 0,06 in)	
Alésage de fixation de la lame de scie	30 mm (1,2 in)	
Largeur de coupe	3,2 mm (0,13 in)	
Angle d'onglet horizontal maximal	À droite	≤ 60°
	À gauche	≤ 52°
Angle d'onglet vertical maximal	À droite	≤ 48°
	À gauche	≤ 48°
Capacité de coupe maximale indépendamment des autres dimensions ou angles d'onglet	Hauteur	≤ 100 mm (≤ 3,9 in)
	Largeur	≤ 360 mm (≤ 14,2 in)
Poids	25,6 kg (56,4 lb) (sans accu)	
Température de service en cours de service	-17 °C ... 60 °C (1 °F ... 140 °F)	
Température de stockage	-20 °C ... 70 °C (-4 °F ... 158 °F)	



4.2 Batterie

Tension nominale de l'accu	21,6 V
Poids de l'accu	Voir à la fin de ce mode d'emploi
Température de service en cours de service	-17 °C ... 60 °C (1 °F ... 140 °F)
Température de stockage	-20 °C ... 40 °C (-4 °F ... 104 °F)
Température de l'accu au début de la charge	-10 °C ... 45 °C (14 °F ... 113 °F)

4.3 Capacité de coupe maximale

Les indications de hauteur et de largeur dépendent l'une de l'autre. Les valeurs de hauteur et de largeur maximales possibles se trouvent au chapitre Propriétés du produit. → Page 34

Angle d'onglet horizontal	Angle d'onglet vertical	Hauteur x largeur
0°	0°	100 mm x 355 mm (3,9 in x 14,0 in)
	22,5° côté droit	72 mm x 355 mm (2,8 in x 14,0 in)
	22,5° côté gauche	90 mm x 355 mm (3,5 in x 14,0 in)
	30° côté droit	60 mm x 355 mm (2,4 in x 14,0 in)
	30° côté gauche	78 mm x 355 mm (3,1 in x 14,0 in)
	45° côté droit	40 mm x 355 mm (1,6 in x 14,0 in)
	45° côté gauche	65 mm x 340 mm (2,6 in x 13,4 in)
	48° côté droit	30 mm x 355 mm (1,2 in x 14,0 in)
	48° côté gauche	50 mm x 355 mm (2,0 in x 14,0 in)
45° côté droit 45° côté gauche	0°	100 mm x 250 mm (3,9 in x 9,8 in)
	45° côté droit	40 mm x 250 mm (1,6 in x 9,8 in)
	45° côté gauche	62 mm x 250 mm (2,4 in x 9,8 in)
52° côté gauche	0°	100 mm x 200 mm (3,9 in x 7,9 in)
	45° côté droit	40 mm x 220 mm (1,6 in x 8,7 in)
	45° côté gauche	62 mm x 220 mm (2,4 in x 8,7 in)
60° côté droit	0°	100 mm x 176 mm (3,9 in x 6,9 in)
	45° côté droit	40 mm x 178 mm (1,6 in x 7,0 in)
	45° côté gauche	30 mm x 190 mm (1,2 in x 7,5 in)



5 Préparatifs

AVERTISSEMENT

Risque de blessures du fait d'une mise en marche inopinée !

- ▶ Avant d'insérer l'accu, s'assurer que le produit correspondant est bien sur arrêt.
- ▶ Retirer le bloc-accu, avant d'effectuer des réglages sur l'appareil ou de changer les accessoires.

Bien respecter les consignes de sécurité et les avertissements de la présente documentation ainsi que celles figurant sur le produit.

5.1 Monter le bouton de blocage

À la livraison, le bouton de blocage du plateau tournant n'est pas monté. Il doit être monté avant d'utiliser la scie.

- ▶ Visser le bouton de blocage dans le bras du plateau tournant.

5.2 Recharge de l'accu

1. Avant de commencer la charge, lire le mode d'emploi du chargeur.
2. Veiller à ce que les contacts de l'accu et du chargeur sont propres et secs.
3. Charger l'accu à l'aide d'un chargeur homologué. → Page 33

5.3 Introduction de l'accu

AVERTISSEMENT

Risque de blessures du fait d'un court-circuit ou de la chute de l'accu !

- ▶ Avant d'insérer l'accu dans l'appareil, s'assurer que les contacts de l'accu et les contacts sur le produit sont exempts de corps étrangers.
- ▶ S'assurer que l'accu s'encliquette toujours correctement.

1. L'accu doit être entièrement chargé avant la première mise en service.
2. Introduire l'accu dans le produit jusqu'à ce qu'il s'enclenche de manière audible.
3. Vérifier que l'accu est bien en place.

5.4 Retrait de l'accu

1. Appuyer sur la touche de déverrouillage de l'accu.
2. Retirer l'accu hors du produit.

5.5 Monter le produit

Le produit doit être fixé sur une surface plane et stable.

1. Placer le produit sur une surface plane et stable.
2. Visser le produit sur la surface de travail à travers les trous de fixation. Utiliser pour cela des vis appropriées.
3. Il est aussi possible de fixer les pieds de l'appareil sur la surface de travail à l'aide de serre-joints disponibles dans le commerce.



Hilti propose également en option un châssis sur lequel le produit peut être monté pour une utilisation mobile.

5.6 Amener en position de travail

1. Pousser légèrement la tête de scie vers le bas et retirer la sécurité de transport.
2. Guider la tête de scie vers le haut de manière contrôlée.

5.7 Dispositif d'aspiration de la poussière

5.7.1 Montage du sac à poussières

Le sac à poussières permet de travailler proprement et de collecter un grand pourcentage de la poussière produite.



- ▶ Mettre le sac à poussières en place sur la tubulure d'aspiration.

5.7.2 Raccorder le dispositif d'aspiration de poussières

Le dispositif d'aspiration de poussières doit être approprié pour le matériau à travailler. Utiliser un aspirateur spécial approprié lors de l'aspiration de poussières nocives, cancérigènes ou sèches.

- ▶ Brancher le flexible d'aspiration sur la tubulure d'aspiration.

5.8 Montage de la lame de scie

S'assurer que la lame de scie à monter correspond aux exigences techniques et est bien aiguisée.

Une lame de scie aiguisée est une condition préalable à une coupe parfaite.

1. Nettoyer le flasque support et le flasque de serrage.
2. Monter le flasque support sur la broche d'entraînement avec la bonne orientation **(1)**.
3. Ouvrir le capot de protection oscillant **(2)**.
4. Insérer la nouvelle lame.



Respecter le sens des flèches **(3)** visibles sur la lame et le produit. Elles doivent correspondre.

5. Monter le flasque de serrage extérieur en l'orientant correctement **(4)**.
6. Visser la vis de serrage.
7. Présenter la clé pour vis à tête six pans creux sur la vis de serrage de la lame.
8. Appuyer sur le blocage de la broche **(5)** et le maintenir enfoncé.
9. Serrer la vis de serrage **(6)** à l'aide de la clé pour vis à six pans creux.
10. Contrôler le positionnement correct de la lame de scie.
11. Contrôler la mobilité de la lame de scie. La lame de scie ne doit entrer en contact avec aucun autre élément de la scie, quel que soit le réglage (angle d'onglet horizontal et/ou vertical).
12. Introduire la clé pour vis à six pans creux dans le logement prévu à cet effet.

5.9 Démontage de la lame de scie



AVERTISSEMENT

Risque de brûlure, de coupure au niveau de la lame de scie, de la vis de serrage et du flasque de serrage Des brûlures ou des blessures par coupure peuvent s'ensuivre.

- ▶ Utiliser des gants de protection pour changer d'outil.

1. Appuyer sur le blocage de la broche **(1)** et le maintenir enfoncé.
2. Desserrer la vis de serrage **(2)** à l'aide de la clé pour vis à six pans creux.
3. Retirer la vis de serrage et le flasque de serrage **(3)**.
4. Ouvrir le capot de protection oscillant **(4)** et retirer la lame de scie **(5)**.



Si nécessaire, le flasque support peut être enlevé à des fins de nettoyage.

6 Utilisation

Bien respecter les consignes de sécurité et les avertissements de la présente documentation ainsi que celles figurant sur le produit.

6.1 Bloquer/desserrer la glissière

La glissière peut être bloquée à n'importe quel endroit.

1. Pour bloquer la glissière, tourner la vis de blocage **(1)** dans le sens des aiguilles d'une montre.
 - ▶ La vis de blocage bloque la barre coulissante, ce qui empêche tout glissement.
2. Pour desserrer la glissière, tourner la vis de blocage **(1)** dans le sens inverse des aiguilles d'une montre.

6.2 Réglage de la profondeur de coupe sur la butée de profondeur

Utiliser la butée de profondeur pour scier une rainure, par exemple.



1. Pivoter la plaque de butée (1) de la butée de profondeur de manière à ce que la butée de profondeur ne passe pas à travers l'ouverture lors de l'abaissement de la tête de scie.
2. Régler la profondeur de coupe souhaitée via la molette (2).
3. Pour ne plus limiter la profondeur de coupe, pivoter la plaque de butée (1) de manière à ce que la butée de profondeur passe à travers l'ouverture lors de l'abaissement de la tête de scie.

6.3 Rallonger la table de sciage 7

AVERTISSEMENT

Risque de blessures entraînées par de longues pièces. Les pièces longues peuvent basculer de manière incontrôlée pendant la coupe, soulever le carter de protection, coincer la lame de scie et entraîner un contrecoup.

- ▶ Soutenir les pièces longues avec des chevalets de sciage supplémentaires ou des supports comparables.

La surface d'appui de la table de sciage peut être agrandie à l'aide des soutiens supplémentaires à droite et /ou à gauche.

1. Ouvrir le levier de déverrouillage du soutien supplémentaire (1).
2. Sortir le soutien supplémentaire (2).
3. Verrouiller le levier de déverrouillage du soutien supplémentaire (1).
4. Si nécessaire, répéter ces étapes pour le soutien supplémentaire du côté opposé.

6.4 Régler les guides d'onglet supérieurs 3, 9

Selon le réglage de l'angle d'onglet horizontal et/ou vertical, les guides d'onglet supérieurs doivent être tirés vers l'extérieur ou complètement retirés.

1. Ouvrir le levier de déverrouillage (1) du guide d'onglet supérieur gauche ou droit.
2. Tirer le guide d'onglet supérieur (2) aussi loin que nécessaire vers l'extérieur ou le retirer.
3. Fermer le levier de déverrouillage (1).
 - ▶ Remonter les guides d'onglet supérieurs dans la position la plus à l'intérieur lorsque vous effectuer des coupes droites.
4. Si le guide d'onglet supérieur a été retiré, il peut également être fixé aux barres coulissantes du soutien supplémentaire pendant le sciage pour un rangement sûr.

6.5 Régler l'angle d'onglet horizontal 10

AVERTISSEMENT

Risque de blessures dû à un plateau tournant non bloqué. Le plateau tournant non bloqué peut tourner pendant la coupe, incliner la pièce et provoquer ainsi un contrecoup.

- ▶ Toujours serrer le bouton de blocage du plateau tournant avant d'effectuer une coupe.

Conditions: Angle d'onglet standard

L'échelle des angles d'onglet horizontal comporte des encoches pour le réglage rapide et précis d'angles d'onglet horizontal souvent utilisés. Le plateau tournant peut être engagé dans ces encoches.

Positions d'encliquetage angle d'onglet horizontal

À gauche	Milieu	À droite
45°; 31,6°; 22,5°; 15°	0°	15°; 22,5°; 31,6°; 45°; 60°

- ▶ Desserrer éventuellement le bouton de blocage du plateau tournant (2).
- ▶ Tirer et maintenir le levier de déverrouillage du plateau tournant vers le haut (1) et tourner le plateau tournant jusqu'à ce qu'il soit proche de l'angle d'onglet horizontal souhaité (3).
- ▶ Relâcher le levier de déverrouillage du plateau tournant et continuer à tourner le plateau tournant sur l'angle d'onglet horizontal souhaité, jusqu'à ce que le verrouillage s'enclenche.
- ▶ Serrer le bouton de blocage du plateau tournant (2).



Conditions: Angle d'onglet horizontal quelconque

L'angle d'onglet peut être réglé librement en dehors des angles d'onglet horizontal standard.

- ▶ Desserrer éventuellement le bouton de blocage du plateau tournant (2).
- ▶ Tirer le levier de déverrouillage du plateau tournant (1) vers le haut et l'enclencher (4).
- ▶ Régler le plateau tournant dans l'angle d'onglet horizontal souhaité (3).
- ▶ Serrer le bouton de blocage du plateau tournant (2).

6.6 Régler l'angle d'onglet vertical

AVERTISSEMENT

Risque de blessures dû à une inclinaison non bloquée. Si le réglage de l'angle d'onglet vertical n'est pas bloqué, la tête de scie peut basculer pendant la coupe et provoquer un contrecoup.

- ▶ Une fois le réglage terminé, toujours pousser complètement le levier de déverrouillage du réglage de l'angle d'onglet vertical vers le bas pour bloquer l'inclinaison.

ATTENTION

Risque de blessures causées par les guides d'onglet supérieurs. Lorsque l'angle d'onglet vertical est réglé, la lame de scie peut entrer en collision avec les guides d'onglet supérieurs et provoquer des dommages et un contrecoup.

- ▶ Après chaque réglage de l'angle d'onglet vertical, contrôler la mobilité de la lame de scie et régler les guides d'onglet supérieurs aussi loin que nécessaire vers l'extérieur.

La tête de scie peut être enclenchée dans plusieurs positions pour un réglage rapide et précis d'angles d'onglet vertical souvent utilisés.

Positions d'encliquetage angle d'onglet vertical

À gauche	Milieu	À droite
45°; 33,9°; 22,5°	0°	22,5°; 33,9°; 45°

- ▶ Tirer le levier de déverrouillage du réglage de l'onglet vertical vers le haut pour le desserrer (2).
- ▶ Tirer le levier de déverrouillage du réglage de l'onglet vertical complètement vers le haut pour pouvoir déplacer librement la tête de scie (3).
- ▶ Relâcher le levier de déverrouillage et incliner la tête de scie jusqu'à ce que le verrouillage s'enclenche.
 - ▶ La tête de scie peut être enclenchée dans n'importe laquelle des positions mentionnées ci-dessus.
- ▶ Pousser ensuite complètement le levier de déverrouillage vers le bas (1) pour verrouiller la tête de scie dans la position réglée.
- ▶ Pour régler un angle d'onglet vertical quelconque, maintenir le levier de déverrouillage du réglage de l'onglet vertical dans la position supérieure (3) jusqu'à ce que l'angle d'onglet vertical souhaité soit atteint.
- ▶ Pousser ensuite complètement le levier de déverrouillage vers le bas (1) pour verrouiller la tête de scie dans la position réglée.
- ▶ Régler les guides d'onglet supérieurs de manière à ce qu'ils n'entrent pas en collision avec la lame de scie. → Page 38

6.7 Activer l'affichage de la ligne de coupe

La scie est équipée d'un affichage de la ligne de coupe. Une LED dans la tête de scie illumine l'espace de travail la lame de scie fait de l'ombre, ce qui permet un affichage précis de la ligne de coupe.

1. Activer l'interrupteur Marche/Arrêt sans appuyer sur le dispositif de blocage.
 - ▶ La LED est activée.
2. Guider la tête de scie vers le bas.
 - ▶ L'ombre de la lame de scie apparaît sur la pièce à travailler et indique la ligne de coupe.
3. Adapter le cas échéant la pièce à travailler ou le réglage de l'angle d'onglet horizontal et/ou vertical à la ligne de coupe.



6.8 Positionner et fixer la pièce à travailler 12, 13, 14**⚠ AVERTISSEMENT**

Risque de blessures causées par du bois déformé. Une pièce à travailler déformée et/ou courbée peut s'incliner sur la lame de scie et provoquer un contrecoup.

- ▶ Toujours positionner les pièces à travailler déformées ou courbées contre le guide d'onglet avec la partie bombée vers l'extérieur. Ne jamais positionner une pièce à travailler de façon à créer une lame d'air entre la pièce et les guides d'onglet.

⚠ AVERTISSEMENT

Risque de blessures causées par un positionnement incorrect de la pièce à travailler. Une pièce à travailler mal positionnée peut s'incliner sur la lame de scie et provoquer un contrecoup.

- ▶ Toujours positionner la pièce à travailler de sorte qu'il y ait la plus grande surface d'appui possible sur le plateau tournant, les soutiens et les guides d'onglet.

⚠ AVERTISSEMENT

Risque de blessures dû à une pièce à travailler non sécurisée ! Si la pièce n'est pas correctement fixée au guide d'onglet, elle peut se décaler pendant la coupe et provoquer un éventuel endommagement de la lame de scie, ce qui peut entraîner la projection de la pièce et une perte de contrôle.

- ▶ Lors de toutes les opérations, la pièce à travailler doit être fermement fixée contre le plateau tournant et le guide d'onglet à l'aide de la pince-étau.

⚠ AVERTISSEMENT

Risque de blessures dû au contact de composants de la scie avec la pince-étau ! La lame de scie peut être endommagée en cas de contact avec la pince-étau. Les dispositifs de protection peuvent être entravés par la pince-étau et leur fonctionnement peut être limité. Le mouvement de la tête de scie peut être limité par la pince-étau, ce qui peut entraîner un contrecoup.

- ▶ Lorsque la scie est arrêtée, effectuer un test du mouvement attendu. Veiller à ce qu'aucun composant de la scie n'entre en contact avec la pince-étau.
- ▶ Si nécessaire, décaler la pince-étau à un autre endroit de la scie.
- ▶ Appuyer sur le bouton de déverrouillage de la pince-étau (2) et tirer la tige filetée jusqu'en butée vers le haut.
- ▶ Introduire la pince-étau dans l'une des ouvertures prévues (1).
- ▶ Appuyer fermement la pièce à travailler contre le guide d'onglet inférieur.
- ▶ Appuyer sur le bouton de déverrouillage de la pince-étau pour adapter rapidement la tige filetée à la pièce à travailler (2).
- ▶ Basculer la pince-étau vers l'arrière, à l'opposé de la position de la tige filetée (3). Serrer ensuite à fond la tige filetée en tournant dans le sens des aiguilles d'une montre pour fixer la pièce à travailler (4).
 - ▶ Pour relâcher la pièce à travailler, tourner la tige filetée dans le sens inverse des aiguilles d'une montre. Appuyer ensuite sur le bouton de déverrouillage de la pince-étau et tirer la tige filetée jusqu'en butée vers le haut.

6.9 Réglage de la vitesse de rotation

- ▶ Régler la vitesse de rotation souhaitée via la molette de réglage de la vitesse de rotation.

6.10 Mise en marche / arrêt**⚠ AVERTISSEMENT**

Risque de blessures dû à un contrecoup.

- ▶ Mettre la scie en marche uniquement lorsque la lame de scie n'est pas en contact avec la pièce à travailler.

⚠ AVERTISSEMENT

Risque de blessures dû à un contrecoup.

- ▶ Après avoir éteint la scie, laisser la tête de scie dans sa position la plus basse jusqu'à ce que la lame se soit arrêtée.

1. Appuyer sur le dispositif de blocage et le maintenir enfoncé.



2. Appuyer sur l'interrupteur Marche/Arrêt et le maintenir actionné.
 - ▶ La scie est en marche.
3. Relâcher l'interrupteur Marche/Arrêt pour arrêter la scie.

6.11 Sciage

AVERTISSEMENT

Risque de blessures du fait d'un mauvais positionnement des mains et des bras. En cas de mauvais positionnement, la lame de scie tournante peut toucher les bras et les mains et causer de graves blessures.

- ▶ Ne jamais croiser les bras pendant le sciage. Ne jamais croiser la ligne de coupe avec un bras ou une main.
- ▶ Tenir les bras et les mains en dehors du périmètre de sécurité marqué, à droite et à gauche de la lame de scie.

La position correcte du corps et de la main en travaillant avec la scie à onglet rend la coupe plus facile, plus précise et plus sûre.

Se tenir debout avec les deux pieds ancrés dans le sol et tenir le contrepoids. Lors du déplacement du bras d'onglet vers la gauche et la droite, le suivre et se tenir un peu latéralement par rapport à la lame de scie.

Veiller à ce que le périmètre de sécurité de 230 mm (9 in) à gauche et 270 mm (10.4 in) à droite de la lame de scie soit libre. Tenir les mains, les bras et autres parties du corps éloignés de ce périmètre de sécurité.

Garder les mains en position jusqu'à ce que le bouton Marche / Arrêt soit relâché et jusqu'à ce que la lame de scie soit complètement à l'arrêt.



Abaisser doucement la tête de scie de manière contrôlée pour effectuer la coupe. Une pression excessive ou l'application d'une force latérale par rapport à la ligne de coupe peut faire vibrer la lame de scie, ce qui crée des traces de sciage supplémentaires dans la pièce à travailler et peut nuire à la précision de la coupe.

6.11.1 Scier sans mouvement de poussée (tronçonnage)

AVERTISSEMENT

Risque de blessures dû à une glissière non bloquée. Une glissière non bloquée peut entraîner un mouvement de glissement inattendu de la tête de scie et provoquer un contrecoup.

- ▶ Toujours bloquer la glissière lors de coupes transversales.

1. Pousser la tête de scie vers l'arrière (loin de soi) jusqu'en butée.
2. Bloquer la glissière. → Page 37
3. Régler la plaque de butée de la butée de profondeur de manière à ce que la butée de profondeur passe par l'ouverture lorsque la tête de scie est abaissée. → Page 37
4. Adapter tous les réglages de la scie (angles, guides d'onglet, surfaces d'appui) aux exigences de la coupe à effectuer.
5. Bien fixer la pièce. → Page 40
6. Mettre la scie en marche. → Page 40
7. Guider lentement la tête de scie vers le bas et scier la pièce à travailler en poussant régulièrement vers l'avant.
8. Arrêter la scie et attendre que la lame s'arrête.
9. Ramener la tête de la scie en position haute.

6.11.2 Scier avec mouvement de poussée

AVERTISSEMENT

Contrecoup dû à un mouvement incorrect de la tête de scie. Un mouvement incorrect de la tête de scie lors d'une coupe avec mouvement de poussée peut provoquer un contrecoup.

- ▶ Avant d'effectuer une coupe, toujours commencer par sortir complètement la tête de scie, puis l'abaisser et la faire ensuite glisser en direction des guides d'onglet.
- ▶ Ne jamais tirer la tête de scie vers soi lorsque la lame de scie se trouve déjà dans la pièce à travailler.



i Lors de coupes avec mouvement de poussée, pousser doucement la tête de scie vers le guide d'onglet sans s'arrêter. Si le mouvement de poussée est interrompu pendant la coupe, la lame de scie laisse des marques dans la pièce à travailler, ce qui affecte la précision de coupe.

1. Le cas échéant, desserrer la glissière. → Page 37
2. Régler la plaque de butée de la butée de profondeur de manière à ce que la butée de profondeur passe par l'ouverture lorsque la tête de scie est abaissée. → Page 37
3. Adapter tous les réglages de la scie (angles, guides d'onglet, surfaces d'appui) aux exigences de la coupe à effectuer.
4. Bien fixer la pièce. → Page 40
5. Tirer complètement la tête de scie vers soi.
6. Mettre la scie en marche. → Page 40
7. Guider lentement la tête de scie vers le bas.
8. Maintenir la tête de scie dans sa position la plus basse et la pousser lentement vers l'arrière (loin de soi). Scier la pièce en poussant régulièrement vers l'avant.
9. Arrêter la scie et attendre que la lame s'arrête.
10. Ramener la tête de la scie en position haute.

6.11.3 Scier une rainure

1. Régler la butée de profondeur sur la profondeur de coupe souhaitée. → Page 37
2. Effectuer une coupe avec mouvement de poussée. → Page 41

6.11.4 Scier des baguettes profilées

AVERTISSEMENT

Risque de blessures causées par fixation incorrecte de la pièce à travailler. Une pièce à travailler mal fixée peut s'incliner sur la lame de scie et provoquer un contrecoup.

- ▶ Si les baguettes profilées sont placées contre le guide d'onglet, veiller particulièrement à ce que baguettes profilées soient suffisamment fixées contre tout décalage. → Page 40

Les baguettes profilées peuvent être sciées de deux manières différentes :

- Placées contre le guide d'onglet
- Posées à plat sur la table de sciage
- ▶ Effectuer la coupe avec ou sans mouvement de poussée, selon la largeur des baguettes profilées.
- ▶ Tester d'abord les angles d'onglet horizontal et/ou vertical réglés sur une chute de bois.

7 Nettoyage et entretien

AVERTISSEMENT

Risque de blessures lorsque l'accu est inséré !

- ▶ Toujours retirer l'accu avant tous travaux de nettoyage et d'entretien !

Entretien du produit

- Éliminer avec précaution les saletés récalcitrantes.
- Nettoyer soigneusement les ouïes d'aération à l'aide d'une brosse sèche et douce.
- Nettoyer le carter de l'appareil uniquement avec un chiffon légèrement humide. Ne pas utiliser de nettoyeurs à base de silicone car ceci pourrait attaquer les pièces en plastique.
- Utiliser un chiffon propre et sec pour nettoyer les contacts du produit.
- Nettoyer régulièrement les barres coulissantes de la glissière et des soutiens supplémentaires. Appliquer quelques gouttes d'huile sur toutes les barres coulissantes après chaque nettoyage.
- Nettoyer régulièrement les surfaces d'appui des guides d'onglet supérieurs. Regraissez les surfaces d'appui si nécessaire.

Entretien des accus Li-ion

- Ne jamais utiliser un accu dont les ouïes d'aération sont bouchées. Nettoyer soigneusement les ouïes d'aération à l'aide d'une brosse sèche et douce.



- Éviter d'exposer inutilement l'accu à la poussière ou à la saleté. Ne jamais exposer l'accu à une forte humidité (par exemple en l'immergeant dans de l'eau ou en le laissant sous la pluie).
Si l'accu a été trempé, le traiter comme un accu endommagé. L'isoler dans un récipient ininflammable et s'adresser au S.A.V. **Hilti**.
- Veiller à ce que l'accu soit toujours exempt de traces de graisse et d'huile étrangères. Ne pas laisser de la poussière ou de la saleté s'accumuler inutilement sur l'accu. Nettoyer l'accu avec une brosse sèche et douce ou un chiffon propre et sec. Ne pas utiliser de nettoyeurs à base de silicone car ceci pourrait attaquer les pièces en plastique.
Ne pas toucher les contacts de l'accu et ne pas enlever la graisse appliquée en usine sur les contacts.
- Nettoyer le carter de l'appareil uniquement avec un chiffon légèrement humide. Ne pas utiliser de nettoyeurs à base de silicone car ceci pourrait attaquer les pièces en plastique.

Entretien

- Vérifier régulièrement qu'aucune pièce visible n'est endommagée et que les organes de commande sont parfaitement opérationnels.
- Ne pas utiliser le produit en cas d'endommagements et/ou de dysfonctionnements. Faire immédiatement réparer le produit par le S.A.V. **Hilti**.
- Après des travaux de nettoyage et d'entretien, vérifier si tous les équipements de protection sont bien en place et fonctionnent parfaitement.



Pour une utilisation en toute sécurité, utiliser uniquement des pièces de rechange et consommables d'origine. Vous trouverez les pièces de rechange, consommables et accessoires autorisés par **Hilti** convenant pour votre produit dans le centre **Hilti Store** ou sous : www.hilti.group

7.1 Nettoyage de l'équipement de protection

1. Démontez la lame de scie. → Page 37
2. Nettoyez les équipements de protection avec précaution au moyen d'une brosse sèche.
3. Éliminez les dépôts et copeaux restés à l'intérieur des équipements de protection avec un ustensile approprié.
4. Montez la lame de scie. → Page 37

7.2 Nettoyer le raccord d'aspiration et le tuyau de raccordement 17

1. Retirez le sac à poussières ou le flexible d'aspiration du dispositif d'aspiration de poussières raccordé.
2. Desserrer la vis de fixation du tuyau de raccordement sur la tête de scie (1).
3. Débrancher le tuyau de raccordement de la tête de scie (2) et du raccord d'aspiration.
4. Vider le tuyau de raccordement et le nettoyer avec une brosse sèche.
5. Nettoyer le canal à copeaux sur la tête de scie et le raccord d'aspiration avec une brosse sèche.
6. Rebrancher le tuyau de raccordement sur le raccord d'aspiration et la tête de scie.
7. Serrer à fond la vis de fixation du tuyau de raccordement sur la tête de scie.
8. Monter le sac à poussières ou raccorder le dispositif d'aspiration de poussières. → Page 36

7.3 Vider le sac à poussières 18

1. Retirez le sac à poussières du raccord d'aspiration.
2. Ouvrir la fermeture éclair du sac à poussières et éliminer son contenu de manière appropriée.
3. Fermer la fermeture éclair du sac à poussières.
4. Remonter le sac à poussières sur le raccord d'aspiration. → Page 36

7.4 Vérifier et ajuster les réglages et les affichages

La scie à onglet radiale a été soigneusement réglée et ajustée en usine. Il peut néanmoins être nécessaire, après une utilisation intensive ou une manipulation brutale, de vérifier les réglages et les affichages de la scie et de les ajuster si nécessaire.

Le contrôle et l'ajustage de la scie requièrent une certaine expérience et des outils spéciaux.

Hilti recommande de confier l'ajustage de la scie au S.A.V. **Hilti** uniquement.



Lors de tous les travaux de contrôle et de réglage, ne pas toucher les pointes des dents de la scie avec le rapporteur d'angles. Cela entraînerait une mesure erronée. Le rapporteur d'angles doit toujours correspondre à l'épaisseur de lame.



7.4.1 Contrôler l'angle d'onglet vertical

1. Pousser la tête de scie vers l'arrière (loin de soi) jusqu'en butée.
2. Régler la plaque de butée de la butée de profondeur de manière à ce que la butée de profondeur passe par l'ouverture lorsque la tête de scie est abaissée. → Page 37
3. Régler l'angle d'onglet horizontal sur 0°.
4. Pousser la tête de scie vers le bas et introduire la sécurité de transport pour verrouiller la tête de scie.
5. Régler l'angle d'onglet vertical sur 0°.
6. Régler un rapporteur d'angles sur 90°.
7. Placer le rapporteur d'angles à la verticale et à fleur sur la table de sciage.
8. Déplacer le rapporteur d'angles vers la lame de scie.
 - ▶ Le rapporteur d'angles doit être à fleur de la lame de scie sur toute la ligne.
9. Régler l'angle d'onglet vertical sur 45° côté droit.
10. Régler le rapporteur d'angles sur 45° (ou sur 135° pour la mesure du côté gauche).
11. Placer le rapporteur d'angles à la verticale et à fleur sur la table de sciage.
12. Déplacer le rapporteur d'angles vers la lame de scie.
 - ▶ Le rapporteur d'angles doit être à fleur de la lame de scie sur toute la ligne.
13. Répéter les étapes pour l'angle d'onglet vertical 45° côté gauche.

Résultat 1 / 2

Le rapporteur d'angles est à fleur de la lame de scie sur toute la ligne lors des trois mesures.

- ▶ La scie est correctement ajustée.

Résultat 2 / 2

Le rapporteur d'angles et la lame de scie ne sont pas à fleur lors d'une ou plusieurs mesures.

- ▶ S'adresser au S.A.V. Hilti.

7.4.2 Ajuster l'indicateur de l'angle d'onglet vertical

1. Contrôler la précision de l'angle d'onglet vertical. → Page 44
2. Régler l'angle d'onglet vertical sur 0°.
3. Desserrer la vis de fixation d'un indicateur de l'angle d'onglet vertical et le placer exactement sur 0°.
4. Resserrer la vis de fixation à la main. Ce faisant, maintenir l'indicateur exactement sur 0°.
5. Répéter éventuellement l'étape pour le second indicateur d'angle d'onglet vertical.
6. Contrôler la correspondance entre l'angle d'onglet vertical réel et les deux indicateurs pour les angles de 45° à droite et 45° à gauche.
 - ▶ Si, lors du contrôle, un indicateur ne correspond pas à l'angle réel à un ou plusieurs endroits et ne peut pas être suffisamment ajusté, contactez le S.A.V. Hilti.

7.4.3 Contrôler l'angle d'onglet horizontal

1. Pousser la tête de scie vers l'arrière (loin de soi) jusqu'en butée.
2. Régler la plaque de butée de la butée de profondeur de manière à ce que la butée de profondeur passe par l'ouverture lorsque la tête de scie est abaissée. → Page 37
3. Régler l'angle d'onglet vertical sur 0°.
4. Pousser la tête de scie vers le bas et introduire la sécurité de transport pour verrouiller la tête de scie.
5. Régler l'angle d'onglet horizontal sur 0°.
6. Régler un rapporteur d'angles sur 90°.
7. Poser le rapporteur d'angles à plat sur la table de sciage et à fleur du guide d'onglet.
8. Déplacer le rapporteur d'angles vers la lame de scie.
 - ▶ Le rapporteur d'angles doit être à fleur de la lame de scie sur toute la ligne.
9. Régler l'angle d'onglet horizontal sur 45° côté droit.
10. Régler le rapporteur d'angles sur 45° (ou sur 135° pour la mesure du côté gauche).
11. Poser le rapporteur d'angles à plat sur la table de sciage et à fleur du guide d'onglet.
12. Déplacer le rapporteur d'angles vers la lame de scie.
 - ▶ Le rapporteur d'angles doit être à fleur de la lame de scie sur toute la ligne.



13. Répéter les étapes pour l'angle d'onglet horizontal 45° côté gauche.

Résultat 1 / 2

Le rapporteur d'angles est à fleur de la lame de scie sur toute la ligne lors des trois mesures.

- ▶ La scie est correctement ajustée.

Résultat 2 / 2

Le rapporteur d'angles et la lame de scie ne sont pas à fleur lors d'une ou plusieurs mesures.

- ▶ Ajuster l'angle d'onglet horizontal ou contacter le S.A.V. Hilti. → Page 45

7.4.4 Ajuster l'angle d'onglet horizontal et l'échelle 20

1. Enclencher le plateau tournant en position 0°.
2. Desserrer le bouton de blocage du plateau tournant.
3. Desserrer les quatre vis de fixation de l'échelle de l'angle d'onglet horizontal.
4. Régler un rapporteur d'angles sur 90°.
5. Poser le rapporteur d'angles à plat sur la table de sciage et à fleur du guide d'onglet.
6. Déplacer le rapporteur d'angles vers la lame de scie. Ajuster le plateau tournant, y compris l'échelle de l'angle d'onglet horizontal à l'aide du rapporteur d'angles.
 - ▶ Le rapporteur d'angles doit être à fleur de la lame de scie sur toute la ligne.
7. Serrer le bouton de blocage du plateau tournant pour empêcher un mouvement du plateau tournant.
8. Serrer les quatre vis de fixation de l'échelle de l'angle d'onglet horizontal.
9. Contrôler les angles d'onglet horizontal 45° côté droit et 45° côté gauche. → Page 44

Résultat 1 / 2

Aux angles d'onglet horizontal 45° côté droit et 45° côté gauche, le rapporteur d'angles est à fleur de la lame de scie sur toute la ligne.

- ▶ La scie est correctement ajustée.

Résultat 2 / 2

Le rapporteur d'angles et la lame de scie ne sont pas à fleur lors d'une ou plusieurs mesures.

- ▶ S'adresser au S.A.V. Hilti.

7.4.5 Ajuster l'indicateur de l'angle d'onglet horizontal 21

1. Contrôler la précision de l'angle d'onglet horizontal. → Page 44
2. Ajuster le cas échéant l'angle d'onglet horizontal. → Page 45
3. Régler l'angle d'onglet horizontal sur 0°.
4. Desserrer la vis de fixation d'un indicateur de l'angle d'onglet horizontal et le placer exactement sur l'indicateur 0°.
5. Resserrer la vis de fixation à la main. Ce faisant, maintenir l'indicateur exactement sur 0°.
6. Répéter éventuellement l'étape pour le second indicateur de l'angle d'onglet horizontal.
7. Contrôler la correspondance entre l'angle d'onglet horizontal réel et les deux indicateurs pour les angles de 45° à droite et 45° à gauche.
 - ▶ Si, lors du contrôle, un indicateur ne correspond pas à l'angle réel à un ou plusieurs endroits et ne peut pas être suffisamment ajusté, contactez le S.A.V. Hilti.

7.5 Remplacer le collecteur de poussière 22



AVERTISSEMENT

Risque de blessures causé par un déflecteur mal monté. Si un déflecteur est mal monté, la lame de scie peut être coincée. Le déflecteur ou la lame de scie peuvent casser et des parties peuvent être projetées à grande vitesse vers l'extérieur.

- ▶ Lors du montage du déflecteur, veiller à ce qu'il soit correctement monté tout autour. La partie à ressort du déflecteur doit être éloignée de la lame de scie.

1. Desserrer les vis de fixation (1) d'un côté et retirer le déflecteur (3).
2. Desserrer les vis de fixation du côté opposé et retirer le deuxième déflecteur et le collecteur de poussière (2).
3. Placer le nouveau collecteur de poussière (2) et un déflecteur (3).
 - ▶ Veiller à positionner le déflecteur correctement.
4. Visser les deux éléments avec les vis de fixation.



5. Visser le deuxième déflecteur et le collecteur de poussière sur le côté opposé.
 - ▶ Veiller à positionner le déflecteur correctement.
 - ▶ Vérifier que le collecteur de poussière et les deux déflecteurs tiennent correctement.

7.6 Remplacer les plaques à fente

Les plaques à fente sont réglées en usine de manière à ne pas entrer en contact avec la lame de scie. Néanmoins, les plaques à fente sont soumises à une certaine usure. **Hilti** propose les plaques à fente comme pièce de rechange. Elles peuvent être remplacées rapidement et facilement par l'utilisateur.

1. Dévisser toutes les vis de fixation des plaques à fente et éliminer les plaques usées.
2. Mettre les nouvelles plaques à fente en place.
3. Serrer légèrement les vis de fixation de manière à ce que les plaques à fente puissent encore être déplacées.
4. Régler la position des plaques à fentes de manière à ce que la lame de scie ne soit pas en contact avec l'utilisateur.
 - ▶ Contrôler surtout les angles d'onglet vertical maximum à droite et à gauche.
 - ▶ Contrôler également tous les autres angles d'onglet horizontal et vertical.
5. Une fois le réglage effectué, resserrer toutes les vis de fixation à la main.

8 Transport et stockage des outils sur accu et des accus

Transport de la scie à onglet radiale

Effectuer les opérations suivantes avant de transporter la scie :

- ▶ Pousser la tête de scie vers l'arrière (loin de soi) jusqu'en butée.
- ▶ Bloquer la glissière. → Page 37
- ▶ Régler la plaque de butée de la butée de profondeur de manière à ce que la butée de profondeur passe par l'ouverture lorsque la tête de scie est abaissée. → Page 37
- ▶ Régler l'angle d'onglet vertical sur 0°.
- ▶ Pousser la tête de scie vers le bas et introduire la sécurité de transport pour verrouiller la tête de scie.
- ▶ Le cas échéant, pousser les soutiens supplémentaires complètement vers l'intérieur. → Page 38
- ▶ Régler l'angle d'onglet horizontal jusqu'à la butée à droite (60°) et enclencher le plateau tournant.
- ▶ Retirer tous les accessoires (par exemple, serre-joint) qui ne peuvent pas être montés fermement sur la scie.
- ▶ Si nécessaire, démonter le bouton de blocage et le coincer dans l'un des supports au dos du guide d'onglet supérieur.

Ne porter la scie qu'aux endroits prévus :

- Poignées encastrées sous les soutiens supplémentaires (1)
- Poignée encastrée au dos à côté du dispositif d'aspiration des poussières (2)
- Poignée sur la tête de la scie (3)

Transport des accus

ATTENTION

Mise en marche inopinée lors du transport !

- ▶ Toujours retirer les accus avant de transporter les produits !
- ▶ Retirer le ou les accus.
- ▶ Ne jamais transporter les accus en vrac. Pendant le transport, les accus doivent être protégés des vibrations et chocs excessifs, isolés de tout matériau conducteur ou autre accu, pour éviter qu'ils n'entrent en contact avec d'autres pôles de batterie et qu'ils provoquent un court-circuit. **Tenir compte des prescriptions locales pour le transport d'accus.**
- ▶ Ne pas envoyer les accus par la poste. S'adresser à un service d'expédition s'il faut envoyer des accus non endommagés.
- ▶ Contrôler l'état du produit et des accus avant chaque utilisation, ainsi qu'avant et après tout transport prolongé.

Stockage

AVERTISSEMENT

Endommagement involontaire du fait d'accus défectueux ou de chute d'accu !

- ▶ Toujours retirer les accus avant de stocker les produits !



- ▶ Stocker si possible le produit et les accus dans un endroit sec et frais. Respecter les valeurs limites de température indiquées dans les caractéristiques techniques.
- ▶ Ne pas stocker les accus sur le chargeur. Retirer toujours l'accu du chargeur après la charge.
- ▶ Ne jamais stocker les accus exposés au soleil, sur des sources de chaleur ou derrière des vitres.
- ▶ Stocker le produit et les accus à l'abri des enfants et des personnes non autorisées.
- ▶ Contrôler l'état du produit et des accus avant chaque utilisation, ainsi qu'avant et après tout stockage prolongé.

9 Aide au dépannage

En cas de dysfonctionnements, tenir compte de l'indicateur d'état de l'accu. Voir le chapitre **Affichages de l'accu Li-Ion**.

En cas de défaillances non énumérées dans ce tableau ou auxquelles il n'est pas possible de remédier sans aide, contacter le S.A.V. **Hilti**.

Défaillance	Causes possibles	Solution
La vitesse de rotation chute brusquement.	Décharger l'accu.	▶ Charger l'accu.
	Force d'avance trop élevée.	▶ Réduire la force d'avance et remettre le produit en marche.
La lame de scie reste immobile.	Force d'avance trop élevée.	▶ Réduire la force d'avance et remettre le produit en marche.
Aucune fonction de freinage du moteur.	Décharger l'accu.	▶ Charger l'accu.
Les angles de coupe ne sont pas précis.	La précision des angles, les échelles ou les indicateurs sont déréglés.	<ul style="list-style-type: none"> ▶ Vérifier et ajuster les réglages et les affichages. → Page 43 ▶ S'il n'est pas possible d'ajuster soi-même un réglage ou si la précision de la scie s'écarte trop, contacter le S.A.V. Hilti.
Les DEL de l'accu n'indiquent rien	L'accu est défectueux	▶ S'adresser au S.A.V. Hilti .

10 Recyclage

AVERTISSEMENT

Risque de blessures en cas d'élimination incorrecte ! Émanations possibles de gaz et de liquides nocives pour la santé.

- ▶ Ne pas envoyer ni expédier d'accus endommagés !
- ▶ Recouvrir les raccordements avec un matériau non conducteur pour éviter tout court-circuit.
- ▶ Éliminer les accus en veillant à ce qu'ils soient hors de la portée des enfants.
- ▶ Éliminer l'accu en le déposant auprès du **Hilti Store** local ou s'adresser à l'entreprise de collecte des déchets compétente.

Les produits **Hilti** sont fabriqués pour une grande partie en matériaux recyclables. Le recyclage présuppose un tri adéquat des matériaux. **Hilti** reprend les appareils usagés dans de nombreux pays en vue de leur recyclage. Consulter le service clients **Hilti** ou un conseiller commercial.



- ▶ Ne pas jeter les appareils électriques, électroniques et accus dans les ordures ménagères !

11 Garantie constructeur

- ▶ En cas de questions sur les conditions de garantie, veuillez vous adresser à votre partenaire **Hilti** local.

12 Informations complémentaires

Des informations complémentaires concernant l'utilisation, la technique, l'environnement et le recyclage sont disponibles sous le lien ci-dessous : qr.hilti.com/manual/?id=2395173

Ce lien figure également à la fin du mode d'emploi sous forme de code QR.



Manual de instrucciones original

1 Información sobre el manual de instrucciones

1.1 Acerca de este manual de instrucciones

- ¡Atención! Asegúrese de haber leído y entendido toda la documentación adjunta, incluidas, entre otras, las instrucciones, advertencias de seguridad, ilustraciones y especificaciones que se proporcionan con este producto. Familiarícese con todas las instrucciones, advertencias de seguridad, ilustraciones, especificaciones, componentes y funciones del producto antes de utilizarlo. De lo contrario, existe peligro de descarga eléctrica, incendio y/o lesiones graves. Conserve todas las advertencias e instrucciones para futuras consultas.
- La documentación adjunta corresponde al estado actual de la técnica en el momento de la impresión. Compruebe siempre la última versión en la página del producto de la página web de Hilti. Para ello siga el enlace o escanee el código QR que figura en esta documentación y que se indica con el símbolo
- No entregue nunca el producto a otras personas sin este manual de instrucciones.

1.2 Explicación de símbolos

1.2.1 Avisos

Las advertencias de seguridad advierten de peligros derivados del manejo del producto. Se utilizan las siguientes palabras de peligro:

PELIGRO

PELIGRO !

- ▶ Término utilizado para un peligro inminente que puede ocasionar lesiones graves o incluso la muerte.

ADVERTENCIA

ADVERTENCIA !

- ▶ Término utilizado para un posible peligro que puede ocasionar lesiones graves o incluso la muerte.

PRECAUCIÓN

PRECAUCIÓN !

- ▶ Término utilizado para una posible situación peligrosa que puede ocasionar lesiones o daños materiales.

1.2.2 Símbolos en el manual de instrucciones

En este manual de instrucciones se utilizan los siguientes símbolos:

	Consulte el manual de instrucciones
	Indicaciones de uso y demás información de interés
	Manejo con materiales reutilizables
	No tire las herramientas eléctricas y las baterías junto con los desperdicios domésticos
	Hilti Batería de Ion-Litio
	Hilti Cargador

1.2.3 Símbolos en las figuras

En las figuras se utilizan los siguientes símbolos:

2	Estos números hacen referencia a la figura correspondiente incluida al principio de este manual de instrucciones.
3	La numeración en las figuras hace referencia a pasos de trabajo importantes o componentes importantes para los pasos de trabajo. Estos pasos de trabajo o componentes se resaltan en el texto mediante los correspondientes números, p. ej., (3) .



	En la figura Vista general se utilizan números de posición y los números de la leyenda están explicados en el apartado Vista general del producto .
	Preste especial atención a este símbolo cuando utilice el producto.

1.3 Símbolos dependientes del producto

1.3.1 Símbolos generales

Símbolos utilizados relacionados con el producto.

	El producto es apto para tecnología NFC, que es compatible con las plataformas iOS y Android.
	Corriente continua
n_0	Número de referencia de revoluciones en vacío
\varnothing	Diámetro
	Dimensiones de la hoja de sierra
	No mirar directamente la fuente de luz.
Li-Ion	Batería de Ion-Litio
	Nunca golpee la batería con un objeto ni utilice la batería como herramienta de percusión.
	No deje que la batería se caiga. No utilice baterías que hayan recibido algún golpe ni que estén dañadas de alguna otra forma.
	Serie utilizada de baterías de Ion-Litio Hilti . Consulte las indicaciones recogidas en el capítulo Uso conforme a las prescripciones .
	Si está presente en el producto, significa que el organismo de certificación lo ha certificado para el mercado estadounidense y canadiense según las normas vigentes.

1.3.2 Símbolo de prohibición

Los símbolos de prohibición indican acciones prohibidas.

	¡Zona de peligro! Mantener las manos, los dedos y los brazos lejos de esta zona.
--	--

1.3.3 Señales prescriptivas

Señales prescriptivas que indican acciones obligatorias.

	Utilizar protección para los oídos
	Utilizar protección para los ojos

1.4 Información del producto

Los productos han sido diseñados para usuarios profesionales y solo personal autorizado y debidamente formado puede utilizarlos y llevar a cabo su mantenimiento y conservación. Este personal debe estar especialmente instruido en lo referente a los riesgos de uso. La utilización del producto y sus dispositivos auxiliares puede conllevar riesgos para el usuario en caso de manejarse de forma inadecuada por personal no cualificado o utilizarse para usos diferentes a los que están destinados.

La denominación del modelo y el número de serie están indicados en la placa de identificación.



- ▶ Escriba el número de serie en la siguiente tabla. Necesitará los datos del producto para realizar consultas a nuestros representantes o al Departamento de Servicio Técnico.

Datos del producto

Sierra ingletadora a batería	SM 60-22
Generación	01
N.º de serie	

2 Seguridad

2.1 Indicaciones generales de seguridad para herramientas eléctricas

⚠ ADVERTENCIA Lea con atención todas las indicaciones de seguridad, instrucciones, ilustraciones y datos técnicos correspondientes a esta herramienta eléctrica. La negligencia en el cumplimiento de las instrucciones que se describen a continuación podría provocar descargas eléctricas, incendios o lesiones graves.

Conservar todas las instrucciones e indicaciones de seguridad para futuras consultas.

El término «herramienta eléctrica» empleado en las indicaciones de seguridad se refiere a herramientas eléctricas portátiles, ya sea con cable de red o sin cable, en caso de ser accionadas por batería.

Seguridad en el puesto de trabajo

- ▶ **Mantenga su área de trabajo limpia y bien iluminada.** El desorden o una iluminación deficiente de las zonas de trabajo pueden provocar accidentes.
- ▶ **No utilice la herramienta eléctrica en un entorno con peligro de explosión en el que se encuentren líquidos, gases o polvos inflamables.** Las herramientas eléctricas producen chispas que pueden llegar a inflamar los materiales en polvo o vapores.
- ▶ **Mantenga alejados a los niños y otras personas de su puesto de trabajo al emplear la herramienta eléctrica.** Una distracción le puede hacer perder el control sobre la herramienta.

Seguridad eléctrica

- ▶ **El enchufe de la herramienta eléctrica debe corresponder a la toma de corriente utilizada. No se deberá modificar el enchufe en forma alguna. No utilice enchufes adaptadores para las herramientas eléctricas con puesta a tierra.** Los enchufes sin modificar adecuados a las respectivas tomas de corriente reducen el riesgo de descarga eléctrica.
- ▶ **Evite el contacto corporal con superficies que tengan puesta a tierra, como pueden ser tubos, calefacciones, cocinas y frigoríficos.** El riesgo a quedar expuesto a una sacudida eléctrica es mayor si su cuerpo tiene contacto con tierra.
- ▶ **No exponga las herramientas eléctricas a la lluvia y evite que penetren líquidos en su interior.** El riesgo de recibir descargas eléctricas aumenta si penetra agua en la herramienta eléctrica.
- ▶ **No utilice el cable de conexión para transportar o colgar la herramienta eléctrica ni tire de él para extraer el enchufe de la toma de corriente. Mantenga el cable de conexión alejado de fuentes de calor, aceite, aristas afiladas o piezas móviles.** Los cables de conexión dañados o enredados pueden provocar descargas eléctricas.
- ▶ **Cuando trabaje al aire libre con una herramienta eléctrica, utilice exclusivamente un alargador adecuado para exteriores.** La utilización de un alargador adecuado para su uso en exteriores evita el riesgo de una descarga eléctrica.
- ▶ **Cuando no pueda evitarse el uso de la herramienta eléctrica en un entorno húmedo, utilice un interruptor de corriente de defecto.** La utilización de un interruptor de corriente de defecto evita el riesgo de una descarga eléctrica.

Seguridad de las personas

- ▶ **Permanezca atento, preste atención durante el trabajo y utilice la herramienta eléctrica con prudencia. No utilice una herramienta eléctrica si está cansado, ni tampoco después de haber consumido alcohol, drogas o medicamentos.** Un momento de descuido al utilizar la herramienta eléctrica podría producir graves lesiones.
- ▶ **Utilice el equipo de seguridad personal adecuado y lleve siempre gafas protectoras.** El riesgo de lesiones se reduce considerablemente si, según el tipo y la aplicación de la herramienta eléctrica empleada, se utiliza un equipo de seguridad personal adecuado como una mascarilla antipolvo, zapatos de seguridad con suela antideslizante, casco de protección o protección para los oídos.
- ▶ **Evite una puesta en servicio fortuita de la herramienta. Asegúrese de que la herramienta eléctrica está apagada antes de alzarla, transportarla, conectarla a la toma de corriente o insertar la batería.** Si transporta la herramienta eléctrica sujetándola por el interruptor de conexión/desconexión



o si introduce el enchufe en la toma de corriente con la herramienta conectada, podría producirse un accidente.

- ▶ **Retire las herramientas de ajuste o llaves fijas antes de conectar la herramienta eléctrica.** Una herramienta o llave colocada en una pieza giratoria puede producir lesiones al ponerse en funcionamiento.
- ▶ **Evite adoptar posturas forzadas. Procure que la postura sea estable y manténgase siempre en equilibrio.** De esta forma podrá controlar mejor la herramienta eléctrica en caso de presentarse una situación inesperada.
- ▶ **Utilice ropa adecuada. No utilice vestimenta amplia ni joyas. Mantenga su pelo, vestimenta y guantes alejados de las piezas móviles.** La vestimenta suelta, las joyas y el pelo largo se pueden enganchar con las piezas en movimiento.
- ▶ **Siempre que sea posible montar equipos de aspiración o captación de polvo, asegúrese de que están conectados y de que se utilizan correctamente.** El uso de un sistema de aspiración de polvo reduce los riesgos derivados del polvo.
- ▶ **No se crea a salvo de cualquier riesgo ni pase por alto ninguna de las normas de seguridad relativas a las herramientas eléctricas, aun cuando esté familiarizado con la herramienta eléctrica y tenga larga experiencia en su uso.** Una actuación negligente puede provocar lesiones graves en cuestión de segundos.

Uso y manejo de la herramienta eléctrica

- ▶ **No sobrecargue la herramienta. Utilice la herramienta eléctrica adecuada para el trabajo que se dispone a realizar.** Con la herramienta eléctrica apropiada podrá trabajar mejor y de modo más seguro dentro del margen de potencia indicado.
- ▶ **No utilice herramientas eléctricas con el interruptor defectuoso.** Las herramientas eléctricas que no se puedan conectar o desconectar son peligrosas y deben repararse.
- ▶ **Extraiga el enchufe de la toma de corriente o retire la batería extraíble antes de efectuar cualquier ajuste en la herramienta, cambiar accesorios o en caso de no utilizar la herramienta durante un tiempo prolongado.** Esta medida preventiva evita el riesgo de arranque accidental de la herramienta eléctrica.
- ▶ **Guarde las herramientas eléctricas que no utilice fuera del alcance de los niños. No permita utilizar la herramienta a ninguna persona que no esté familiarizada con ella o que no haya leído este manual de instrucciones.** Las herramientas eléctricas utilizadas por personas inexpertas son peligrosas.
- ▶ **Cuide su herramienta eléctrica y los accesorios adecuadamente. Compruebe si las piezas móviles de la herramienta funcionan correctamente y sin atascarse, y si existen piezas rotas o deterioradas que pudieran afectar al funcionamiento de la herramienta eléctrica. Encargue la reparación de las piezas defectuosas antes de usar la herramienta eléctrica.** Muchos accidentes son consecuencia de un mantenimiento inadecuado de la herramienta eléctrica.
- ▶ **Mantenga los útiles limpios y afilados.** Las herramientas de corte bien cuidadas y con aristas afiladas se atascan menos y se guían con más facilidad.
- ▶ **Utilice la herramienta eléctrica, los accesorios, útiles de inserción, etc., de acuerdo con estas instrucciones. Para ello, tenga en cuenta las condiciones de trabajo y la tarea que se va a realizar.** El uso de herramientas eléctricas para trabajos diferentes de aquellos para los que han sido concebidas puede resultar peligroso.
- ▶ **Mantenga las empuñaduras y las superficies de contacto secas, limpias y sin residuos de aceite o grasa.** Las empuñaduras y superficies de contacto resbaladizas impiden manejar y controlar la herramienta eléctrica con seguridad en situaciones imprevistas.

Uso y manejo de la herramienta de batería

- ▶ **Cargue las baterías únicamente con los cargadores recomendados por el fabricante.** Existe riesgo de incendio al intentar cargar baterías de un tipo diferente al previsto para el cargador.
- ▶ **Utilice únicamente las baterías previstas para la herramienta eléctrica.** El uso de otro tipo de baterías puede provocar daños e incluso incendios.
- ▶ **Si no utiliza la batería, guárdela separada de clips, monedas, llaves, clavos, tornillos y demás objetos metálicos que pudieran puentear sus contactos.** El cortocircuito de los contactos de la batería puede causar quemaduras o incendios.
- ▶ **La utilización inadecuada de la batería puede provocar fugas de líquido. Evite el contacto con este líquido. En caso de contacto accidental, enjuague el área afectada con abundante agua. En caso de contacto con los ojos, acuda además inmediatamente a un médico.** El líquido de la batería puede irritar la piel o producir quemaduras.
- ▶ **No utilice baterías dañadas o modificadas.** Una batería dañada o modificada puede tener un comportamiento imprevisible y provocar incendios, explosiones o riesgo de lesiones.



- ▶ **No exponga la batería al fuego o a temperaturas muy elevadas.** El fuego o las temperaturas superiores a 130 °C (265 °F) pueden provocar una explosión.
- ▶ **Siga todas las instrucciones relativas a la carga y no cargue nunca la batería o la herramienta de batería excediendo el rango de temperatura indicado en el manual de instrucciones.** Una carga incorrecta o fuera del rango de temperatura permitido puede destruir la batería y aumentar el riesgo de incendio.

Servicio Técnico

- ▶ **Solicite que un profesional lleve a cabo la reparación de su herramienta eléctrica y que utilice exclusivamente piezas de repuesto originales.** Solamente así se garantiza la seguridad de la herramienta.
- ▶ **No realice nunca el mantenimiento de baterías dañadas.** Cualquier mantenimiento de las baterías debe llevarlo a cabo el fabricante o un centro del Servicio de Atención al Cliente autorizado.

2.2 Indicaciones de seguridad para sierras ingletadoras

- ▶ **Las sierras ingletadoras están diseñadas para cortar madera o productos similares; no deben utilizarse para cortar materiales ferrosos como varillas, barras, tornillos, etc.** El polvo abrasivo puede provocar el bloqueo de las piezas móviles, como la caperuza protectora inferior. Las chispas de corte pueden quemar la caperuza protectora inferior, la placa de inserción y otras piezas de plástico.
- ▶ **Si es posible, fije la pieza de trabajo con abrazaderas. Si sujeta la pieza de trabajo con la mano, esta debe encontrarse siempre al menos a 100 mm (4 pulg.) de cada cara de la hoja de sierra. No utilice esta sierra para cortar piezas que sean demasiado pequeñas como para sujetarlas con abrazaderas o con la mano.** Si la mano se encuentra muy cerca de la hoja de sierra, aumenta el riesgo de lesiones por contacto con la misma.
- ▶ **La pieza de trabajo debe estar inmovilizada y sujeta o presionada contra el tope y la mesa. No presione la pieza de trabajo hacia la hoja de sierra y nunca corte «a mano alzada».** Las piezas de trabajo sueltas o en movimiento podrían salir despedidas a gran velocidad y causar lesiones.
- ▶ **Deslice la sierra por la pieza de trabajo. Evite tirar de la sierra a través de la pieza de trabajo. Para efectuar un corte, levante el cabezal de la sierra y colóquelo por encima de la pieza de trabajo sin cortarla. A continuación, encienda el motor, gire el cabezal de la sierra hacia abajo y presione la sierra por la pieza de trabajo.** Si se tira de la sierra para cortar, existe el riesgo de que la hoja de sierra se monte sobre la pieza de trabajo y salga disparada contra el usuario.
- ▶ **No cruce nunca la mano por encima de la línea de corte prevista, ni tampoco por delante ni por detrás de la hoja de sierra.** Es muy peligroso sujetar la pieza de trabajo «con las manos cruzadas», es decir, sujetar la pieza de trabajo por la parte derecha de la hoja de sierra o viceversa.
- ▶ **No introduzca la mano por detrás del tope cuando la hoja de sierra esté girando. Debe respetarse siempre una distancia de seguridad de al menos 100 mm (4 pulg.) entre la mano y la hoja de sierra giratoria (aplicable a ambos lados de la hoja de sierra, por ejemplo, al retirar restos de madera).** La cercanía de la hoja de sierra giratoria a la mano puede no ser evidente, lo que conlleva un serio peligro de lesiones.
- ▶ **Compruebe la pieza de trabajo antes de cortar. Si la pieza de trabajo está doblada o alabeada, fíjela al tope con el lado combado hacia fuera. Asegúrese siempre de que no haya espacio entre la pieza de trabajo, el tope y la mesa a lo largo de toda la línea de corte.** Las piezas dobladas o alabeadas pueden torcerse o desplazarse, lo que puede provocar que la hoja de sierra giratoria se atasque al cortar. No debe haber clavos ni cuerpos extraños en la pieza de trabajo.
- ▶ **Utilice la sierra solo cuando la mesa esté libre de herramientas, restos de madera, etc.; solo en esas condiciones puede colocarse la pieza de trabajo sobre la mesa.** Los residuos pequeños, los fragmentos sueltos de madera u otros objetos que entren en contacto con la hoja giratoria podrían salir disparados a gran velocidad.
- ▶ **Corte solo una pieza de trabajo cada vez.** No es posible sujetar correctamente múltiples piezas de trabajo apiladas, que podrían provocar que la hoja se atasque o resbale durante el serrado.
- ▶ **Asegúrese de colocar la sierra ingletadora sobre una superficie de trabajo plana y firme antes de utilizarla.** Una superficie de trabajo plana y firme reduce el riesgo de que la sierra ingletadora se vuelva inestable.
- ▶ **Planifique su trabajo. Siempre que ajuste la inclinación de la hoja de sierra o el ángulo de inglete, asegúrese de que el tope ajustable está correctamente configurado y pueda soportar la pieza de trabajo sin entrar en contacto con la hoja ni con la caperuza protectora.** Sin encender la máquina y sin poner la pieza de trabajo sobre la mesa, simule un movimiento de corte completo de la hoja de sierra para asegurarse de que no haya obstrucciones ni riesgo de corte en el tope.
- ▶ **Disponga un soporte adecuado para las piezas de trabajo que sean más anchas o más largas que la parte superior de la mesa, por ejemplo, por medio de extensiones de mesa o caballetes de**



serrado. Las piezas de trabajo más largas o más anchas que la mesa de la sierra ingletadora pueden volcar si no están firmemente apoyadas. Si se vuelca un fragmento cortado de madera o la pieza de trabajo, la caperuza protectora inferior podría levantarse o salir despedida sin control desde la hoja giratoria.

- ▶ **Las personas no pueden sustituir las extensiones de mesa o los apoyos adicionales.** Un apoyo inestable de una pieza de trabajo puede provocar el atasco de la hoja. Además, la pieza de trabajo podría moverse durante el corte y arrastrarle a usted y a su ayudante hacia la cuchilla giratoria.
- ▶ **La pieza cortada no debe presionarse contra la hoja de sierra giratoria.** Si hay poco espacio, p. ej. al utilizar topes longitudinales, la pieza cortada podría quedar encajada en la hoja y salir despedida violentamente.
- ▶ **Utilice siempre una abrazadera o un dispositivo adecuado para sujetar correctamente los materiales redondos como barras o tubos.** Las barras tienden a rodar cuando se cortan, lo que puede provocar que la hoja se quede enganchada y provoque lesiones en la mano que sujeta la pieza.
- ▶ **Espere a que la hoja alcance la velocidad completa antes de incidir sobre la pieza de trabajo.** De este modo, se reduce el riesgo de que la pieza de trabajo salga despedida.
- ▶ **Si la pieza de trabajo se atasca o la hoja se bloquea, apague la sierra ingletadora. Espere a que se detengan todas las piezas móviles, desenchufe el enchufe de red o extraiga la batería. Entonces, retire el material atascado.** Si se continúa cortando con un bloqueo de este tipo, se podría perder el control de la sierra ingletadora o incluso dañarla.
- ▶ **Una vez finalizado el corte, suelte el interruptor, mantenga el cabezal de la sierra hacia abajo y espere a que la hoja se detenga antes de retirar la pieza cortada.** Es muy peligroso acercar la mano a la hoja de sierra cuando esta se está ralentizando.
- ▶ **Sujete firmemente la empuñadura cuando realice un corte incompleto o si suelta el interruptor antes de que el cabezal de la sierra haya alcanzado la posición inferior.** El efecto de frenado de la sierra puede hacer que el cabezal baje bruscamente, con el consiguiente riesgo de lesiones.

2.3 Indicaciones de seguridad adicionales

- ▶ Utilice el producto y los accesorios solo si están en perfecto estado técnico.
- ▶ No efectúe nunca manipulaciones o modificaciones en el producto ni en los accesorios.
- ▶ - Riesgo de lesiones en caso de caída de herramientas o accesorios. Antes de iniciar el trabajo, compruebe que la batería y los accesorios montados estén bien fijados.
- ▶ El polvo que se genera al pulir, lijar, cortar y taladrar puede contener productos químicos peligrosos, como, por ejemplo, plomo o pinturas basadas en plomo; ladrillos, hormigón y otros productos de mampostería, piedra natural y otros productos que contengan silicatos; determinadas maderas, como el roble o el haya o las maderas tratadas químicamente, o amianto o materiales que contengan asbesto. La exposición del usuario y las personas circundantes debe regularse según la clase de peligro de los materiales con los que se trabaje. Tome las medidas necesarias para mantener la exposición a un nivel seguro, p. ej., mediante el uso de un sistema de recogida de polvo o una mascarilla adecuada. Las medidas genéricas para reducir la exposición son, entre otras:
 - ▶ trabajar en un espacio bien ventilado;
 - ▶ evitar el contacto prolongado con el polvo;
 - ▶ desviar el polvo de la cara y el cuerpo;
 - ▶ usar prendas protectoras y lavar con agua y jabón las zonas expuestas.
- ▶ Mientras usa el producto, utilice protección para los ojos, casco de protección, protección para los oídos, así como una mascarilla adecuada.
- ▶ Efectúe a menudo pausas y ejercicios para mejorar la circulación de los dedos. Tras muchas horas de trabajo expuesto a las vibraciones intensas, pueden surgir complicaciones en los vasos sanguíneos o en el sistema nervioso en dedos, manos o articulaciones de las manos.
- ▶ Mantenga siempre las rejillas de ventilación despejadas. Riesgo de quemaduras debido a rejillas de ventilación cubiertas.
- ▶ No suelte la empuñadura cuando el cabezal de la sierra esté guiado hacia abajo. Vuelva a colocar siempre el cabezal de la sierra en la posición superior de forma controlada. Existe un riesgo de sufrir lesiones si el cabezal de la sierra se mueve sin control.
- ▶ No utilice hojas de sierra desafiladas, agrietadas, combadas o dañadas. Las hojas de sierra con dientes desafilados o desalineados provocan una fricción excesiva, atasco o rebote de la hoja de sierra a causa de una ranura de corte demasiado estrecha.
- ▶ No retire nunca restos de corte, virutas de madera o similares de la zona de corte mientras la sierra esté en funcionamiento. Siempre apague primero la sierra y vuelva a colocar el cabezal de la sierra en la posición superior.



- ▶ Utilice únicamente hojas de sierra autorizadas para el producto, que cumplan las especificaciones que figuran en los datos técnicos o en el producto (por ejemplo, diámetro, velocidad, grosor, taladro de alojamiento, material, etc...) y que hayan sido probadas y etiquetadas de conformidad con la norma EN 847-1.
- ▶ Utilice únicamente hojas de sierra cuya velocidad admisible alcance, como mínimo, el valor máximo indicado en el producto.
- ▶ Tras los trabajos, no toque la hoja de sierra hasta que se haya enfriado; la hoja de sierra se calienta mucho durante su funcionamiento.
- ▶ Utilice guantes de protección para cambiar la hoja de sierra.
- ▶ Antes de cada aplicación, compruebe que la caperuza protectora cierra correctamente. Mueva el cabezal de la sierra hacia abajo y vuelva a colocarlo en la posición superior de forma controlada. No utilice la sierra si la caperuza protectora no se mueve con total libertad o no se cierra inmediatamente al levantar el cabezal de la sierra. No bloquee ni conecte la caperuza protectora inferior en posición abierta.
- ▶ No utilice nunca el producto sin caperuza protectora.
- ▶ Siempre que corte perfiles de aluminio, utilice la herramienta a baja velocidad.
- ▶ Utilice y fije siempre los soportes adicionales fijados al producto.
- ▶ Al transportar el producto, sujételo únicamente por los puntos previstos para ello (cavidades de agarre y asa de transporte). No transporte nunca la herramienta eléctrica por el brazo deslizante o la empuñadura.
→ página 70
- ▶ Evite que se sobrecalienten las puntas de los dientes de la sierra. Al serrar materiales de plástico debe procurarse que el plástico no se funda.

2.4 Manipulación y utilización segura de las baterías

- ▶ **Tenga en cuenta las siguientes indicaciones de seguridad para el manejo y el uso seguros de las baterías de Ion-Litio.** En caso de no respetarlas, puede llevar a irritación de la piel, lesiones corrosivas graves, quemaduras químicas, fuego o explosiones.
- ▶ Utilice las baterías solo si están en perfecto estado técnico.
- ▶ Manipule las baterías con cuidado a fin de evitar daños o escapes de líquido altamente peligroso para su salud.
- ▶ Las baterías no deben modificarse ni manipularse en ningún caso.
- ▶ Las baterías no se deben destruir, comprimir, calentar por encima de 80 °C (176 °F) o quemar.
- ▶ No utilice ni cargue baterías que hayan recibido algún golpe ni que estén dañadas de alguna otra forma. Compruebe con regularidad si las baterías presentan signos de daños.
- ▶ No utilice nunca baterías recicladas o reparadas.
- ▶ Nunca utilice la batería o una herramienta eléctrica de batería como herramienta de percusión.
- ▶ No exponga nunca las baterías a radiación solar directa, temperaturas elevadas, chispas o llamas abiertas. Esto puede provocar explosiones.
- ▶ No toque los polos de la batería con los dedos, con herramientas, con joyas o con otros objetos conductores de la electricidad. Esto puede dañar la batería y provocar otros daños materiales y lesiones.
- ▶ Mantenga las baterías alejadas de la lluvia, la humedad y los líquidos. Si entra humedad, pueden producirse cortocircuitos, descargas eléctricas, quemaduras, incendios y explosiones.
- ▶ Utilice únicamente cargadores y herramientas eléctricas concebidos para este tipo de baterías. Para ello, consulte las indicaciones recogidas en el manual de instrucciones correspondiente.
- ▶ No utilice ni almacene la batería en entornos con peligro de explosión.
- ▶ Si al tocar la batería detecta que está muy caliente, puede deberse a una avería en la misma. Coloque la batería en un lugar visible, no inflamable, a suficiente distancia de otros materiales inflamables. Deje que la batería se enfríe. Si, después de una hora, la herramienta sigue estando demasiado caliente para tocarla significa que está averiada. Diríjase al Servicio Técnico de **Hilti** o lea el documento «Indicaciones de seguridad y uso de las baterías de Ion-Litio de **Hilti**».



Tenga en cuenta las directivas especiales aplicables al transporte, almacenamiento y uso de las baterías de Ion-Litio.

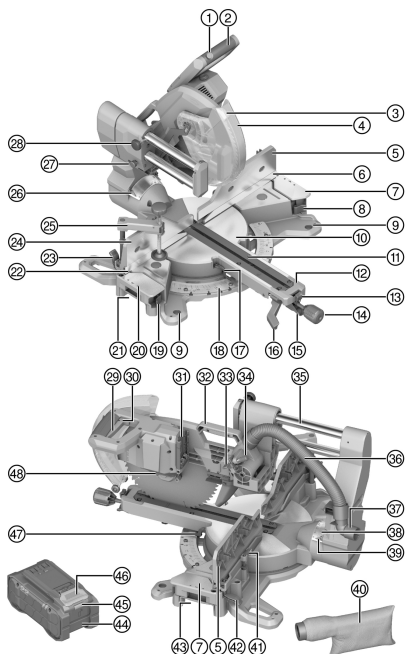
Lea las instrucciones de seguridad y uso de las baterías de Ion-Litio de **Hilti**, que puede encontrar escaneando el código QR que se encuentra al final de estas instrucciones de uso.





3 Descripción

3.1 Vista general del producto



- ① Bloqueo de conexión
- ② Empuñadura
- ③ Indicador de corte LED
- ④ Cubierta protectora
- ⑤ Tope de inglete superior derecho
- ⑥ Tope de inglete inferior derecho
- ⑦ Soporte adicional, lado derecho
- ⑧ Palanca de desbloqueo del soporte adicional derecho
- ⑨ Orificio de fijación
- ⑩ Plato giratorio
- ⑪ Placas ranuradas
- ⑫ Brazo del plato giratorio
- ⑬ Posición de encaje de la palanca de desbloqueo del plato giratorio
- ⑭ Pomo de bloqueo del plato giratorio
- ⑮ Palanca de desbloqueo del plato giratorio
- ⑯ Palanca de desbloqueo, ángulo de inglete vertical
- ⑰ Indicador de ángulo de inglete horizontal izquierdo
- ⑱ Escala de ángulo de inglete horizontal
- ⑲ Palanca de desbloqueo del soporte adicional izquierdo
- ⑳ Soporte adicional izquierdo
- ㉑ Cavidad de agarre izquierda
- ㉒ Tope de inglete inferior izquierdo
- ㉓ Palanca de desbloqueo del tope de inglete superior izquierdo
- ㉔ Tope de inglete superior izquierdo
- ㉕ Abrazadera de tornillo
- ㉖ Indicador de ángulo de inglete vertical izquierdo
- ㉗ Seguro de transporte
- ㉘ Tornillo de fijación de la extensión
- ㉙ Interruptor de conexión y desconexión
- ㉚ Orificio para candado
- ㉛ Ranura de inserción de la batería
- ㉜ Empuñadura de transporte
- ㉝ Placa de tope, tope de profundidad
- ㉞ Tope de profundidad
- ㉟ Extensión/barra deslizante
- ㊱ Tubo de conexión para el aspirador de polvo
- ㊲ Racor de aspiración
- ㊳ Escala de ángulo de inglete vertical
- ㊴ Indicador de ángulo de inglete vertical derecho
- ㊵ Saco para polvo
- ㊶ Llave de hexágono interior
- ㊷ Palanca de desbloqueo del tope de inglete superior derecho
- ㊸ Cavidad de agarre derecha
- ㊹ Batería
- ㊺ Indicador de estado de la batería
- ㊻ Tecla de desbloqueo de la batería
- ㊼ Indicador de ángulo de inglete horizontal derecho
- ㊽ Bloqueo del tornillo



3.2 Uso conforme a las prescripciones

El producto descrito es una sierra ingletadora a batería. Está diseñada para serrar madera, productos de madera, plásticos y perfiles de aluminio. El producto puede utilizarse para efectuar cortes transversales, en diagonal y a inglete.

El producto está equipado con un manguito de empalme para aspiración de virutas apto para mangueras de aspiración convencionales. Para conectar el tubo del extractor de polvo a la sierra puede ser necesario un adaptador específico.

- Utilice la sierra únicamente con la bolsa para virutas suministrada o con un extractor de polvo adecuado.
- Utilice únicamente hojas de sierra adecuadas para el producto, que coincidan con los datos técnicos (p. ej. diámetro, velocidad, espesor, material, etc...). No se permite el uso de discos lijadores y tronzadores ni de hojas de sierra de acero de corte rápido de alta aleación (acero HSS).
- Nunca corte magnesio con el producto.
- Para este producto utilice únicamente baterías de Ion-Litio de la serie B 22 de Hilti Nuron. Para garantizar que este producto ofrece un rendimiento óptimo, Hilti recomienda utilizar las baterías indicadas en la tabla que encontrará al final de este manual de instrucciones.
- Para estas baterías utilice exclusivamente los cargadores Hilti de las series indicadas en la tabla que encontrará al final de este manual de instrucciones.

3.3 Suministro

Sierra ingletadora, hoja de sierra, brida de apriete, brida de alojamiento, tornillo de apriete, llave de hexágono interior, abrazadera de tornillo, pomo de bloqueo plato giratorio, manual de instrucciones

Encontrará otros productos del sistema autorizados para su producto en su **Hilti Store** o en Internet, en: www.hilti.group

3.4 Mostrar la batería Ion-Litio

Las baterías de Ion-Litio de Hilti Nuron pueden mostrar el estado de carga, los mensajes de error y el estado de la batería.

3.4.1 Visualización del estado de carga y de los mensajes de error

ADVERTENCIA

Riesgo de lesiones por la caída de la batería

- ▶ Con la batería colocada, asegúrese tras pulsar la tecla de desbloqueo de que la batería vuelva a encajar correctamente en el producto empleado.

Para recibir una de las siguientes indicaciones, pulse brevemente la tecla de desbloqueo de la batería.

El estado de carga y las posibles averías también se muestran de forma permanente mientras el producto esté conectado.

Estado	Significado
Cuatro (4) LED encendidos permanentemente en verde	Estado de carga: 100 % a 71 %
Tres (3) LED encendidos permanentemente en verde	Estado de carga: 70 % a 51 %
Dos (2) LED se iluminan permanentemente en verde	Estado de carga: 50 % a 26 %
Un (1) LED está encendido permanentemente en verde	Estado de carga: 25 % a 10 %
Un (1) LED parpadea lentamente en verde	Estado de carga: < 10 %
Un (1) LED parpadea rápidamente en verde	La batería Ion-Litio está totalmente descargada. Cargue la batería. Si tras cargar la batería el LED sigue parpadeando rápidamente, diríjase al Servicio Técnico de Hilti.



Estado	Significado
Un (1) LED parpadea rápidamente en amarillo	La batería de Ion-Litio o el producto conectado a ella están sobrecargados, demasiado calientes, demasiado fríos o existe otro error. Ponga el producto y la batería en la temperatura de trabajo recomendada y no sobrecargue el producto durante su uso. Si sigue viendo el mensaje, diríjase al Servicio Técnico de Hilti .
Un (1) LED está encendido en amarillo	La batería Ion-Litio y el producto conectado a ella no son compatibles. Diríjase al servicio técnico de Hilti .
Un (1) LED parpadea rápidamente en rojo	La batería Ion-Litio está bloqueada y no puede seguir utilizándose. Diríjase al servicio técnico de Hilti .

3.4.2 Visualización del estado de la batería

Para consultar el estado de la batería, mantenga la tecla de desbloqueo pulsada durante más de tres segundos. El sistema no detecta un posible funcionamiento incorrecto de la batería debido a un mal uso, como caídas, hendiduras, daños por calor externo, etc.

Estado	Significado
Todos los LED se encienden como luz en movimiento y, a continuación, se enciende un (1) LED permanentemente en verde.	La batería puede seguir utilizándose.
Todos los LED se encienden como luz en movimiento y, a continuación, parpadea un (1) LED rápidamente en amarillo.	No se ha podido completar la consulta sobre el estado de la batería. Repita la operación o diríjase al Servicio Técnico de Hilti .
Todos los LED se encienden como luz en movimiento y, a continuación, parpadea un (1) LED permanentemente en rojo.	Cuando un producto conectado puede seguir utilizándose, la capacidad restante de la batería es inferior al 50 %. Cuando un producto conectado ya no puede seguir utilizándose, la batería ha llegado al final de su vida útil y debe ser sustituida. Diríjase al servicio técnico de Hilti .

4 Datos técnicos

4.1 Características del producto

Tensión nominal	21,6 V	
Revoluciones nominales en vacío	4.300 rpm	
Diámetro de la hoja de sierra	305 mm (12,0 in)	
Grosor del disco base	0,5 mm ... 1,5 mm (0,02 in ... 0,06 in)	
Orificio de la hoja de sierra	30 mm (1,2 in)	
Ancho de corte	3,2 mm (0,13 in)	
Ángulo de inglete horizontal máximo	Derecha	≤ 60°
	Izquierda	≤ 52°
Ángulo de inglete vertical máximo	Derecha	≤ 48°
	Izquierda	≤ 48°
Capacidad de corte máxima independiente de otras dimensiones o ángulos de inglete	Altura	≤ 100 mm (≤ 3,9 in)



Capacidad de corte máxima independiente de otras dimensiones o ángulos de inglete	Anchura	≤ 360 mm (≤ 14,2 in)
Peso		25,6 kg (56,4 lb) (sin batería)
Temperatura ambiente en funcionamiento		-17 °C ... 60 °C (1 °F ... 140 °F)
Temperatura de almacenamiento		-20 °C ... 70 °C (-4 °F ... 158 °F)

4.2 Batería

Tensión de servicio de la batería	21,6 V
Peso batería	Véase al final del manual de instrucciones
Temperatura ambiente en funcionamiento	-17 °C ... 60 °C (1 °F ... 140 °F)
Temperatura de almacenamiento	-20 °C ... 40 °C (-4 °F ... 104 °F)
Temperatura de la batería al comenzar la carga	-10 °C ... 45 °C (14 °F ... 113 °F)

4.3 Máxima capacidad de corte

Las dimensiones indicadas de anchura y altura son interdependientes. Los valores máximos de anchura y altura se encuentran en el capítulo Características del producto. → página 58

Ángulo de inglete horizontal	Ángulo de inglete vertical	Altura × anchura
0°	0°	100 mm x 355 mm (3,9 in x 14,0 in)
	22,5°, derecha	72 mm x 355 mm (2,8 in x 14,0 in)
	22,5°, izquierda	90 mm x 355 mm (3,5 in x 14,0 in)
	30°, derecha	60 mm x 355 mm (2,4 in x 14,0 in)
	30°, izquierda	78 mm x 355 mm (3,1 in x 14,0 in)
	45°, derecha	40 mm x 355 mm (1,6 in x 14,0 in)
	45°, izquierda	65 mm x 340 mm (2,6 in x 13,4 in)
	48°, derecha	30 mm x 355 mm (1,2 in x 14,0 in)
	48°, izquierda	50 mm x 355 mm (2,0 in x 14,0 in)
45°, derecha 45°, izquierda	0°	100 mm x 250 mm (3,9 in x 9,8 in)
	45°, derecha	40 mm x 250 mm (1,6 in x 9,8 in)
	45°, izquierda	62 mm x 250 mm (2,4 in x 9,8 in)
52°, izquierda	0°	100 mm x 200 mm (3,9 in x 7,9 in)



Ángulo de inglete horizontal	Ángulo de inglete vertical	Altura × anchura
52°, izquierda	45°, derecha	40 mm x 220 mm (1,6 in x 8,7 in)
	45°, izquierda	62 mm x 220 mm (2,4 in x 8,7 in)
60°, derecha	0°	100 mm x 176 mm (3,9 in x 6,9 in)
	45°, derecha	40 mm x 178 mm (1,6 in x 7,0 in)
	45°, izquierda	30 mm x 190 mm (1,2 in x 7,5 in)

5 Preparación del trabajo

ADVERTENCIA

Riesgo de lesiones por arranque involuntario.

- ▶ Antes de insertar la batería, asegúrese de que el producto correspondiente esté desconectado.
- ▶ Retire la batería antes de realizar ajustes en la herramienta o de cambiar accesorios.

Respete las indicaciones de seguridad y las advertencias presentes en esta documentación y en el producto.

5.1 Montaje del pomo de bloqueo

El pomo de bloqueo del plato giratorio no viene montado de fábrica y debe montarse antes de utilizar la sierra.

- ▶ Enrosque el pomo de bloqueo en el brazo del plato giratorio.

5.2 Carga de la batería

1. Antes de cargarla, lea el manual de instrucciones del cargador.
2. Asegúrese de que los contactos de la batería y del cargador estén limpios y secos.
3. Cargue la batería en un cargador autorizado. → página 57

5.3 Colocación de la batería

ADVERTENCIA

Riesgo de lesiones por cortocircuito o caída de la batería.

- ▶ Antes de insertar la batería, asegúrese de que los contactos de la batería y del producto estén libres de cuerpos extraños.
- ▶ Asegúrese de que la batería encaje siempre correctamente.

1. Cargue por completo la batería antes de la primera puesta en servicio.
2. Introduzca la batería en el producto hasta que encaje de forma audible.
3. Compruebe que la batería está bien colocada.

5.4 Extracción de la batería

1. Pulse la tecla de desbloqueo de la batería.
2. Retire la batería del producto.

5.5 Montaje del producto

El producto debe estar bien sujeto en una superficie plana y estable.

1. Coloque el producto sobre una superficie plana y estable.
2. Atornille el producto a la superficie de trabajo por los orificios de montaje. Utilice tornillos adecuados para este fin.



3. Alternativamente, puede sujetar las patas del aparato a la superficie de trabajo utilizando abrazaderas de tornillo convencionales.



Otra alternativa que ofrece **Hilti** es un bastidor de base que permite el montaje del producto para su uso portátil.

5.6 Colocación en posición de trabajo 2

1. Presione ligeramente hacia abajo el cabezal de la sierra y extraiga el seguro de transporte.
2. Guíe el cabezal de la sierra hacia arriba de manera controlada.

5.7 Aspiración de polvo

5.7.1 Montaje del saco para polvo

El saco para polvo recoge una parte considerable del polvo generado y permite trabajar con limpieza.

- Conecte el saco para polvo al racor de aspiración.

5.7.2 Conexión de un extractor de polvo

El extractor de polvo debe ser adecuado para el material procesado. Debe utilizar un aspirador especial adecuado para aspirar polvo peligroso, cancerígeno o seco.

- Conecte la manguera de aspiración al racor de aspiración.

5.8 Montaje de la hoja de sierra 3

Asegúrese de que la hoja de sierra montada satisface los requisitos técnicos y está bien afilada. Un buen afilado de la hoja de sierra es indispensable para realizar un corte perfecto.

1. Limpie la brida de alojamiento y la brida de apriete.
2. Inserte la brida de alojamiento en el husillo de accionamiento (1) con la orientación correcta.
3. Abra la caperuza protectora contra oscilaciones (2).
4. Inserte la nueva hoja de sierra.



Tenga en cuenta la flecha que indica la dirección de giro (3) en la hoja de sierra y en el producto. Ambas deben coincidir.

5. Encaje la brida de apriete externa correctamente orientada (4).
6. Atornille el tornillo de apriete.
7. Coloque la llave de hexágono interior en el tornillo de apriete de la hoja de sierra.
8. Presione y mantenga presionado el bloqueo del husillo (5).
9. Apriete el tornillo de apriete con la llave de hexágono interior (6).
10. Compruebe la correcta colocación de la hoja de sierra.
11. Compruebe que la hoja de sierra pueda moverse libremente. La hoja de sierra no debe entrar en contacto con otros componentes de la sierra en ningún ajuste (ángulo de inglete horizontal o vertical).
12. Inserte la llave de hexágono interior en el alojamiento previsto para tal fin.

5.9 Desmontaje de la hoja de sierra 4



ADVERTENCIA

Peligro de quemaduras y cortes en la hoja de sierra, el tornillo de apriete y la brida de apriete Como consecuencia pueden producirse quemaduras y lesiones por cortes.

- Utilice guantes de protección para cambiar de útil.

1. Presione y mantenga presionado el bloqueo del husillo (1).
2. Afloje el tornillo de apriete con la llave de hexágono interior (2).
3. Retire el tornillo de apriete y la brida de apriete (3).
4. Abra la caperuza protectora contra oscilaciones (4) y retire la hoja de sierra (5).



En caso necesario puede extraerse la brida de alojamiento para su limpieza.



Respete las indicaciones de seguridad y las advertencias presentes en esta documentación y en el producto.

6.1 Bloqueo/liberación de la extensión 5

La extensión se puede bloquear en cualquier punto.

1. Para bloquear la extensión, gire el tornillo de fijación **(1)** en sentido horario.
 - ▶ El tornillo de fijación sujeta la barra deslizante para impedir el deslizamiento.
2. Para liberar la extensión, gire el tornillo de fijación **(1)** en sentido antihorario.

6.2 Ajuste de la profundidad de corte en el tope de profundidad 6

Utilice el tope de profundidad si, por ejemplo, desea serrar una ranura.

1. Gire la placa del tope de profundidad **(1)** de forma que esta no pueda pasar por la abertura al bajar el cabezal de la sierra.
2. Ajuste la profundidad de corte deseada con el tornillo de cabeza moleteada **(2)**.
3. Cuando ya no desee seguir limitando la profundidad de corte, gire la placa del tope de profundidad **(1)** de forma que esta pueda pasar por la abertura al bajar el cabezal de la sierra.

6.3 Ampliación de la mesa de serrado 7



ADVERTENCIA

Riesgo de lesiones por piezas de trabajo largas. Las piezas de trabajo largas pueden inclinarse sin control durante el corte, elevar la caperuza protectora, atascar la hoja de sierra y provocar un rebote.

- ▶ Apoye bien las piezas de trabajo largas sobre caballetes de serrado adicionales o superficies de soporte similares.

La superficie de apoyo de la mesa de serrado se puede ampliar hacia la izquierda o hacia la derecha mediante soportes adicionales.

1. Abra la palanca de desbloqueo del soporte adicional **(1)**.
2. Extraiga el soporte adicional **(2)**.
3. Bloquee la palanca de desbloqueo del soporte adicional **(1)**.
4. Si es necesario, repita los pasos para el soporte adicional del lado opuesto.

6.4 Ajuste de los toques de inglete superiores 8, 9

En función del ajuste del ángulo de inglete horizontal o vertical, los toques de inglete superiores deben extraerse hacia fuera o retirarse por completo.

1. Abra la palanca de desbloqueo **(1)** del tope de inglete superior izquierdo o derecho.
2. Tire del tope de inglete superior **(2)** tanto como sea necesario o retírelo.
3. Cierre la palanca de desbloqueo **(1)**.
 - ▶ Vuelva a montar los toques de inglete superiores en la posición más interior cuando realice cortes rectos.
4. Si se ha retirado el tope de inglete superior, también se puede fijar en las barras deslizantes del soporte adicional para que quede almacenado con seguridad durante el proceso de serrado.

6.5 Ajuste de ángulo de inglete horizontal 10



ADVERTENCIA

Riesgo de lesiones si el plato giratorio no está bloqueado. Si el plato giratorio no está bloqueado, puede girar de manera incorrecta durante el corte, ladear la pieza de trabajo y provocar un rebote.

- ▶ Aplique siempre el pomo de bloqueo del plato giratorio antes de proceder con el corte.



Condiciones: Ángulo de inglete estándar

En la escala del ángulo de inglete horizontal hay unas muescas que permiten un ajuste rápido y preciso de los ángulos de inglete horizontal de uso más frecuente. El plato giratorio se puede encajar en estas muescas.

Posiciones de encaje, ángulo de inglete horizontal

Izquierda	Centro	Derecha
45°; 31,6°; 22,5°; 15°	0°	15°; 22,5°; 31,6°; 45°; 60°

- ▶ Si es necesario, suelte el pomo de bloqueo del plato giratorio (2).
- ▶ Tire de la palanca de desbloqueo del plato giratorio hacia arriba (1), sujétela y gire el plato giratorio hasta justo antes del ángulo de inglete horizontal (3) deseado.
- ▶ Suelte la palanca de desbloqueo del plato giratorio y gire el plato hasta que la pestaña de bloqueo encaje en el ángulo de inglete horizontal deseado.
- ▶ Aplique el pomo de bloqueo del plato giratorio (2).

Condiciones: Cualquier ángulo de inglete horizontal

Es posible ajustar el ángulo de inglete horizontal como se desee, más allá de los ángulos estándar.

- ▶ Si es necesario, suelte el pomo de bloqueo del plato giratorio (2).
- ▶ Tire de la palanca de desbloqueo del plato giratorio (1) hacia arriba y engánchela (4).
- ▶ Sitúe el plato giratorio en el ángulo de inglete horizontal deseado (3).
- ▶ Aplique el pomo de bloqueo del plato giratorio (2).

6.6 Ajuste del ángulo de inglete vertical

ADVERTENCIA

Riesgo de lesiones si la inclinación no está bloqueada. Si el ajuste del ángulo de inglete vertical no está bloqueado, el cabezal de la sierra puede inclinarse durante el corte y provocar un rebote.

- ▶ Presione siempre la palanca de desbloqueo del ángulo de inglete vertical completamente hacia abajo después de ajustarla para bloquear la inclinación.

PRECAUCIÓN

Riesgo de lesiones por los topes de inglete superiores. Si se ha ajustado un ángulo de inglete vertical, la hoja de sierra puede chocar con los topes de inglete superiores y provocar daños y rebotes.

- ▶ Después de ajustar un ángulo de inglete vertical, compruebe que la hoja de sierra puede moverse libremente y desplace los topes de inglete superiores hacia fuera tanto como sea necesario.

El cabezal de la sierra puede encastrarse en varias posiciones para un ajuste rápido y preciso de los ángulos de inglete vertical de uso más frecuente.

Posiciones de encaje, ángulo de inglete vertical

Izquierda	Centro	Derecha
45°; 33,9°; 22,5°	0°	22,5°; 33,9°; 45°

- ▶ Tire hacia arriba de la palanca de desbloqueo del ajuste de inglete vertical para liberarla (2).
- ▶ Tire completamente hacia arriba de la palanca de desbloqueo del ajuste de inglete vertical para que el cabezal de la sierra pueda moverse libremente (3).
- ▶ Suelte la palanca de desbloqueo e incline el cabezal de la sierra hasta que encaje la pestaña de bloqueo.
 - ▶ El cabezal de la sierra puede bloquearse en cualquiera de las posiciones anteriores.
- ▶ A continuación, presione la palanca de desbloqueo completamente hacia abajo (1) para bloquear el cabezal de la sierra en la posición ajustada.
- ▶ Si desea ajustar un ángulo cualquiera de inglete vertical, mantenga la palanca de desbloqueo del ajuste de inglete vertical en la posición superior (3) hasta que alcance el ángulo de inglete vertical deseado.
- ▶ A continuación, presione la palanca de desbloqueo completamente hacia abajo (1) para bloquear el cabezal de la sierra en la posición ajustada.
- ▶ Ajuste los topes de inglete superiores de manera que no choquen con la hoja de sierra. → página 62



6.7 Activación del indicador de línea de corte

La sierra está equipada con un indicador de línea de corte. Un LED en el cabezal de la sierra ilumina la zona de trabajo y proyecta una sombra por la hoja de sierra que indica con precisión la línea de corte.

1. Active el interruptor de conexión y desconexión sin presionar el bloqueo de conexión.
 - ▶ El LED se enciende.
2. Guíe el cabezal de la sierra hacia abajo.
 - ▶ Se proyecta la sombra de la hoja de sierra sobre la pieza de trabajo para mostrar la línea de corte.
3. En caso necesario, ajuste la pieza de trabajo o el ángulo de inglete horizontal o vertical a la línea de corte.

6.8 Colocación y fijación de la pieza de trabajo **12**, **13**, **14**

ADVERTENCIA

Riesgo de lesiones por madera alabeada. Una pieza de trabajo alabeada o combada puede ladearse contra la hoja de sierra y provocar un rebote.

- ▶ Coloque siempre las piezas de trabajo alabeadas o curvadas con el lado curvado hacia fuera colocado contra el tope de inglete. Nunca coloque una pieza de trabajo de tal forma que exista un hueco vacío entre la pieza y los topes de inglete.

ADVERTENCIA

Riesgo de lesiones por colocación incorrecta de la pieza de trabajo. Una pieza de trabajo mal colocada puede ladearse contra la hoja de sierra y provocar un rebote.

- ▶ Coloque siempre la pieza de trabajo de tal forma que quede apoyada sobre el plato giratorio, los soportes y los topes de inglete con la mayor superficie de contacto posible.

ADVERTENCIA

Riesgo de lesiones por pieza de trabajo no asegurada. Si la pieza de trabajo no está correctamente fijada al tope de inglete, podría desplazarse durante el corte y causar daños en la hoja de sierra, lo que puede conllevar la pérdida de control y provocar que la pieza de trabajo salga disparada.

- ▶ La pieza de trabajo debe estar firmemente sujeta contra el plato giratorio y el tope de inglete con la abrazadera de tornillo durante todas las operaciones.

ADVERTENCIA

Riesgo de lesiones por contacto entre componentes de la sierra y la abrazadera de tornillo. La hoja de sierra puede resultar dañada si entra en contacto con la abrazadera de tornillo. La abrazadera de tornillo puede obstaculizar los dispositivos de seguridad y limitar su funcionalidad. Además, la abrazadera de tornillo también puede limitar los movimientos del cabezal de la sierra, lo que puede provocar un rebote.

- ▶ Con la sierra apagada, intente reproducir el movimiento deseado. Asegúrese de que ningún componente de la sierra entre en contacto con la abrazadera de tornillo.
- ▶ En caso necesario, desplace la abrazadera de tornillo a otro punto de la sierra.
- ▶ Pulse el botón de desbloqueo de la abrazadera de tornillo **(2)** y tire de la barra roscada hacia arriba hasta el tope.
- ▶ Introduzca la abrazadera de tornillo en una de las aberturas **(1)** previstas.
- ▶ Presione firmemente la pieza de trabajo hasta el tope de inglete inferior.
- ▶ Pulse el botón de desbloqueo de la abrazadera de tornillo para ajustar rápidamente la barra roscada a la pieza de trabajo **(2)**.
- ▶ Incline la abrazadera de tornillo hacia atrás, en contra de la posición de la barra roscada **(3)**. A continuación, gire la barra roscada en sentido horario para fijarla firmemente y así sujetar la pieza de trabajo **(4)**.
 - ▶ Para soltar la pieza de trabajo, gire la barra roscada en sentido antihorario. A continuación, pulse el botón de desbloqueo de la abrazadera de tornillo y tire de la barra roscada hacia arriba hasta el tope.

6.9 Ajuste de la velocidad

- ▶ Use la rueda de ajuste de velocidad para ajustar la velocidad deseada.



6.10 Conexión/desconexión

ADVERTENCIA

Riesgo de lesiones por rebote.

- ▶ Conecte la sierra solo mientras la hoja no toque la pieza de trabajo.

ADVERTENCIA

Riesgo de lesiones por rebote.

- ▶ Una vez desconectada la sierra, coloque el cabezal de la sierra en la posición más baja hasta que la hoja de sierra se haya detenido.

1. Presione y mantenga presionado el bloqueo de conexión.
2. Pulse y mantenga pulsado el interruptor de conexión y desconexión.
 - ▶ La sierra se pone en marcha.
3. Para desconectar la sierra, suelte el interruptor de conexión y desconexión.

6.11 Serrado

ADVERTENCIA

Riesgo de lesiones debido a una posición incorrecta de las manos y los brazos. Si el usuario se coloca de manera incorrecta, la hoja de sierra podría causarle lesiones graves en los brazos y las manos durante el manejo.

- ▶ No cruce nunca los brazos durante el serrado. No cruce nunca la línea de corte con la mano o con el brazo.
- ▶ Mantenga los brazos y las manos fuera de la zona de peligro marcada a la derecha y a la izquierda de la hoja de sierra.

Una posición correcta del cuerpo y de las manos al trabajar con la sierra ingletadora facilita el corte y aumenta su precisión y su seguridad.

Colóquese con ambos pies firmemente apoyados en el suelo y en buen equilibrio. Cuando mueva el brazo de la ingletadora a la izquierda y a la derecha, sigalo con el cuerpo y colóquese ligeramente a un lado de la hoja de sierra.

Mantenga completamente despejada la zona de peligro, 230 mm (9 pulg.) a la izquierda y 270 mm (10.4 pulg.) a la derecha de la hoja de sierra. Mantenga las manos, los brazos y otras partes del cuerpo lejos de esta zona de peligro.

Mantenga las manos en su posición hasta que se haya soltado el interruptor de conexión y desconexión y la hoja de sierra se haya detenido por completo.



Para efectuar el corte, presione el cabezal de la sierra hacia abajo suavemente y de manera controlada. Aplicar un exceso de presión o de fuerza a un lado de la línea de corte puede provocar vibraciones en la hoja de sierra, lo que puede dejar marcas de serrado adicionales en la pieza de trabajo y perjudicar la precisión del corte.

6.11.1 Serrado sin movimiento de empuje (corte transversal)

ADVERTENCIA

Riesgo de lesiones si la extensión no está bloqueada. Si la extensión no está bloqueada, el cabezal de la sierra puede deslizarse inesperadamente y provocar un rebote.

- ▶ Bloquee siempre la extensión al realizar cortes transversales.

1. Empuje el cabezal de la sierra hacia atrás, hasta el tope (alejándolo de usted).
2. Bloquee la extensión. → página 62
3. Ajuste la placa del tope de profundidad de forma que este pueda pasar por la abertura al bajar el cabezal de la sierra. → página 62
4. Adapte todos los ajustes de la sierra (ángulo, topes de inglete, superficies de apoyo) a los requisitos del corte que desee realizar.
5. Fije la pieza de trabajo. → página 64
6. Ponga en marcha la sierra. → página 65



7. Guíe lentamente hacia abajo el cabezal de la sierra y sierre la pieza de trabajo a una velocidad de avance constante.
8. Apague la sierra y espere hasta que la hoja se haya detenido por completo.
9. Vuelva a colocar el cabezal de la sierra en la posición superior.

6.11.2 Serrado con movimiento de empuje

ADVERTENCIA

Rebote por movimiento incorrecto del cabezal de la sierra. Un movimiento incorrecto del cabezal de la sierra durante un corte con movimiento de empuje puede provocar un rebote.

- ▶ Antes de cortar, debe extraer por completo el cabezal de la sierra; a continuación, bájelo y empújelo en la dirección de los topes de inglete.
- ▶ Nunca tire del cabezal de la sierra hacia usted cuando la hoja de sierra ya esté en la pieza de trabajo.



Al cortar con movimiento de empuje, empuje suavemente y sin detenerse el cabezal de la sierra hasta el tope de inglete. Si se interrumpe el movimiento de empuje durante el corte, la hoja de sierra puede dejar marcas en la pieza de trabajo y podrá verse afectada la precisión del corte.

1. Si es necesario, suelte la extensión. → página 62
2. Ajuste la placa del tope de profundidad de forma que este pueda pasar por la abertura al bajar el cabezal de la sierra. → página 62
3. Adapte todos los ajustes de la sierra (ángulo, topes de inglete, superficies de apoyo) a los requisitos del corte que desee realizar.
4. Fije la pieza de trabajo. → página 64
5. Tire completamente del cabezal de la sierra hacia usted.
6. Ponga en marcha la sierra. → página 65
7. Guíe lentamente el cabezal de la sierra hacia abajo.
8. Sujete el cabezal de la sierra en la posición más baja y empújelo lentamente hacia atrás (alejándolo de usted). Sierre la pieza de trabajo con un avance uniforme.
9. Apague la sierra y espere hasta que la hoja se haya detenido por completo.
10. Vuelva a colocar el cabezal de la sierra en la posición superior.

6.11.3 Serrado de ranuras

1. Ajuste el tope de profundidad a la profundidad de corte deseada. → página 62
2. Proceda con un corte con movimiento de empuje. → página 66

6.11.4 Serrado de perfiles

ADVERTENCIA

Riesgo de lesiones por sujeción incorrecta de la pieza de trabajo. Una pieza de trabajo mal sujeta puede ladearse contra la hoja de sierra y provocar un rebote.

- ▶ Al ajustar un perfil contra un tope de inglete, preste especial atención a que el perfil quede perfectamente fijado para evitar que se deslice. → página 64

Los perfiles pueden serrarse de dos maneras distintas:

- Apoyados contra el tope de inglete
- En posición horizontal sobre la mesa de serrado
- ▶ Proceda con el corte con o sin movimiento de empuje, en función de la anchura de los perfiles.
- ▶ Pruebe primero los ángulos de inglete horizontales o verticales ajustados en una pieza de madera que no se vaya a aprovechar.

7 Cuidado y mantenimiento

ADVERTENCIA

Riesgo de lesiones con la batería colocada !

- ▶ Extraiga siempre la batería antes de llevar a cabo tareas de cuidado y mantenimiento.



Cuidado del producto

- Elimine con precaución la suciedad fuertemente adherida.
- Limpie cuidadosamente las rejillas de ventilación con un cepillo seco y suave.
- Limpie la carcasa solo con un paño ligeramente humedecido. No utilice productos de limpieza que contengan silicona, ya que podrían dañar las piezas de plástico.
- Utilice un paño limpio y seco para limpiar los contactos del producto.
- Limpie periódicamente las varillas de deslizamiento de la extensión y de los soportes adicionales. Después de cada limpieza, aplique unas gotas de aceite en todas las varillas de deslizamiento.
- Limpie periódicamente las superficies de contacto de los topes de inglete superiores. Si es necesario, engrase de nuevo las superficies de contacto.

Cuidado de las baterías de Ion-Litio

- No utilice nunca una batería con las rejillas de ventilación obstruidas. Limpie cuidadosamente las rejillas de ventilación con un cepillo seco y suave.
- Evite la exposición innecesaria de la batería al polvo o la suciedad. No exponga nunca la batería a altos niveles de humedad (por ejemplo, sumergiéndola en agua o dejándola bajo la lluvia). Si penetra agua en la batería, trátela como una batería dañada. Aíslela en un recipiente no inflamable y póngase en contacto con el Servicio Técnico de **Hilti**.
- Mantenga la batería limpia de aceite o grasa. No permita la acumulación innecesaria de polvo o suciedad en la batería. Limpie la batería con un cepillo seco y suave o con un paño limpio y seco. No utilice productos de limpieza que contengan silicona, ya que podrían dañar las piezas de plástico.
- No toque los contactos de la batería y no elimine de los contactos la grasa aplicada de fábrica.
- Limpie la carcasa solo con un paño ligeramente humedecido. No utilice productos de limpieza que contengan silicona, ya que podrían dañar las piezas de plástico.

Mantenimiento

- Compruebe con regularidad que las piezas visibles no estén dañadas y los elementos de manejo funcionen correctamente.
- No utilice el producto si presenta daños o fallos que afecten al funcionamiento. Encargue inmediatamente la reparación del producto al Servicio Técnico de **Hilti**.
- Tras las tareas de cuidado y mantenimiento, coloque todos los dispositivos de protección y asegúrese de que funcionen correctamente.



Para garantizar un correcto funcionamiento, utilice exclusivamente piezas de repuesto y consumibles originales. Las piezas de repuesto, los consumibles y los accesorios autorizados por **Hilti** se pueden consultar en su **Hilti Store** o en: www.hilti.group

7.1 Limpieza del dispositivo de protección

1. Desmonte la hoja de sierra. → página 61
2. Limpie cuidadosamente los dispositivos de protección con un cepillo seco.
3. Elimine los sedimentos y virutas acumulados en el interior de los dispositivos de protección con la herramienta adecuada.
4. Coloque la hoja de sierra. → página 61

7.2 Limpieza del adaptador de aspiración y el tubo de conexión

1. Retire el saco para polvo o la manguera de aspiración conectada del extractor de polvo.
2. Afloje el tornillo de fijación del tubo de conexión en el cabezal de la sierra **(1)**.
3. Desconecte el tubo de conexión del cabezal de la sierra **(2)** y del adaptador de aspiración.
4. Vacíe el tubo de conexión y límpielo con un cepillo seco.
5. Limpie el canal de virutas del cabezal de la sierra y el adaptador de aspiración con un cepillo seco.
6. Vuelva a conectar el tubo de conexión al adaptador de aspiración y al cabezal de la sierra.
7. Apriete el tornillo de fijación del tubo de conexión en el cabezal de la sierra.
8. Vuelva a montar el saco para polvo o a conectar el extractor de polvo. → página 61

7.3 Vaciado del saco para polvo

1. Extraiga el saco para polvo del adaptador de aspiración.
2. Abra la cremallera del saco para polvo y deseche correctamente sus contenidos.
3. Cierre la cremallera del saco para polvo.



4. Vuelva a montar el saco para polvo en el adaptador de aspiración. → página 61

7.4 Comprobación y configuración de ajustes e indicaciones

La sierra ingletadora viene cuidadosamente ajustada y configurada de fábrica. Sin embargo, después de un uso intensivo o un manejo brusco, puede ser necesario comprobar los ajustes e indicadores de la sierra y ajustarlos, dado el caso.

Se requieren herramientas especiales y un cierto grado de experiencia para comprobar y ajustar la sierra.

Hilti recomienda dejar el ajuste de la sierra únicamente en manos del Servicio Técnico de **Hilti**.



Durante los trabajos de comprobación y ajuste, no toque nunca las puntas de los dientes de la sierra con el calibrador angular; esto podría dar lugar a mediciones erróneas. El calibrador angular siempre debe estar alineado con el disco base.

7.4.1 Comprobación del ángulo de inglete vertical

1. Empuje el cabezal de la sierra hacia atrás, hasta el tope (alejándolo de usted).
2. Ajuste la placa del tope de profundidad de forma que este pueda pasar por la abertura al bajar el cabezal de la sierra. → página 62
3. Coloque el ángulo de inglete horizontal en la posición de 0°.
4. Presione el cabezal de la sierra hacia abajo y empuje el seguro de transporte para bloquearlo.
5. Coloque el ángulo de inglete vertical en la posición de 0°.
6. Coloque un calibrador angular en la posición de 90°.
7. Coloque el calibrador angular en vertical y enrasado con la mesa de serrado.
8. Desplace el calibrador angular por la hoja de sierra.
 - ▶ El calibrador angular debe estar enrasado con la hoja de sierra en toda la línea.
9. Coloque el ángulo de inglete vertical en la posición de 45° a la derecha.
10. Ajuste el calibrador angular a 45° (alternativamente, 135° si se mide el lado derecho).
11. Coloque el calibrador angular en vertical y enrasado con la mesa de serrado.
12. Desplace el calibrador angular por la hoja de sierra.
 - ▶ El calibrador angular debe estar enrasado con la hoja de sierra en toda la línea.
13. Repita los pasos para el ángulo de inglete vertical de 45° a la izquierda.

Resultado 1 / 2

El calibrador angular está enrasado con la hoja de sierra en toda la línea, en todas las mediciones.

- ▶ La sierra se ha ajustado correctamente.

Resultado 2 / 2

El calibrador angular y la hoja de sierra no están enrasados en una o varias mediciones.

- ▶ Póngase en contacto con el Servicio Técnico de **Hilti**.

7.4.2 Ajuste del indicador del ángulo de inglete vertical **19**

1. Compruebe el que el ángulo de inglete vertical esté ajustado con precisión exacta. → página 68
2. Coloque el ángulo de inglete vertical en la posición de 0°.
3. Afloje el tornillo de fijación de un indicador de ángulo de inglete vertical y ajústelo exactamente a la indicación de 0°.
4. Vuelva a apretar el tornillo de fijación a mano. Al hacerlo, sujete el indicador firmemente en la posición exacta de 0°.
5. Si es necesario, repita el proceso para ajustar el segundo indicador del ángulo de inglete vertical.
6. Compruebe que coincidan el ángulo de inglete vertical real y los dos indicadores de los ángulos (45° a la derecha y 45° a la izquierda).
 - ▶ Si, durante la comprobación, se constata que alguno de los indicadores no coinciden con los ángulos reales en uno o varios puntos y no es posible ajustarlos correctamente, póngase en contacto con el Servicio Técnico de **Hilti**.

7.4.3 Comprobación del ángulo de inglete horizontal

1. Empuje el cabezal de la sierra hacia atrás, hasta el tope (alejándolo de usted).
2. Ajuste la placa del tope de profundidad de forma que este pueda pasar por la abertura al bajar el cabezal de la sierra. → página 62
3. Coloque el ángulo de inglete vertical en la posición de 0°.
4. Presione el cabezal de la sierra hacia abajo y empuje el seguro de transporte para bloquearlo.



5. Coloque el ángulo de inglete horizontal en la posición de 0°.
6. Coloque un calibrador angular en la posición de 90°.
7. Coloque el calibrador angular en posición plana sobre la mesa de serrado y a ras del tope de inglete.
8. Desplace el calibrador angular por la hoja de sierra.
 - ▶ El calibrador angular debe estar enrasado con la hoja de sierra en toda la línea.
9. Coloque el ángulo de inglete horizontal en la posición de 45° a la derecha.
10. Ajuste el calibrador angular a 45° (alternativamente, 135° si se mide el lado derecho).
11. Coloque el calibrador angular en posición plana sobre la mesa de serrado y a ras del tope de inglete.
12. Desplace el calibrador angular por la hoja de sierra.
 - ▶ El calibrador angular debe estar enrasado con la hoja de sierra en toda la línea.
13. Repita los pasos para el ángulo de inglete horizontal de 45° a la izquierda.

Resultado 1 / 2

El calibrador angular está enrasado con la hoja de sierra en toda la línea, en todas las mediciones.

- ▶ La sierra se ha ajustado correctamente.

Resultado 2 / 2

El calibrador angular y la hoja de sierra no están enrasados en una o varias mediciones.

- ▶ Ajuste el ángulo de inglete horizontal o póngase en contacto con el Servicio Técnico de **Hilti**.
→ página 69

7.4.4 Ajuste del ángulo de inglete horizontal y la escala 20

1. Encaje el plato giratorio en la posición de 0°.
2. Suelte el pomo de bloqueo del plato giratorio.
3. Afloje los cuatro tornillos de fijación de la escala del ángulo de inglete horizontal.
4. Coloque un calibrador angular en la posición de 90°.
5. Coloque el calibrador angular en posición plana sobre la mesa de serrado y a ras del tope de inglete.
6. Desplace el calibrador angular por la hoja de sierra. Con ayuda del calibrador angular, ajuste el plato giratorio, incluida la escala del ángulo de inglete horizontal.
 - ▶ El calibrador angular debe estar enrasado con la hoja de sierra en toda la línea.
7. Apriete el pomo de bloqueo del plato giratorio para evitar que se mueva.
8. Apriete los cuatro tornillos de fijación de la escala del ángulo de inglete horizontal.
9. Compruebe los ángulos de inglete horizontales de 45° a la derecha y 45° a la izquierda. → página 68

Resultado 1 / 2

En los ángulos de inglete horizontal de 45° a la derecha y 45° a la izquierda, el calibrador angular está enrasado con la hoja de sierra en toda la línea.

- ▶ La sierra se ha ajustado correctamente.

Resultado 2 / 2

El calibrador angular y la hoja de sierra no están enrasados en una o varias mediciones.

- ▶ Póngase en contacto con el Servicio Técnico de **Hilti**.

7.4.5 Ajuste del indicador del ángulo de inglete horizontal 21

1. Compruebe el que el ángulo de inglete horizontal esté ajustado con precisión exacta. → página 68
2. Si es necesario, reajuste el ángulo de inglete horizontal. → página 69
3. Coloque el ángulo de inglete horizontal en la posición de 0°.
4. Afloje el tornillo de fijación de un indicador de ángulo de inglete horizontal y ajústelo exactamente a la indicación de 0°.
5. Vuelva a apretar el tornillo de fijación a mano. Al hacerlo, sujete el indicador firmemente en la posición exacta de 0°.
6. Si es necesario, repita el proceso para ajustar el segundo indicador del ángulo de inglete horizontal.
7. Compruebe que coincidan el ángulo de inglete horizontal real y los dos indicadores de los ángulos (45° a la derecha y 45° a la izquierda).
 - ▶ Si, durante la comprobación, se constata que alguno de los indicadores no coinciden con los ángulos reales en uno o varios puntos y no es posible ajustarlos correctamente, póngase en contacto con el Servicio Técnico de **Hilti**.



7.5 Sustitución del colector de polvo 22

ADVERTENCIA

Un montaje inadecuado del deflector puede entrañar riesgo de lesiones. Si un deflector se monta al revés, la hoja de sierra podría atascarse. Podrían romperse el deflector o la hoja de sierra y podrían salir despedidas las piezas sueltas.

▶ Asegúrese de colocar correctamente el deflector al montarlo. La parte accionada por resorte del deflector debe apuntar en dirección opuesta a la hoja de sierra.

1. Afloje los tornillos de fijación **(1)** de un lado y retire el deflector **(3)**.
2. Afloje los tornillos de fijación del lado opuesto y retire el segundo deflector y el colector de polvo **(2)**.
3. Instale el colector de polvo nuevo **(2)** y un deflector **(3)**.
 - ▶ Preste especial atención a que el deflector esté correctamente colocado.
4. Atornille los dos componentes con los tornillos de fijación.
5. Atornille el segundo deflector y el colector de polvo en el lado opuesto.
 - ▶ Preste especial atención a que el deflector esté correctamente colocado.
 - ▶ Compruebe que el colector de polvo y los dos deflectores estén bien colocados.

7.6 Sustitución de placas ranuradas 23

Las placas ranuradas vienen ajustadas de fábrica para que no entren en contacto con la hoja de sierra. Sin embargo, están sometidas a un cierto desgaste. **Hilti** ofrece las placas ranuradas como piezas de repuesto. El usuario puede sustituirlas de forma rápida y fácil.

1. Abra todos los tornillos de fijación de las placas ranuradas y deseche las placas desgastadas.
2. Coloque las placas ranuradas nuevas.
3. Coloque los tornillos de fijación sin apretarlos, de forma que todavía se puedan mover las placas ranuradas.
4. Ajuste la posición de las placas ranuradas de modo que la hoja de sierra no entre en contacto con ellas.
 - ▶ Compruebe especialmente los ángulos de inglete verticales máximos a la derecha y a la izquierda.
 - ▶ Compruebe también todos los demás ángulos de inglete horizontales y verticales.
5. Después del ajuste, apriete a mano todos los tornillos de fijación.

8 Transporte y almacenamiento de las baterías y sus herramientas 24, 25

Transporte de la sierra ingletadora

Antes de transportar la sierra, proceda como se indica a continuación:

- ▶ Empuje el cabezal de la sierra hacia atrás, hasta el tope (alejándolo de usted).
- ▶ Bloquee la extensión. → página 62
- ▶ Ajuste la placa del tope de profundidad de forma que este pueda pasar por la abertura al bajar el cabezal de la sierra. → página 62
- ▶ Coloque el ángulo de inglete vertical en la posición de 0°.
- ▶ Presione el cabezal de la sierra hacia abajo y empuje el seguro de transporte para bloquearlo.
- ▶ Si es necesario, empuje los soportes adicionales hasta el fondo. → página 62
- ▶ Ajuste el ángulo de inglete horizontal a la derecha (60°) hasta el tope y acople el plato giratorio.
- ▶ Retire todos los accesorios (por ejemplo, la abrazadera de tornillo) que no puedan fijarse firmemente a la sierra.
- ▶ En caso necesario, retire el pomo de bloqueo y sujételo en uno de los soportes situados en la parte posterior del tope de inglete superior.

Para transportar la sierra, sujétela únicamente por los puntos previstos para tal fin:

- Cavidades de agarre bajo los soportes adicionales **(1)**
- Cavidad de agarre en la parte trasera junto al aspirador de polvo **(2)**
- Empuñadura en el cabezal de la sierra **(3)**

Transporte de baterías

PRECAUCIÓN

Arranque involuntario en el transporte !

- ▶ Transporte sus productos siempre sin batería.



- ▶ Extraiga la(s) batería(s).
- ▶ Nunca transporte las baterías sin embalaje. Durante el transporte, las baterías deben estar protegidas frente a vibraciones y golpes excesivos y aisladas de todo material conductor y de otras baterías para que no entren en contacto con los polos de otras baterías y causen un cortocircuito. **Tenga en cuenta las normativas locales sobre el transporte de baterías.**
- ▶ Las baterías no deben enviarse por correo. Diríjase a una empresa de transporte si quiere enviar baterías no dañadas.
- ▶ Compruebe si el producto o las baterías están dañados antes de cada uso y antes y después de un transporte prolongado.

Almacenamiento

ADVERTENCIA

Daños imprevistos debido a una batería defectuosa o agotada !

- ▶ Guarde su productos siempre sin batería.
- ▶ Guarde el producto y las baterías en un lugar fresco y seco. Tenga en cuenta los valores límite de temperatura que figuran en los datos técnicos.
- ▶ No almacene las baterías en el cargador. Extraiga siempre la batería del cargador después del proceso de carga.
- ▶ No guarde nunca las baterías en un lugar expuesto al sol, a fuentes de calor o detrás de un cristal.
- ▶ Guarde el producto y las baterías fuera del alcance de niños y personas no autorizadas.
- ▶ Compruebe si el producto o las baterías están dañados antes de cada uso y antes y después de un almacenamiento prolongado.

9 Ayuda en caso de averías

En caso de producirse una avería, compruebe el indicador de estado de la batería. Véase el capítulo **Mostrar la batería de Ion-Litio**.

Si se producen averías que no estén incluidas en esta tabla o que no pueda solucionar usted, diríjase al Servicio Técnico de **Hilti**.

Anomalía	Posible causa	Solución
La velocidad desciende de forma brusca.	La batería está descargada.	▶ Cargue la batería.
	La potencia de avance es demasiado elevada.	▶ Reduzca la potencia de avance y vuelva a conectar el producto.
Detenga la hoja de sierra.	La potencia de avance es demasiado elevada.	▶ Reduzca la potencia de avance y vuelva a conectar el producto.
Sin función de frenado del motor.	La batería está descargada.	▶ Cargue la batería.
Los ángulos de corte no son exactos.	La precisión angular, las escalas o los indicadores están desajustados.	<ul style="list-style-type: none"> ▶ Compruebe y adapte los ajustes y las indicaciones. → página 68 ▶ Si no puede configurar algún ajuste por sus propios medios o se constatan desviaciones muy acusadas de la precisión de la sierra, póngase en contacto con el Servicio Técnico de Hilti.
Los LED de la batería no emiten ninguna indicación	La batería está defectuosa	▶ Póngase en contacto con el Servicio Técnico de Hilti .


10 Reciclaje

ADVERTENCIA

Riesgo de lesiones por un reciclaje indebido. Riesgo para la salud debido a escapes de gases o líquidos.

- ▶ No envíe baterías dañadas bajo ningún concepto.
- ▶ Cubra las conexiones con un material no conductor para evitar cortocircuitos.
- ▶ Deshágase de las baterías de tal forma que no terminen en manos de niños.
- ▶ Elimine la batería en su **Hilti Store** o diríjase a su empresa de desechos.



 Los productos **Hilti** están fabricados en su mayor parte con materiales reutilizables. La condición para dicha reutilización es una separación adecuada de los materiales. En muchos países, **Hilti** recoge las herramientas usadas para su recuperación. Pregunte al Servicio de Atención al Cliente de **Hilti** o a su asesor de ventas.



- ▶ No deseche las herramientas eléctricas, los aparatos eléctricos ni las baterías junto con los residuos domésticos.

11 Garantía del fabricante

- ▶ Si tiene alguna consulta acerca de las condiciones de la garantía, póngase en contacto con su sucursal local de **Hilti**.

12 Más información


Encontrará información adicional sobre manejo, técnica, medioambiente y reciclaje en el siguiente enlace: qr.hilti.com/manual/?id=2395173

Encontrará este enlace también al final del manual de instrucciones como código QR.

Manual de instruções original

1 Indicações sobre o Manual de instruções

1.1 Relativamente a este Manual de instruções

- Aviso! Antes de utilizar o produto, certifique-se de que leu e compreendeu o Manual de instruções fornecido com o produto incluindo as instruções, instruções de segurança e advertências, figuras e especificações. Familiarize-se sobretudo com todas as instruções, instruções de segurança e advertências, figuras, especificações, bem como com componentes e funções. Em caso de incumprimento existe perigo de choque eléctrico, incêndio e/ou ferimentos graves. Guarde o Manual de instruções incluindo todas as instruções, instruções de segurança e advertências para utilização posterior.
- O Manual de instruções fornecido corresponde ao actual avanço tecnológico no momento da impressão. Encontra a versão actual sempre online, na página de produtos Hilti. Para o efeito, siga a hiperligação ou o código QR neste Manual de instruções, identificado com o símbolo .
- Entregue o produto a outras pessoas apenas juntamente com o Manual de instruções.

1.2 Explicação dos símbolos

1.2.1 Advertências

As advertências alertam para perigos durante a utilização do produto. São utilizadas as seguintes palavras de aviso:

PERIGO

PERIGO !

- ▶ Indica perigo iminente que pode originar acidentes pessoais graves ou até mesmo fatais.

AVISO

AVISO !

- ▶ Indica um possível perigo que pode causar graves ferimentos pessoais, até mesmo fatais.

CUIDADO

CUIDADO !

- ▶ Indica uma situação potencialmente perigosa que pode originar ferimentos corporais ou danos materiais.

1.2.2 Símbolos no manual de instruções

Neste manual de instruções são utilizados os seguintes símbolos:



	Consultar o manual de instruções
	Instruções de utilização e outras informações úteis
	Manuseamento com materiais recicláveis
	Não deitar as ferramentas eléctricas e baterias no lixo doméstico
	Bateria de íões de lítio Hilti
	Carregador Hilti

1.2.3 Símbolos nas figuras

Em figuras são utilizados os seguintes símbolos:

	Estes números remetem para a figura respectiva no início do presente manual de instruções.
3	A numeração nas imagens indica passos de trabalho importantes ou componentes importantes para os passos de trabalho. No texto, estes passos de trabalho ou componentes são realçados com os respectivos números, p. ex. (3) .
	Na figura Vista geral são utilizados números de posição que fazem referência aos números da legenda na secção Vista geral do produto .
	Este símbolo pretende despertar a sua atenção durante o manuseamento do produto.

1.3 Símbolos dependentes do produto

1.3.1 Símbolos gerais

Símbolos que são utilizados em associação com o produto.

	O produto suporta a tecnologia NFC que é compatível com plataformas iOS e Android.
	Corrente contínua
n_0	Velocidade nominal de rotação sem carga
\varnothing	Diâmetro
	Dimensões da lâmina de serra
	Não olhar para a fonte de luz.
Li-Ion	Bateria de íões de lítio
	Nunca bata com um objecto na bateria nem utilize a bateria como ferramenta de percussão.
	Não deixe cair a bateria. Não utilize baterias que tenham recebido uma pancada ou que estejam, de outra forma, danificadas.
	Série utilizada da bateria de íões de lítio Hilti . Tenha em atenção as indicações no capítulo Utilização conforme a finalidade projectada .
	Se existente no produto, isso significa que o produto foi certificado por este organismo de certificação para o mercado americano e canadiano de acordo com as normas em vigor.

1.3.2 Sinais de proibição

Sinais de proibição apontam para ações proibidas.

	Zona de perigo! Mantenha as mãos, dedos e braços afastados desta zona.
--	--



1.3.3 Sinais de obrigação

Sinais de obrigação apontam para acções obrigatórias.

	Usar protecção auricular
	Utilizar óculos de protecção

1.4 Dados informativos sobre o produto

Os produtos **HILTI** destinam-se ao utilizador profissional e só podem ser operados, mantidos e reparados por pessoal autorizado, devidamente qualificado. Estas pessoas deverão estar informadas em particular sobre os potenciais perigos. O produto e seu equipamento auxiliar podem representar perigo se usados incorretamente por pessoas não qualificadas ou se usados para fins diferentes daqueles para os quais foram concebidos.

A designação e o número de série são indicados na placa de características.

- ▶ Registe o número de série na tabela seguinte. Precisa dos dados do produto para colocar questões ao nosso representante ou posto de serviço de atendimento aos clientes.

Dados do produto

Serra de chanfros em meia esquadria de bateria	SM 60-22
Geração	01
N.º de série	

2 Segurança

2.1 Normas de segurança gerais para ferramentas eléctricas

⚠ AVISO Leia todas as normas de segurança, instruções, imagens e dados técnicos, com os quais esta ferramenta eléctrica está equipada. O não cumprimento das instruções a seguir pode resultar em choque eléctrico, incêndio e/ou ferimentos graves.

Guarde bem todas as normas de segurança e instruções para futura referência.

O termo “ferramenta eléctrica” utilizado nas normas de segurança refere-se a ferramentas com ligação à corrente eléctrica (com cabo de alimentação) ou a ferramentas a bateria (sem cabo).

Segurança no posto de trabalho

- ▶ **Mantenha a sua área de trabalho limpa e bem iluminada.** Locais desarrumados ou mal iluminados podem ocasionar acidentes.
- ▶ **Não utilize a ferramenta eléctrica em ambientes explosivos ou na proximidade de líquidos ou gases inflamáveis.** Ferramentas eléctricas produzem faíscas que podem provocar a ignição de pó e vapores.
- ▶ **Mantenha crianças e terceiros afastados durante os trabalhos.** Distracções podem conduzir à perda de controlo sobre a ferramenta.

Segurança eléctrica

- ▶ **A ficha da ferramenta eléctrica deve servir na tomada. A ficha não deve ser modificada de modo algum. Não utilize quaisquer adaptadores com ferramentas eléctricas com ligação terra.** Fichas originais (não modificadas) e tomadas adequadas reduzem o risco de choque eléctrico.
- ▶ **Evite o contacto do corpo com superfícies ligadas à terra, como, por exemplo, canos, radiadores, fogões e frigoríficos.** Existe um risco elevado de choque eléctrico se o corpo estiver com ligação à terra.
- ▶ **As ferramentas eléctricas não devem ser expostas à chuva nem à humidade.** A infiltração de água numa ferramenta eléctrica aumenta o risco de choque eléctrico.
- ▶ **Não use o cabo de ligação para transportar, pendurar ou desligar a ferramenta eléctrica da tomada. Mantenha o cabo de ligação afastado de calor, óleo, arestas vivas ou partes em movimento.** Cabos de ligação danificados ou emaranhados aumentam o risco de choque eléctrico.
- ▶ **Quando operar uma ferramenta eléctrica ao ar livre, utilize apenas cabos de extensão próprios para utilização no exterior.** A utilização de um cabo de extensão próprio para utilização no exterior reduz o risco de choques eléctricos.
- ▶ **Utilize um disjuntor diferencial se não puder ser evitada a utilização da ferramenta eléctrica em ambiente húmido.** A utilização de um disjuntor diferencial reduz o risco de choque eléctrico.



Segurança física

- ▶ **Esteja alerta, observe o que está a fazer, e tenha prudência ao trabalhar com uma ferramenta eléctrica.** Se estiver cansado ou sob influência de drogas, álcool ou medicamentos não efectue nenhum trabalho com ferramentas eléctricas. Um momento de distração ao operar a ferramenta eléctrica pode causar ferimentos graves.
- ▶ **Use equipamento de segurança. Use sempre óculos de protecção.** Equipamento de segurança, como, por exemplo, máscara antipoeiras, sapatos de segurança antiderrapantes, capacete de segurança ou protecção auricular, de acordo com o tipo e aplicação da ferramenta eléctrica, reduzem o risco de lesões.
- ▶ **Evite um arranque involuntário. Assegure-se de que a ferramenta eléctrica está desligada antes de a ligar à fonte de alimentação e/ou à bateria, pegar nela ou a transportar.** Transportar a ferramenta eléctrica com o dedo no interruptor ou ligar uma ferramenta à tomada com o interruptor ligado (ON) pode resultar em acidentes.
- ▶ **Remova quaisquer chaves de ajuste (chaves de fenda), antes de ligar a ferramenta eléctrica.** Um acessório ou chave deixado preso numa parte rotativa da ferramenta pode causar ferimentos.
- ▶ **Evite posturas corporais desfavoráveis. Mantenha sempre uma posição correcta, em perfeito equilíbrio.** Desta forma será mais fácil manter o controlo sobre a ferramenta eléctrica em situações inesperadas.
- ▶ **Use roupa apropriada. Não use roupa larga ou jóias. Mantenha o cabelo, vestuário e luvas afastados das peças móveis.** Roupas largas, jóias ou cabelos compridos podem ficar presos nas peças móveis.
- ▶ **Se poderem ser montados sistemas de remoção e de recolha de pó, assegure-se de que estes estão ligados e são utilizados correctamente.** A utilização de um sistema de remoção de pó pode reduzir os perigos relacionados com a exposição ao mesmo.
- ▶ **Não se acomode numa falsa sensação de segurança e não ignore os regulamentos de segurança para ferramentas eléctricas, mesmo se estiver familiarizado com a ferramenta eléctrica após numerosas utilizações.** Agir de forma descuidada pode causar ferimentos graves dentro duma fracção de segundo.

Utilização e manuseamento da ferramenta eléctrica

- ▶ **Não sobrecarregue a ferramenta. Use para o seu trabalho a ferramenta eléctrica correcta.** Com a ferramenta eléctrica adequada obterá maior eficiência e segurança se respeitar os seus limites.
- ▶ **Não utilize a ferramenta eléctrica se o interruptor estiver defeituoso.** Uma ferramenta eléctrica que já não possa ser accionada pelo interruptor é perigosa e deve ser reparada.
- ▶ **Retire a ficha da tomada e/ou remova uma bateria amovível antes de efectuar ajustes na ferramenta, substituir acessórios ou guardar a ferramenta.** Esta medida preventiva evita o accionamento accidental da ferramenta eléctrica.
- ▶ **Guarde ferramentas eléctricas não utilizadas fora do alcance das crianças. Não permita que a ferramenta seja utilizada por pessoas não familiarizadas com a mesma ou que não tenham lido estas instruções.** Ferramentas eléctricas operadas por pessoas não treinadas são perigosas.
- ▶ **Faça uma manutenção regular de ferramentas eléctricas e acessórios. Verifique se as partes móveis funcionam perfeitamente e não emperram ou se há peças quebradas ou danificadas que possam influenciar o funcionamento da ferramenta eléctrica. Peças danificadas devem ser reparadas antes da utilização da ferramenta.** Muitos acidentes são causados por ferramentas eléctricas com manutenção deficiente.
- ▶ **Mantenha as ferramentas de corte sempre afiadas e limpas.** Acessórios com gumes afiados tratados correctamente emperram menos e são mais fáceis de controlar.
- ▶ **Utilize a ferramenta eléctrica, acessórios, bits, etc., de acordo com estas instruções. Tome também em consideração as condições de trabalho e o trabalho a ser efectuado.** A utilização da ferramenta eléctrica para outros fins além dos previstos, pode ocasionar situações de perigo.
- ▶ **Mantenha punhos e respectivas superfícies secos, limpos e isentos de óleo e gordura.** Punhos e superfícies afins escorregadios não permitem um manuseamento e controlo seguro da ferramenta eléctrica em situações imprevistas.

Utilização e manuseamento da ferramenta a bateria

- ▶ **Apenas deverá carregar as baterias em carregadores recomendados pelo fabricante.** Num carregador adequado para um determinado tipo de baterias existe perigo de incêndio se for utilizado para outras baterias.
- ▶ **Nas ferramentas eléctricas utilize apenas as baterias previstas.** A utilização de outras baterias pode causar ferimentos e riscos de incêndio.
- ▶ **Quando a bateria não estiver em uso, mantenha-a afastada de outros objectos de metal, como, por exemplo, cliques, moedas, chaves, pregos, parafusos, ou outros pequenos objectos metálicos**



que possam ligar em ponte os contactos. Um curto-circuito entre os contactos da bateria pode causar queimaduras ou incêndio.

- ▶ **Utilizações inadequadas podem provocar derrame do líquido da bateria. Evite o contacto com este líquido. No caso de contacto accidental, enxágue imediatamente com água. Se o líquido entrar em contacto com os olhos, procure auxílio médico.** O líquido que escorre da bateria pode provocar irritações ou queimaduras da pele.
- ▶ **Não utilize uma bateria danificada ou modificada.** Baterias danificadas ou modificadas podem ter um comportamento imprevisível e causar fogo, explosão ou risco de ferimentos.
- ▶ **Não exponha uma bateria ao fogo ou a temperaturas excessivas.** Fogo e temperaturas superiores a 130 °C (265 °F) podem provocar uma explosão.
- ▶ **Cumpra todas as instruções sobre o carregamento e nunca carregue a bateria ou a ferramenta a bateria fora da faixa de temperaturas indicada no manual de instruções.** O carregamento errado ou fora da faixa de temperaturas permitida pode destruir a bateria e aumentar o risco de incêndio.

Manutenção

- ▶ **A sua ferramenta eléctrica só deve ser reparada por pessoal qualificado e só devem ser utilizadas peças sobressalentes originais.** Isto assegurará que a segurança da ferramenta se mantenha.
- ▶ **Nunca faça a manutenção de baterias danificadas.** Qualquer manutenção de baterias só deverá ser realizada pelo fabricante ou serviços de assistência técnica autorizados.

2.2 Indicações de segurança para serras de chanfros em meia esquadria

- ▶ **As serras de chanfros em meia esquadria foram concebidas para cortar madeira ou produtos semelhantes à madeira, não podem ser utilizadas para cortar materiais ferrosos, tais como, barras, hastes, parafusos, etc.** Pó abrasivo dá origem ao bloqueio de peças móveis, tais como, o resguardo inferior. Faiscas de corte queimam o resguardo inferior, a placa de inserção e outras peças de plástico.
- ▶ **Se possível, fixe a peça a trabalhar com sargentos. Se segurar a peça a trabalhar com a mão, deve manter a sua mão sempre, no mínimo a uma distância de 100 mm (4 in) relativamente a cada lado da lâmina de serra. Não utilize esta serra para cortar peças que são demasiado pequenas para serem presas ou seguradas com a mão.** Se a sua mão estiver demasiado próxima da lâmina de serra, existe um elevado risco de ferimento devido a contacto com a lâmina de serra.
- ▶ **A peça a trabalhar deve estar imóvel e ser presa ou pressionada contra o batente e a bancada. Não empurre a peça para a lâmina de serra e nunca corte "livremente".** Peças a trabalhar soltas ou a mover-se podem ser projetadas para fora a elevada velocidade e dar origem a ferimentos.
- ▶ **Empurre a serra através da peça a trabalhar. Evite puxar a serra através da peça a trabalhar. Para efetuar um corte, levante a cabeça da serra e puxe-se sobre a peça a trabalhar, sem a cortar. Em seguida, ligue o motor, bascule a cabeça da serra para baixo e pressione a serra através da peça a trabalhar.** Se cortar puxando a serra existe o risco de a lâmina de serra subir na peça a trabalhar e de a unidade da lâmina de serra ser projetada com violência em direção ao operador.
- ▶ **Nunca cruze a mão sobre a linha de corte prevista, nem à frente nem atrás da lâmina de serra.** Apoiar a peça a trabalhar com as "mãos cruzadas", ou seja, segurar a peça do lado direito da lâmina de serra com a mão esquerda ou vice-versa é muito perigoso.
- ▶ **Com a lâmina de serra em rotação não agarre atrás do batente. Nunca mantenha uma distância de segurança inferior a 100 mm (4 in) entre a mão e a lâmina de serra em rotação (válido de ambos os lados da lâmina de serra, p. ex., ao remover resíduos de madeira).** É possível que a proximidade da lâmina de serra em rotação relativamente à sua mão não seja visível e poderá ser gravemente ferido.
- ▶ **Verifique a peça a trabalhar antes de efetuar o corte. Se a peça a trabalhar estiver curvada ou deformada, prenda-a com o lado curvado para fora em direção ao batente. Garanta sempre que, ao longo da linha de corte, não existe nenhuma fenda entre a peça a trabalhar, o batente e a bancada.** Peças a trabalhar curvadas ou deformadas podem girar ou deslocar-se e causar um prendimento da lâmina de serra em rotação durante o corte. Não devem existir pregos ou objectos estranhos na peça a trabalhar.
- ▶ **Utilize a serra apenas quando não existirem ferramentas, resíduos de madeira, etc. na bancada; na bancada apenas deve estar a peça a trabalhar.** Pequenos resíduos, bocados de madeira soltos ou outros objetos que entrem em contacto com a lâmina em rotação podem ser projetados a uma velocidade muito elevada.
- ▶ **Corte apenas uma peça respetivamente.** Várias peças empilhadas não se deixam prender ou fixar de forma adequada e podem originar um prendimento da lâmina ao serrar ou podem escorregar.
- ▶ **Antes de usar a serra de chanfros em meia esquadria certifique-se que esta se encontrar sobre uma superfície de trabalho plana e firme.** Uma superfície de trabalho plana e firme reduz o risco de a serra de chanfros em meia esquadria se tornar instável.



- ▶ **Planeie o seu trabalho. Cada vez que ajustar a inclinação da lâmina de serra ou o ângulo de meia esquadria, certifique-se que o batente ajustável está ajustado corretamente e a peça a trabalhar está apoiada, sem entrar em contacto com a lâmina ou o resguardo.** Sem ligar a máquina e sem peça a trabalhar sobre a bancada deve simular-se um movimento de corte completo da lâmina de serra, de modo a garantir que não vão existir obstáculos ou o risco de cortar no batente.
- ▶ **Em peças a trabalhar mais largas ou mais compridas que o lado de cima da bancada, assegure um apoio adequado, p.ex., através de prolongamentos da bancada ou cavaletes para serrar.** Peças a trabalhar que sejam mais compridas ou mais largas do que a bancada da serra de chanfros em meia esquadria podem tombar, caso não sejam apoiadas firmemente. Se um bocado de madeira cortada ou a peça a trabalhar tombar, poderá levantar o resguardo inferior ou ser projetada de forma descontrolada pela lâmina em rotação.
- ▶ **Não deve recorrer a outras pessoas como substituição de um prolongamento de bancada ou para fornecer um apoio adicional.** Um apoio instável da peça a trabalhar pode originar o prendimento da lâmina. Também poderá dar-se o caso de a peça a trabalhar se deslocar durante o corte, puxando-o a si e ao ajudante em direção à lâmina em rotação.
- ▶ **A parte cortada não pode ser pressionada contra a lâmina de serra em rotação.** Se existir pouco espaço, p. ex., em caso de utilização de batentes longitudinais, a parte cortada pode engatar na lâmina e ser projectada com violência para fora.
- ▶ **Utilize sempre um sargento ou um dispositivo adequado para apoiar corretamente material redondo, tais como hastes e tubos.** Ao cortar, as hastes tendem a deslizar, podendo a lâmina "agarrar-se", puxando a peça a trabalhar junto com a sua mão em direção à lâmina.
- ▶ **Deixe que a lâmina atinja o número de rotações total, antes de cortar na peça a trabalhar.** Isto evita o risco de a peça a trabalhar ser projetada.
- ▶ **Se a peça a trabalhar for entalada ou a lâmina bloquear, desligue a serra de chanfros em meia esquadria. Aguarde até pararem todas as peças em movimento, puxe a ficha de rede para fora da tomada e/ou retire a bateria. Em seguida, retire o material entalado.** Se, perante um bloqueio deste tipo, continuar a serrar, pode perder o controlo ou ocorrerem danos na serra de chanfros em meia esquadria.
- ▶ **Depois de terminado o corte, solte o interruptor, mantenha a cabeça da serra em baixo e aguarde a imobilização da lâmina, antes de retirar a peça cortada.** É muito perigoso aproximar a mão da lâmina em movimento por inércia.
- ▶ **Segure o punho firmemente ao realizar um corte incompleto ou se soltar o interruptor antes da cabeça da serra ter alcançado a sua posição inferior.** Através do efeito de travagem da serra, a cabeça da serra pode ser puxada aos solavancos para baixo, dando assim origem a um risco de ferimento.

2.3 Normas de segurança adicionais

- ▶ Utilize o produto e os acessórios somente se estiverem em perfeitas condições técnicas.
- ▶ Nunca efectue quaisquer manipulações ou modificações no produto ou nos acessórios.
- ▶ Risco de ferimentos devido a queda de ferramentas e/ou acessórios. Antes de iniciar os trabalhos, verifique se a bateria e os acessórios montados estão realmente fixos.
- ▶ Pó produzido ao rectificar, lixar, cortar e furar pode conter produtos químicos perigosos. Alguns exemplos são: Chumbo ou tintas à base de chumbo; Tijolo, betão e outros produtos de alvenaria, pedra natural e outros produtos que contenham silicatos; Determinadas madeiras, como carvalho, faia e madeira tratada quimicamente; Amianto ou materiais contendo amianto. Determine a exposição do operador e das pessoas que se encontrem nas proximidades através da classe de perigo dos materiais a serem trabalhados. Tome as medidas necessárias para manter a exposição a um nível seguro como, por ex., a utilização de um sistema colector de pó ou o uso de uma protecção respiratória adequada. As medidas gerais para redução da exposição incluem:
 - ▶ Trabalhar num local bem ventilado,
 - ▶ Evitar o contacto prolongado com pó,
 - ▶ Afastar o pó do rosto e do corpo,
 - ▶ Usar roupa de protecção e lavar áreas expostas com água e sabão.
- ▶ Use óculos de protecção, capacete de segurança, protecção auricular e uma protecção respiratória adequada durante a utilização do produto.
- ▶ Faça frequentemente pausas e exercícios para melhorar a circulação sanguínea nos dedos. Os trabalhos mais longos, devido às intensas vibrações, podem causar distúrbios nos vasos sanguíneos ou no sistema nervoso dos dedos, mãos ou pulsos.
- ▶ Mantenha sempre as saídas de ar desobstruídas. Risco de queimaduras devido a saídas de ar tapadas!



- ▶ Não solte o punho quando tiver conduzido a cabeça da serra para baixo. Conduza a cabeça da serra sempre de forma controlada de volta para a posição superior. Se a cabeça da serra se mover descontroladamente, isso poderá dar origem a um risco de ferimento.
- ▶ Não utilize lâminas de serra embotadas, fissuradas, deformadas ou danificadas. Lâminas de serra com dentes embotados ou mal alinhados produzem uma fricção maior, aumentando o perigo de bloqueios e coices.
- ▶ Nunca retire restos de corte, aparas de madeira, ou semelhantes da área de corte enquanto a serra está a trabalhar. Primeiro deve desligar sempre a serra e mover a cabeça da serra de volta para a posição superior.
- ▶ Utilize apenas lâminas de serra autorizadas para o produto, que correspondam às especificações que constam nos dados técnicos e/ou no produto (p. ex., diâmetro, velocidade de rotação, espessura, orifício de montagem, material, etc...) e testadas e identificadas de acordo com a norma EN 847-1.
- ▶ Utilize apenas lâminas de serra cuja velocidade de rotação permitida seja, no mínimo, tão alta quanto o número máximo de rotações indicado no produto.
- ▶ Após o trabalho, não toque na lâmina de serra antes de esta arrefecer. Durante o trabalho, a lâmina de serra fica muito quente.
- ▶ Use luvas de protecção para substituir o disco de corte.
- ▶ Antes de cada utilização, verifique se o resguardo de disco fecha correctamente. Mova a cabeça da serra para baixo e conduza-a de forma controlada de volta para a posição superior. Não utilize a serra se o resguardo não se mover livremente e não fechar imediatamente quando a cabeça da serra é levantada. Nunca trave ou prenda o resguardo de disco inferior em posição aberta.
- ▶ Nunca deve utilizar o produto sem o resguardo.
- ▶ Ao cortar perfis de alumínio, deixe que a ferramenta trabalhe sempre a baixa velocidade.
- ▶ Utilize e fixe sempre os apoios adicionais aplicados no produto.
- ▶ Para o transporte, segure o produto apenas nos locais previstos para o efeito (cavidades de punho e punho de transporte). Nunca transporte a ferramenta eléctrica pelo braço de deslize ou pelo punho.
→ Página 95
- ▶ Evite o sobreaquecimento das pontas dos dentes da serra. Ao serrar materiais plásticos deve evitar-se a fusão do plástico.

2.4 Utilização e manutenção de baterias

- ▶ **Tenha em atenção as seguintes indicações de segurança para um manuseamento e utilização seguros de baterias de íões de lítio.** A inobservância pode causar irritações da pele, ferimentos corrosivos graves, queimaduras químicas, fogo e/ou explosões.
- ▶ Utilize baterias somente se estiverem em perfeitas condições técnicas.
- ▶ Manuseie cuidadosamente as baterias a fim de evitar danos e impedir a fuga de líquidos extremamente nocivos!
- ▶ As baterias não devem, em caso algum, ser modificadas ou manipuladas!
- ▶ As baterias não podem ser desmanteladas, esmagadas, aquecidas acima dos 80 °C (176 °F) ou incineradas.
- ▶ Não utilize ou carregue baterias que tenham recebido uma pancada ou que estejam, de outra forma, danificadas. Verifique regularmente se as suas baterias apresentam indícios de danos.
- ▶ Nunca utilize baterias recicladas ou reparadas.
- ▶ Nunca utilize a bateria ou uma ferramenta eléctrica a bateria como ferramenta de percussão.
- ▶ Nunca expor as baterias à radiação solar directa, temperaturas elevadas, faíscas ou chamas abertas. Isso pode dar origem a explosões.
- ▶ Não toque nos pólos da bateria com os dedos, ferramentas, jóias ou outros objectos condutores da electricidade. Isto pode danificar a bateria e causar danos materiais e ferimentos.
- ▶ Mantenha as baterias afastadas da chuva, humidade e líquidos. A entrada de humidade pode causar curto-circuitos, choques eléctricos, queimaduras, incêndio e explosões.
- ▶ Utilize apenas carregadores e ferramentas eléctricas previstos para este tipo de bateria. Para isso, tenha em atenção as indicações nos respectivos manuais de instruções.
- ▶ Nunca utilize nem guarde a bateria em ambientes potencialmente explosivos.



- ▶ Se a bateria estiver demasiado quente ao toque, poderá estar com defeito. Coloque a bateria num local com boa visibilidade que não constitua risco de incêndio, suficientemente afastado de materiais inflamáveis. Deixe a bateria arrefecer. Se, passado uma hora, a bateria ainda estiver demasiado quente ao toque, então está com defeito. Contacte o Centro de Assistência Técnica **Hilti** ou leia a documento "Indicações relativas à segurança e utilização de baterias de iões de lítio **Hilti**".



Observe as regras específicas aplicáveis ao transporte, à armazenagem e à utilização de baterias de iões de lítio.

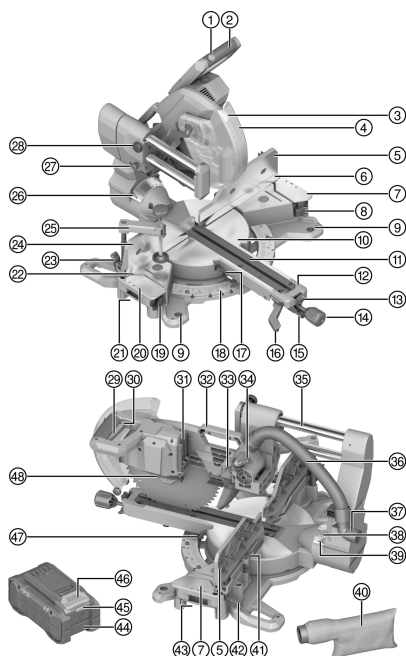
Leia as indicações relativas à segurança e utilização de baterias de iões de lítio **Hilti** que encontra efectuando a leitura do código QR na parte final deste manual de instruções.





3 Descrição

3.1 Vista geral do produto



- ① Dispositivo de aperto
- ② Punho
- ③ Indicação de corte LED
- ④ Cobertura de protecção
- ⑤ Batente de meia esquadria superior direito
- ⑥ Batente de meia esquadria inferior direito
- ⑦ Apoio adicional direito
- ⑧ Alavanca de desbloqueio do apoio adicional direito
- ⑨ Orifício de fixação
- ⑩ Prato rotativo
- ⑪ Placas ranhuradas
- ⑫ Braço do prato rotativo
- ⑬ Posição de engate da alavanca de desbloqueio do prato rotativo
- ⑭ Punho de aperto do prato rotativo
- ⑮ Alavanca de desbloqueio do prato rotativo
- ⑯ Alavanca de desbloqueio do ângulo em meia esquadria vertical
- ⑰ Ponteiro do ângulo em meia esquadria horizontal esquerdo
- ⑱ Escala para ângulo em meia esquadria horizontal
- ⑲ Alavanca de desbloqueio do apoio adicional esquerdo
- ⑳ Apoio adicional esquerdo
- ㉑ Cavidade do punho à esquerda
- ㉒ Batente de meia esquadria inferior esquerdo
- ㉓ Alavanca de desbloqueio do batente de meia esquadria superior esquerdo
- ㉔ Batente de meia esquadria superior direito esquerdo
- ㉕ Sargento
- ㉖ Ponteiro do ângulo em meia esquadria vertical esquerdo
- ㉗ Bloqueio de transporte
- ㉘ Parafuso de fixação da saída
- ㉙ Interruptor on/off
- ㉚ Orifício para cadeado
- ㉛ Interface da bateria
- ㉜ Punho de transporte
- ㉝ Placa de batente do limitador de profundidade
- ㉞ Limitador de profundidade
- ㉟ Saída / haste de deslize
- ⓫ Tubo de ligação da sistema de remoção de pó
- ⓬ Tubuladura de aspiração
- ⓭ Escala para ângulo em meia esquadria vertical
- ⓮ Ponteiro do ângulo em meia esquadria vertical direito
- ⓯ Saco colector do pó
- ⓰ Chave para sextavado interior
- ⓱ Alavanca de desbloqueio do batente de meia esquadria superior direito
- ⓲ Cavidade do punho à direita
- ⓳ Bateria
- ⓴ Indicação de estado da bateria



2395173

3.2 Utilização conforme a finalidade projectada

O produto descrito é uma serra de chanfros em meia esquadria a bateria. Foi concebida para serrar madeira, produtos de madeira, plástico e perfis de alumínio. O produto permite realizar cortes transversais, cortes enviesados e cortes em meia esquadria.

O produto está equipado com um bocal para a aspiração das aparas, dimensionado para tubos de aspirador usuais. Para ligar o tubo flexível do removedor de pó com a serra, poderá ser necessário um adaptador adequado.

- Utilize a serra apenas com o saco para aparas fornecido ou com um removedor de pó adequado.
- Utilize apenas lâminas de serra aprovadas para o produto, que correspondam às indicações nas características técnicas (p. ex., diâmetro, velocidade de rotação, espessura, material, etc...). Não são permitidos discos de corte/rebarbar e lâminas de serra em aço para corte rápido de alta liga (aço HSS).
- Nunca utilize o produto para cortar magnésio.
- Para este produto, utilize apenas baterias de iões de lítio **Hilti** Nuron da série B 22. Para garantir o desempenho perfeito, a **Hilti** recomenda para este produto as baterias indicadas nesta tabela, no fim deste manual de instruções.
- Para estas baterias utilize apenas carregadores **Hilti** das séries referidas na tabela no final deste manual de instruções.

3.3 Incluído no fornecimento

Serra de chanfros em meia esquadria, lâmina de serra, flange de aperto, flange de montagem, parafuso de aperto, chave para sextavado interior, sargento, punho de aperto do prato rotativo, manual de instruções. Poderá encontrar outros produtos de sistema aprovados para o seu produto na sua **Hilti Store** ou em: www.hilti.group

3.4 Indicações da bateria de iões de lítio

As baterias de iões de lítio **Hilti** Nuron podem apresentar o estado de carga, mensagens de erro e o estado da bateria.

3.4.1 Indicações relativas ao estado de carga e mensagens de erro



AVISO

Risco de ferimentos devido à queda da bateria!

- Com a bateria encaixada, depois de pressionar o botão de destravamento, certifique-se de que volta a encaixar a bateria correctamente no produto utilizado.

Para obter uma das seguintes indicações, pressione brevemente o botão de destravamento da bateria. O estado de carga, assim como, possíveis avarias são apresentados de forma permanente, enquanto o produto conectado estiver ligado.

Estado	Significado
Quatro (4) LEDs estão sempre acesos a verde	Estado de carga: 100% a 71%
Três (3) LEDs estão sempre acesos a verde	Estado de carga: 70% a 51%
Dois (2) LEDs estão sempre acesos a verde	Estado de carga: 50% a 26%
Um (1) LED está sempre aceso a verde	Estado de carga: 25% a 10%
Um (1) LED pisca lentamente a verde	Estado de carga: < 10%
Um (1) LED pisca rapidamente a verde	A bateria de iões de lítio está completamente descarregada. Carregue a bateria. Se o LED ainda estiver a piscar rapidamente depois de carregar a bateria, contacte o Centro de Assistência Técnica Hilti .



Estado	Significado
Um (1) LED pisca rapidamente a amarelo	A bateria de íões de lítio ou o produto associado estão sobrecarregados, demasiado quentes, demasiado frios ou existe alguma outra falha. O produto e a bateria devem ser utilizados à temperatura de trabalho recomendada e o produto não deve ser sobrecarregado quando está a ser utilizado. Se a mensagem persistir, contacte o Centro de Assistência Técnica Hilti .
Um (1) LED acende-se a amarelo	A bateria de íões de lítio e o produto a ela ligado não são compatíveis. Contacte a Assistência Técnica Hilti .
Um (1) LED pisca rapidamente a vermelho	A bateria de íões de lítio está bloqueada e não pode continuar a ser utilizada. Contacte a Assistência Técnica Hilti .

3.4.2 Indicações relativas ao estado da bateria

Para consultar o estado da bateria, mantenha o botão de destravamento pressionado por mais de três segundos. O sistema não detecta potenciais anomalias da bateria devido a utilização inadequada como, por ex., quedas, perfurações, danos externos provocados pelo calor, etc.

Estado	Significado
Todos os LEDs acendem como luz de perseguição e, em seguida, um (1) LED está sempre aceso a verde.	A bateria pode continuar a ser utilizada.
Todos os LEDs acendem como luz de perseguição e, em seguida, um (1) LED pisca rapidamente a amarelo.	Não foi possível concluir a consulta sobre o estado da bateria. Repita o procedimento ou contacte o Centro de Assistência Técnica Hilti .
Todos os LEDs acendem como luz de perseguição e, em seguida, um (1) LED está sempre aceso a vermelho.	Se um produto conectado ainda puder ser utilizado, a capacidade restante da bateria é inferior a 50%. Se um produto conectado já não puder ser utilizado, a bateria está no fim da sua vida útil e deve ser substituída. Contacte a Assistência Técnica Hilti .

4 Características técnicas

4.1 Características do produto

Tensão nominal	21,6 V	
Velocidade nominal de rotação sem carga	4 300 rpm	
Diâmetro da lâmina de serra	305 mm (12,0 in)	
Espessura de raiz da lâmina	0,5 mm ... 1,5 mm (0,02 in ... 0,06 in)	
Orifício de montagem da lâmina de serra	30 mm (1,2 in)	
Largura de corte	3,2 mm (0,13 in)	
Máximo ângulo em meia esquadria horizontal	Direita	≤ 60°
	Esquerda	≤ 52°
Máximo ângulo em meia esquadria vertical	Direita	≤ 48°
	Esquerda	≤ 48°
Máxima capacidade de corte independente de outras medidas ou ângulos de meia esquadria	Altura	≤ 100 mm (≤ 3,9 in)



Máxima capacidade de corte independente de outras medidas ou ângulos de meia esquadria	Largura	≤ 360 mm (≤ 14,2 in)
Peso		25,6 kg (56,4 lb) (sem bateria)
Temperatura ambiente durante o funcionamento		-17 °C ... 60 °C (1 °F ... 140 °F)
Temperatura de armazenagem		-20 °C ... 70 °C (-4 °F ... 158 °F)

4.2 Bateria

Tensão de serviço da bateria	21,6 V
Peso da bateria	Consultar o fim deste manual de instruções
Temperatura ambiente durante o funcionamento	-17 °C ... 60 °C (1 °F ... 140 °F)
Temperatura de armazenagem	-20 °C ... 40 °C (-4 °F ... 104 °F)
Temperatura da bateria no início do carregamento	-10 °C ... 45 °C (14 °F ... 113 °F)

4.3 Máxima capacidade de corte

As dimensões indicadas em altura e largura dependem umas das outras. Pode encontrar os valores da máxima altura e largura possível no capítulo Características do produto. → Página 83

Ângulo em meia esquadria horizontal	Ângulo em meia esquadria vertical	Altura x Largura
0°	0°	100 mm x 355 mm (3,9 in x 14,0 in)
	22,5° direita	72 mm x 355 mm (2,8 in x 14,0 in)
	22,5° esquerda	90 mm x 355 mm (3,5 in x 14,0 in)
	30° direita	60 mm x 355 mm (2,4 in x 14,0 in)
	30° esquerda	78 mm x 355 mm (3,1 in x 14,0 in)
	45° direita	40 mm x 355 mm (1,6 in x 14,0 in)
	45° esquerda	65 mm x 340 mm (2,6 in x 13,4 in)
	48° direita	30 mm x 355 mm (1,2 in x 14,0 in)
	48° esquerda	50 mm x 355 mm (2,0 in x 14,0 in)
45° direita 45° esquerda	0°	100 mm x 250 mm (3,9 in x 9,8 in)
	45° direita	40 mm x 250 mm (1,6 in x 9,8 in)
	45° esquerda	62 mm x 250 mm (2,4 in x 9,8 in)



Ângulo em meia esquadria horizontal	Ângulo em meia esquadria vertical	Altura x Largura
52° esquerda	0°	100 mm x 200 mm (3,9 in x 7,9 in)
	45° direita	40 mm x 220 mm (1,6 in x 8,7 in)
	45° esquerda	62 mm x 220 mm (2,4 in x 8,7 in)
60° direita	0°	100 mm x 176 mm (3,9 in x 6,9 in)
	45° direita	40 mm x 178 mm (1,6 in x 7,0 in)
	45° esquerda	30 mm x 190 mm (1,2 in x 7,5 in)

5 Preparação do local de trabalho

AVISO

Risco de ferimentos devido a arranque involuntário!

- ▶ Antes de encaixar a bateria, certifique-se de que o produto correspondente está desligado.
- ▶ Remova a bateria, antes de efectuar ajustes na ferramenta ou substituir acessórios.

Tenha em atenção as instruções de segurança e as advertências nesta documentação e no produto.

5.1 Montar o punho de aperto

O punho de aperto do prato rotativo não se encontra montado no estado de fornecimento. Tem de ser montado antes de se utilizar a serra.

- ▶ Enrosque o punho de aperto no braço do prato rotativo.

5.2 Carregar a bateria

1. Antes de carregar, leia o manual de instruções do carregador.
2. Certifique-se de que os contactos da bateria e do carregador estão limpos e secos.
3. Carregue a bateria num carregador aprovado. → Página 82

5.3 Colocar a bateria

AVISO

Risco de ferimentos devido a curto-circuito ou queda da bateria!

- ▶ Antes de encaixar a bateria, certifique-se de que os contactos da bateria e os contactos no produto estão livres de corpos estranhos.
- ▶ Certifique-se de que a bateria engata sempre correctamente.

1. A bateria deve ser completamente carregada antes da primeira utilização.
2. Introduza a bateria no produto até engatar de forma audível.
3. Verifique se a bateria está correctamente encaixada.

5.4 Retirar a bateria

1. Pressione o botão de destravamento da bateria.
2. Puxe a bateria para fora do produto.

5.5 Montar o produto

O produto tem de ser fixo numa superfície plana e estável.

1. Coloque o produto sobre uma superfície plana e estável.



2. Aparafuse o produto na superfície de trabalho através dos orifícios de fixação. Utilize parafusos adequados para o efeito.
3. Em alternativa, fixe os pés da ferramenta com sargentos comuns na superfície de trabalho.



Como opção, a **Hilti** também disponibiliza uma base, sobre a qual se pode montar o produto para uma utilização móvel.

5.6 Colocar em posição de trabalho 2

1. Pressione a cabeça da serra levemente para baixo e puxe o bloqueio de transporte para fora.
2. Conduza a cabeça da serra de forma controlada para cima.

5.7 Sistema de remoção de pó

5.7.1 Montar o saco colector do pó

O saco coletor do pó permite um trabalho limpo e recolhe uma grande percentagem do pó produzido.

- ▶ Encaixe o saco coletor do pó na tubuladura de aspiração.

5.7.2 Conectar o removedor de pó

O removedor de pó deve ser adequado para o material a trabalhar. Ao aspirar pó nocivos para a saúde, cancerígenos ou secos, utilize um aspirador especial adequado.

- ▶ Encaixe a mangueira de aspiração na tubuladura de aspiração.

5.8 Montar a lâmina de serra 3

Assegure-se de que a lâmina de serra a fixar corresponde aos requisitos técnicos e que está afiada. Uma lâmina de serra afiada é condição essencial para uma ranhura de corte perfeita.

1. Limpe as flanges de montagem e de aperto.
2. Encaixe o flange de montagem com a orientação correcta no veio de accionamento (1).
3. Abra o resguardo de disco pendular (2).
4. Coloque a lâmina de serra nova.



Respeite o sentido de rotação indicado pela seta (3) na lâmina de serra e no produto. Ambas têm de coincidir.

5. Encaixe o flange de aperto exterior na orientação correcta (4).
6. Enrosque o parafuso de aperto.
7. Aplique a chave para sextavado interior no parafuso de aperto para a lâmina de serra.
8. Pressione e mantenha pressionado o bloqueio do veio (5).
9. Com a chave para sextavado interior, aperte o parafuso de aperto (6).
10. Verifique o posicionamento correcto da lâmina de serra.
11. Verifique a liberdade de movimento da lâmina de serra. A lâmina de serra não pode entrar em contacto com outros componentes da serra, qualquer que seja o ajuste (ângulo em meia esquadria horizontal e/ou vertical).
12. Insira a chave para sextavado interior no suporte previsto para o efeito.

5.9 Desmontar a lâmina de serra 4

AVISO

Risco de queimaduras e corte na lâmina de serra, parafuso e flange de aperto As consequências podem ser queimaduras e cortes.

- ▶ Use luvas de protecção para a troca do acessório.

1. Pressione e mantenha pressionado o bloqueio do veio (1).
2. Com a chave para sextavado interior, solte o parafuso de aperto (2).
3. Retire o parafuso de aperto e o flange de aperto (3).
4. Abra o resguardo de disco pendular (4) e retire a lâmina de serra (5).



Em caso de necessidade, a flange de montagem pode ser retirada para ser limpa.



6 Utilização

Tenha em atenção as instruções de segurança e as advertências nesta documentação e no produto.

6.1 Bloquear / soltar a saída

A saída pode ser bloqueada num local aleatório.

1. Para bloquear a saída, rode o parafuso de fixação **(1)** no sentido dos ponteiros do relógio.
 - ▶ O parafuso de fixação prende a haste de deslize, é impedido o movimento de deslize.
2. Para soltar a saída, rode o parafuso de fixação **(1)** no sentido contrário ao dos ponteiros do relógio.

6.2 Ajustar a profundidade de corte no limitador de profundidade

Utilize o limitador de profundidade caso, por exemplo, pretenda serrar uma ranhura.

1. Bascule a placa de batente **(1)** do limitador de profundidade de modo a que o limitador de profundidade não passe através da abertura ao baixar a cabeça da serra.
2. Ajuste a profundidade de corte pretendida através do parafuso serrilhado **(2)**.
3. Caso já não pretenda limitar mais a profundidade de corte, bascule a placa de batente **(1)** de modo a que o limitador de profundidade passe através da abertura ao baixar a cabeça da serra.

6.3 Alongar a bancada da serra

AVISO

Risco de ferimentos devido a peças a trabalhar compridas. Peças a trabalhar compridas podem tombar descontroladamente durante o corte, levantar o resguardo, entalar a lâmina de serra e provocar um coice.

- ▶ Apoie peças a trabalhar compridas com cavaletes para serrar adicionais ou bases equiparáveis.

A superfície de contacto da bancada da serra pode ser ampliada com auxílio dos apoios adicionais direito e / ou esquerdo.

1. Abra a alavanca de desbloqueio do apoio adicional **(1)**.
2. Puxe o apoio adicional para fora **(2)**.
3. Bloqueie a alavanca de desbloqueio do apoio adicional **(1)**.
4. Se necessário, repita os passos para o apoio adicional do lado oposto.

6.4 Ajustar os batentes de meia esquadria superiores

Consoante o ajuste do ângulo em meia esquadria horizontal e/ou vertical será necessário puxar os batentes de meia esquadria superiores para fora ou removê-los por completo.

1. Abra a alavanca de desbloqueio **(1)** do batente de meia esquadria superior esquerdo ou direito.
2. Puxe o batente de meia esquadria superior **(2)** tanto quanto necessário para fora ou remova o batente de meia esquadria.
3. Feche a alavanca de desbloqueio **(1)**.
 - ▶ Volte a montar os batentes de meia esquadria superiores na posição mais interior quando realizar cortes rectos.
4. Se o batente de meia esquadria superior tiver sido retirado, durante o processo de corte poderá ser fixado nas hastes de deslize do apoio adicional por forma a ficar guardado em segurança.

6.5 Ajustar ângulo em meia esquadria horizontal

AVISO

Risco de ferimentos devido a prato rotativo não bloqueado. O prato rotativo não bloqueado pode torcer durante o corte, a peça a trabalhar pode enviesar e originar assim um coice.

- ▶ Aperte sempre o punho de aperto do prato rotativo antes de realizar um corte.



Para o ajuste rápido e preciso de ângulos em meia esquadria horizontais frequentemente utilizados existem entalhes na escala do ângulo em meia esquadria horizontal. O prato rotativo pode ser engatado nesses entalhes.

Posições de retenção do ângulo em meia esquadria horizontal

Esquerda	Centro	Direita
45°; 31,6°; 22,5°; 15°	0°	15°; 22,5°; 31,6°; 45°; 60°

- ▶ Se necessário, solte o punho de aperto do prato rotativo **(2)**.
- ▶ Puxe a alavanca de desbloqueio do prato rotativo para cima e mantenha-a nessa posição **(1)** e rode o prato rotativo até pouco antes do ângulo em meia esquadria horizontal pretendido **(3)**.
- ▶ Solte a alavanca de desbloqueio do prato rotativo e continue a rodar o prato rotativo até ao ângulo em meia esquadria horizontal pretendido, até que o bloqueio engate.
- ▶ Aperte o punho de aperto do prato rotativo **(2)**.

Fora do ângulo em meia esquadria padrão, o ângulo em meia esquadria horizontal pode ser ajustado livremente.

- ▶ Se necessário, solte o punho de aperto do prato rotativo **(2)**.
- ▶ Puxe a alavanca de desbloqueio do prato rotativo **(1)** para cima e engate-o **(4)**.
- ▶ Ajuste o prato rotativo para o ângulo em meia esquadria horizontal pretendido **(3)**.
- ▶ Aperte o punho de aperto do prato rotativo **(2)**.

6.6 Ajustar o ângulo em meia esquadria vertical
AVISO

Risco de ferimentos devido a uma inclinação não bloqueada. Se o ajuste do ângulo em meia esquadria vertical não estiver bloqueado, a cabeça da serra pode bascular durante o corte e dar origem a um coice.

- ▶ Depois de efetuado o ajuste, pressione a alavanca de desbloqueio do batente de meia esquadria vertical completamente para baixo, de modo a bloquear a inclinação.

CUIDADO

Risco de ferimentos através dos batentes de meia esquadria superiores. Com o ângulo em meia esquadria vertical ajustado, a lâmina de serra pode colidir com os batentes de meia esquadria superiores, dando origem a danos e coices.

- ▶ Após cada ajuste de um ângulo em meia esquadria vertical, verifique a liberdade de movimento da lâmina de serra e coloque os batentes de meia esquadria superiores o máximo necessário para fora.

Para o ajuste rápido e preciso de ângulos em meia esquadria verticais frequentemente utilizados é possível engatar a cabeça da serra em várias posições.

Posições de retenção do ângulo em meia esquadria vertical

Esquerda	Centro	Direita
45°; 33,9°; 22,5°	0°	22,5°; 33,9°; 45°

- ▶ Puxe a alavanca de desbloqueio do ajuste em meia esquadria vertical para cima, para a soltar **(2)**.
- ▶ Puxe a alavanca de desbloqueio do ajuste em meia esquadria vertical totalmente para cima, para poder mover a cabeça da serra livremente **(3)**.
- ▶ Solte a alavanca de desbloqueio e incline a cabeça da serra até que o bloqueio engate.
 - ▶ A cabeça da serra pode ser engatada em qualquer uma das posições acima referidas.
- ▶ Em seguida, pressione a alavanca de desbloqueio totalmente para baixo **(1)**, de modo a bloquear a cabeça da serra na posição ajustada.
- ▶ Caso pretenda ajustar um ângulo em meia esquadria vertical arbitrário, segure a alavanca de desbloqueio do ajuste em meia esquadria vertical na posição superior **(3)**, até alcançar o ângulo em meia esquadria vertical pretendido.
- ▶ Em seguida, pressione a alavanca de desbloqueio totalmente para baixo **(1)**, de modo a bloquear a cabeça da serra na posição ajustada.



- ▶ Ajuste os batentes de meia esquadria superiores de modo a que não colidam com a lâmina de serra.
→ Página 87

6.7 Activar a indicação da linha de corte

A serra está equipada com uma indicação da linha de corte. Um LED na cabeça da serra ilumina a área de trabalho e gera uma sombra através da lâmina de serra, sendo assim indicada de forma precisa a linha de corte.

1. Active o interruptor on/off, sem pressionar o dispositivo de bloqueio.
 - ▶ O LED é activado.
2. Conduza a cabeça da serra para baixo.
 - ▶ A sombra da lâmina de serra aparece na peça a trabalhar e indica a linha de corte.
3. Se necessário, adapte a peça a trabalhar ou o ajuste do ângulo em meia esquadria horizontal e/ou vertical à linha de corte.

6.8 Posicionar e fixar a peça a trabalhar **12, 13, 14**

AVISO

Risco de ferimentos devido a madeira torcida. Uma peça a trabalhar torcida e/ou curvada pode enviesar na lâmina de serra e dar origem a um coice.

- ▶ Posicione peças a trabalhar torcidas ou curvadas sempre com o lado abaulado para fora, contra o batente de meia esquadria. Nunca posicione uma peça a trabalhar de modo a que exista uma folga entre a peça a trabalhar e os batentes de meia esquadria.

AVISO

Risco de ferimentos devido a um posicionamento incorreto da peça a trabalhar. Uma peça a trabalhar posicionada incorretamente pode enviesar na lâmina de serra e dar origem a um coice.

- ▶ Posicione a peça a trabalhar sempre de forma a apoiar com a máxima superfície de contacto no prato rotativo, nos apoios e nos batentes de meia esquadria.

AVISO

Risco de ferimentos devido a peça a trabalhar não fixa! Se a peça a trabalhar não for corretamente fixada no batente de meia esquadria, a peça a trabalhar pode deslocar-se durante a operação de corte e causar uma possível danificação da lâmina de serra, podendo a peça a trabalhar ser projetada para fora e dando origem a uma perda de controlo.

- ▶ Em todas as operações, a peça a trabalhar tem de ser fixada firmemente com o sargento contra o prato rotativo e o batente de meia esquadria.

AVISO

Risco de ferimentos devido a contacto de componentes da serra com o sargento! A lâmina de serra pode ser danificada em caso de contacto com o sargento. Os dispositivos de proteção podem ser impedidos pelo sargento e a sua função ser limitada. O movimento da cabeça da serra pode ser limitado pelo sargento, o que pode originar um coice.

- ▶ Com a serra desligada, faça uma tentativa para ver o movimento a esperar. Certifique-se de que nenhum componente da serra entra em contacto com o sargento.
- ▶ Se necessário, mude o sargento para um outro local da serra.
- ▶ Pressione o botão de destravamento do sargento **(2)** e puxe a haste roscada para cima, até ao batente.
- ▶ Insira o sargento numa das aberturas previstas para o efeito **(1)**.
- ▶ Pressione a peça a trabalhar firmemente contra o batente de meia esquadria inferior.
- ▶ Pressione o botão de destravamento do sargento, de modo a adaptar a haste roscada rapidamente à peça a trabalhar **(2)**.
- ▶ Incline o sargento para trás, em sentido contrário à posição da haste roscada **(3)**. Em seguida, aperte bem a haste roscada, rodando-a no sentido horário e fixe assim a peça a trabalhar **(4)**.
 - ▶ Para soltar a peça a trabalhar, rode a haste roscada no sentido anti-horário. Em seguida, pressione o botão de destravamento do sargento e puxe a haste roscada para cima, até ao batente.

6.9 Ajustar a velocidade de rotação

- ▶ Ajuste a velocidade de rotação pretendida através do botão regulador da velocidade de rotação.



6.10 Ligar / desligar

AVISO

Risco de ferimentos devido a coice.

- ▶ Ligue a serra somente quando a lâmina de serra não tocar na peça a ser trabalhada.

AVISO

Risco de ferimentos devido a coice.

- ▶ Depois de desligar, deixe a cabeça da serra na posição inferior até a lâmina de serra parar.

1. Pressione e mantenha pressionado o dispositivo de bloqueio de ativação.
2. Pressione e mantenha pressionado o interruptor on/off.
 - ▶ A serra funciona.
3. Para desligar a serra, solte o interruptor on/off.

6.11 Serrar

AVISO

Risco de ferimentos devido a posicionamento errado das mãos e braços. Em caso de posicionamento errado, a lâmina de serra em movimento poderá acertar nos braços ou mãos, causando ferimentos graves.

- ▶ Nunca cruze os braços ao serrar. Nunca cruze a linha de corte com um braço ou uma mão.
- ▶ Mantenha os braços e mãos fora da zona de perigo assinalada, à direita e esquerda da lâmina de serra.

A postura correta do corpo e da mão ao trabalhar com a serra em meia esquadria torna o corte mais fácil, mais preciso e mais seguro.

Deve estar bem apoiado sobre os dois pés e manter o equilíbrio. Ao mover o braço de meia esquadria para a esquerda e direita, siga-o e coloque-se numa posição lateral relativamente à lâmina de serra.

Mantenha livre a zona de perigo de 230 mm (9 in) à esquerda e 270 mm (10.4 in) à direita da lâmina de serra. Mantenha as mãos, braços e outras partes do corpo afastadas desta zona de perigo.

Mantenha as mãos em posição até que o interruptor on / off tenha sido solto e a lâmina de serra esteja totalmente imobilizada.



Para a realização do corte, pressione a cabeça da serra de forma suave e controlada para baixo. Se exercer uma pressão excessiva ou uma força lateral relativamente à linha de corte, a lâmina de serra poderá começar a oscilar, o que leva a vestígios de serração adicionais na peça a trabalhar e pode influenciar a precisão de corte.

6.11.1 Serrar sem movimento de impulso (chanfrar)

AVISO

Risco de ferimentos devido a saída não bloqueada. Uma saída não bloqueada pode originar um movimento de deslize imprevisto da cabeça da serra, dando origem a um coice.

- ▶ Bloquee sempre a saída em cortes de chanfro.

1. Empurre a cabeça da serra para trás, até ao batente (afastando-a de si).
2. Bloquee a saída. → Página 87
3. Ajuste a placa de batente do limitador de profundidade de modo a que o limitador de profundidade passe através da abertura ao baixar a cabeça da serra. → Página 87
4. Adapte todos os ajustes da serra (ângulo, batentes de meia esquadria, superfícies de contacto) às exigências do corte a realizar.
5. Fixe a peça a trabalhar. → Página 89
6. Ligue a serra. → Página 90
7. Conduza a cabeça da serra lentamente para baixo e serre a peça a trabalhar com avanço uniforme.
8. Desligue a serra e aguarde até que a lâmina de serra fique imobilizada.
9. Conduza a cabeça da serra de volta para a posição superior.



6.11.2 Serrar com movimento de impulso

AVISO

Coice devido a movimento incorreto da cabeça da serra. Um movimento incorreto da cabeça da serra num corte com movimento de impulso pode causar um coice.

- ▶ Antes de efetuar o corte, deve primeiro puxar sempre a cabeça da serra completamente para fora, em seguida baixe-a e, por fim, empurre-a em direção aos batentes de meia esquadria.
- ▶ Nunca puxe a cabeça da serra na sua direção, se a lâmina de serra já se encontrar na peça a trabalhar.



Em cortes com movimento de impulso, empurre a cabeça da serra, de forma suave e sem parar, até ao batente de meia esquadria. Se o movimento de impulso for interrompido durante o corte, a lâmina de serra deixa marcas na peça a trabalhar e a precisão de corte é influenciada.

1. Se necessário, solte a saída. → Página 87
2. Ajuste a placa de batente do limitador de profundidade de modo a que o limitador de profundidade passe através da abertura ao baixar a cabeça da serra. → Página 87
3. Adapte todos os ajustes da serra (ângulo, batentes de meia esquadria, superfícies de contacto) às exigências do corte a realizar.
4. Fixe a peça a trabalhar. → Página 89
5. Puxe a cabeça da serra completamente em sua direção.
6. Ligue a serra. → Página 90
7. Conduza a cabeça da serra lentamente para baixo.
8. Mantenha a cabeça da serra na posição inferior e empurre-a lentamente para trás (afastando-a de si). Serre a peça a trabalhar com um avanço uniforme.
9. Desligue a serra e aguarde até que a lâmina de serra fique imobilizada.
10. Conduza a cabeça da serra de volta para a posição superior.

6.11.3 Serrar ranhura

1. Ajuste o limitador de profundidade para a profundidade de corte pretendida. → Página 87
2. Realize um corte com movimento de impulso. → Página 91

6.11.4 Serrar secções de perfil

AVISO

Risco de ferimentos devido a uma fixação incorreta da peça a trabalhar. Uma peça a trabalhar fixada incorretamente pode enviesar na lâmina de serra e dar origem a um coice.

- ▶ Se colocar a secção de perfil contra o batente de meia esquadria, deve prestar especial atenção a uma fixação suficiente da secção de perfil, para impedir que esta se desloque. → Página 89

Secções de perfil podem ser serradas de duas formas distintas:

- Colocadas contra o batente de meia esquadria
- Deitadas de forma plana sobre a bancada da serra
- ▶ Consoante a largura das secções de perfil, realize o corte com ou sem movimento de impulso.
- ▶ Primeiro, teste o ângulo em meia esquadria horizontal e/ou vertical ajustado num residuo de madeira.

7 Conservação e manutenção

AVISO

Risco de lesão com a bateria encaixada !

- ▶ Retire sempre a bateria antes de todos os trabalhos de conservação e manutenção!

Conservação do produto

- Remova sujidade persistente com cuidado.
- Limpe as saídas de ar cuidadosamente com uma escova seca e macia.
- Limpe a carcaça apenas com um pano ligeiramente húmido. Não utilize produtos de conservação que contenham silicone, uma vez que estes podem danificar os componentes de plástico.
- Utilize um pano limpo e seco, para limpar os contactos do produto.



- Limpe regularmente as hastes de deslize da saída e dos apoios adicionais. Após cada limpeza, aplique algumas gotas de óleo sobre todas as hastes de deslize.
- Limpe regularmente as superfícies de contacto dos batentes de meia esquadria superiores. Se necessário, aplique posteriormente massa consistente nas superfícies de contacto.

Conservação das baterias de iões de lítio

- Nunca utilize uma bateria com as saídas de ar obstruídas. Limpe as saídas de ar cuidadosamente com uma escova seca e macia.
- Evite que a bateria seja exposta desnecessariamente a pó ou sujidade. Nunca exponha a bateria a humidade elevada (por ex., mergulhar em água ou deixar à chuva). Se uma bateria tiver ficado encharcada, trate-a como uma bateria danificada. Isole-a num recipiente não inflamável e contacte o Centro de Assistência Técnica **Hilti**.
- Mantenha a bateria sem resíduos de óleo e massa consistente externos. Não permita que se acumule desnecessariamente pó ou sujidade sobre a bateria. Limpe a bateria com uma escova seca e macia ou um pano limpo e seco. Não utilize produtos de conservação que contenham silicone, uma vez que estes podem danificar os componentes de plástico. Não toque nos contactos da bateria nem remova dos contactos a massa consistente aplicada de fábrica.
- Limpe a carcaça apenas com um pano ligeiramente húmido. Não utilize produtos de conservação que contenham silicone, uma vez que estes podem danificar os componentes de plástico.

Manutenção

- Verifique, regularmente, todos os componentes visíveis quanto a danos e os comandos operativos quanto a funcionamento perfeito.
- Não opere o produto se existirem danos e/ou perturbações de funcionamento. Mandar reparar o produto imediatamente no Centro de Assistência Técnica **Hilti**.
- Após os trabalhos de conservação e manutenção, aplique todos os dispositivos de protecção e verifique se funcionam correctamente.



Para um funcionamento seguro, utilize apenas peças sobresselentes e consumíveis originais. Poderá encontrar peças sobresselentes, consumíveis e acessórios aprovados pela **Hilti** para o seu produto na sua **Hilti Store** ou em: www.hilti.group

7.1 Limpeza dos dispositivos de protecção

1. Desmonte a lâmina de serra. → Página 86
2. Limpe os dispositivos de protecção cuidadosamente com uma escova seca.
3. Remova com uma ferramenta adequada depósitos e aparas no interior dos dispositivos de protecção.
4. Monte a lâmina de serra. → Página 86

7.2 Limpar o adaptador de aspiração e o tubo de ligação 17

1. Retire o saco coletor do pó ou a mangueira de aspiração conectada do removedor de pó.
2. Solte o parafuso de fixação do tubo de ligação na cabeça da serra (1).
3. Extraia o tubo de ligação da cabeça da serra (2) e do adaptador de aspiração.
4. Esvazie o tubo de ligação e limpe-o com uma escova seca.
5. Limpe o canal das aparas na cabeça da serra e o adaptador de aspiração com uma escova seca.
6. Volte a encaixar o tubo de ligação no adaptador de aspiração e na cabeça da serra.
7. Aperte o parafuso de fixação do tubo de ligação na cabeça da serra.
8. Monte o saco coletor do pó ou volte a conectar o removedor de pó. → Página 86

7.3 Esvaziar o saco coletor do pó 18

1. Retire o saco coletor do pó do adaptador de aspiração.
2. Abra o fecho de correr do saco coletor do pó e elimine de forma adequada o seu conteúdo.
3. Feche o fecho de correr do saco coletor do pó.
4. Monte o saco coletor do pó de novo no adaptador de aspiração. → Página 86

7.4 Verificar e ajustar os ajustes e indicações

A serra de chanfros em meia esquadria foi cuidadosamente regulada e ajustada de fábrica. No entanto, poderá ser necessário após uma utilização intensiva ou manuseamento descuidado, verificar os ajustes e indicações da serra e, se necessário, ajustá-los.



Para verificar e ajustar a serra necessita de experiência e ferramentas especiais.

A **Hilti** recomenda que mande ajustar a serra num Centro de Assistência Técnica da **Hilti**.



Em todos os trabalhos de verificação e de ajuste com o goniómetro não toque nas pontas dos dentes da serra. A consequência seria uma medição errada. O goniómetro deve coincidir sempre com a folha matriz.

7.4.1 Verificar o ângulo em meia esquadria vertical

1. Empurre a cabeça da serra para trás, até ao batente (afastando-a de si).
2. Ajuste a placa de batente do limitador de profundidade de modo a que o limitador de profundidade passe através da abertura ao baixar a cabeça da serra. → Página 87
3. Ajuste o ângulo em meia esquadria horizontal para 0°.
4. Pressione a cabeça da serra para baixo e empurre o bloqueio de transporte para dentro, de modo a bloquear a cabeça da serra.
5. Ajuste o ângulo em meia esquadria vertical para 0°.
6. Ajuste um goniómetro para 90°.
7. Coloque o goniómetro na vertical e de forma rematada sobre a bancada da serra.
8. Mova o goniómetro em direção à lâmina de serra.
 - ▶ O goniómetro deve estar rematado com a lâmina de serra em toda a linha.
9. Ajuste o ângulo em meia esquadria vertical para 45° à direita.
10. Ajuste o goniómetro para 45° (em alternativa 135° para a medição do lado esquerdo).
11. Coloque o goniómetro na vertical e de forma rematada sobre a bancada da serra.
12. Mova o goniómetro em direção à lâmina de serra.
 - ▶ O goniómetro deve estar rematado com a lâmina de serra em toda a linha.
13. Repita os passos para o ângulo em meia esquadria vertical 45° à esquerda.

Resultado 1 / 2

Em todas as três medições, o goniómetro está rematado com a lâmina de serra em toda a linha.

- ▶ A serra está corretamente ajustada.

Resultado 2 / 2

O goniómetro e a lâmina de serra não estão rematados em uma ou várias medições.

- ▶ Dirija-se ao Centro de Assistência Técnica **Hilti**.

7.4.2 Ajustar o ponteiro do ângulo em meia esquadria vertical

1. Verifique o ângulo em meia esquadria vertical relativamente a precisão exacta. → Página 93
2. Ajuste o ângulo em meia esquadria vertical para 0°.
3. Solte o parafuso de fixação de um ponteiro do ângulo em meia esquadria vertical e regule-o exatamente para a indicação 0°.
4. Volte a apertar bem o parafuso de fixação à mão. Nessa ocasião, segure o ponteiro exatamente na indicação 0°.
5. Se necessário, repita o passo para o segundo ponteiro do ângulo em meia esquadria vertical.
6. Verifique se coincidem o ângulo em meia esquadria vertical efectivo e dos dois ponteiros para os ângulos 45° à direita e 45° à esquerda.
 - ▶ Se, na verificação, num ou vários pontos, um ponteiro não coincidir com o ângulo efectivo e não se deixar ajustar o suficiente, entre em contacto com o Centro de Assistência Técnica **Hilti**.

7.4.3 Verificar o ângulo em meia esquadria horizontal

1. Empurre a cabeça da serra para trás, até ao batente (afastando-a de si).
2. Ajuste a placa de batente do limitador de profundidade de modo a que o limitador de profundidade passe através da abertura ao baixar a cabeça da serra. → Página 87
3. Ajuste o ângulo em meia esquadria vertical para 0°.
4. Pressione a cabeça da serra para baixo e empurre o bloqueio de transporte para dentro, de modo a bloquear a cabeça da serra.
5. Ajuste o ângulo em meia esquadria horizontal para 0°.
6. Ajuste um goniómetro para 90°.
7. Coloque o goniómetro de forma plana sobre a bancada da serra e de forma rematada com o batente de meia esquadria.



8. Mova o goniómetro em direção à lâmina de serra.
 - ▶ O goniómetro deve estar rematado com a lâmina de serra em toda a linha.
9. Ajuste o ângulo em meia esquadria horizontal para 45° à direita.
10. Ajuste o goniómetro para 45° (em alternativa 135° para a medição do lado esquerdo).
11. Coloque o goniómetro de forma plana sobre a bancada da serra e de forma rematada com o batente de meia esquadria.
12. Mova o goniómetro em direção à lâmina de serra.
 - ▶ O goniómetro deve estar rematado com a lâmina de serra em toda a linha.
13. Repita os passos para o ângulo em meia esquadria horizontal 45° à esquerda.

Resultado 1 / 2

Em todas as três medições, o goniómetro está rematado com a lâmina de serra em toda a linha.

- ▶ A serra está corretamente ajustada.

Resultado 2 / 2

O goniómetro e a lâmina de serra não estão rematados em uma ou várias medições.

- ▶ Ajuste o ângulo em meia esquadria horizontal ou contacte o Centro de Assistência Técnica **Hilti**.
→ Página 94

7.4.4 Ajustar o ângulo em meia esquadria horizontal e a escala 20

1. Engate o prato rotativo na posição 0°.
2. Solte o punho de aperto do prato rotativo.
3. Solte os quatro parafusos de fixação da escala do ângulo em meia esquadria horizontal.
4. Ajuste um goniómetro para 90°.
5. Coloque o goniómetro de forma plana sobre a bancada da serra e de forma rematada com o batente de meia esquadria.
6. Mova o goniómetro em direção à lâmina de serra. Ajuste o prato rotativo inclusive a escala do ângulo em meia esquadria horizontal com base no goniómetro.
 - ▶ O goniómetro deve estar rematado com a lâmina de serra em toda a linha.
7. Aperte o punho de aperto do prato rotativo de modo a evitar um movimento do prato rotativo.
8. Aperte os quatro parafusos de fixação da escala do ângulo em meia esquadria horizontal.
9. Verifique os ângulos em meia esquadria horizontal 45° à direita e 45° à esquerda. → Página 93

Resultado 1 / 2

Nos ângulos de meia esquadria horizontais 45° à direita e 45° à esquerda, o goniómetro está rematado com a lâmina de serra em toda a linha.

- ▶ A serra está corretamente ajustada.

Resultado 2 / 2

O goniómetro e a lâmina de serra não estão rematados em uma ou várias medições.

- ▶ Dirija-se ao Centro de Assistência Técnica **Hilti**.

7.4.5 Ajustar o ponteiro do ângulo em meia esquadria horizontal 24

1. Verifique o ângulo em meia esquadria horizontal relativamente a precisão exacta. → Página 93
2. Se necessário, ajuste o ângulo em meia esquadria horizontal. → Página 94
3. Ajuste o ângulo em meia esquadria horizontal para 0°.
4. Solte o parafuso de fixação de um ponteiro do ângulo em meia esquadria horizontal e regule-o exatamente para a indicação 0°.
5. Volte a apertar bem o parafuso de fixação à mão. Nessa ocasião, segure o ponteiro exatamente na indicação 0°.
6. Se necessário, repita o passo para o segundo ponteiro do ângulo em meia esquadria horizontal.
7. Verifique se coincidem o ângulo em meia esquadria horizontal efectivo e dos dois ponteiros para os ângulos 45° à direita e 45° à esquerda.
 - ▶ Se, na verificação, num ou vários pontos, um ponteiro não coincidir com o ângulo efectivo e não se deixar ajustar o suficiente, entre em contacto com o Centro de Assistência Técnica **Hilti**.



7.5 Substituir o coletor de pó **22**

AVISO

Risco de ferimentos devido a deflector mal montado. Se um deflector for montado ao contrário, a lâmina de serra pode ser entalada. O deflector ou a lâmina de serra pode partir-se, sendo projectados fragmentos.

- ▶ Ao montar os deflectores, certifique-se de que são montados no sentido correto. A parte accionada por mola do deflector deve apontar para fora da lâmina de serra.

1. Solte os parafusos de fixação **(1)** de um lado e retire o deflector **(3)**.
2. Solte os parafusos de fixação do lado oposto e retire o segundo deflector e o coletor de pó **(2)**.
3. Coloque o novo coletor de pó **(2)** e um deflector **(3)**.
 - ▶ Preste atenção ao correcto posicionamento do deflector.
4. Aparafuse as duas partes com os parafusos de fixação.
5. Aperte o segundo deflector e o coletor de pó no lado oposto.
 - ▶ Preste atenção ao correcto posicionamento do deflector.
 - ▶ Verifique se o coletor de pó e os dois deflectores estão bem fixos.

7.6 Mudar as placas ranhuradas **23**

As placas ranhuradas estão ajustadas de fábrica de forma a não entrarem em contacto com a lâmina de serra. No entanto, as placas ranhuradas estão sujeitas a um determinado desgaste. A **Hilti** disponibiliza as placas ranhuradas como peças sobresselentes. Podem ser mudadas pelo utilizador de forma rápida e sem complicações.

1. Abra todos os parafusos de fixação das placas ranhuradas e elimine as placas ranhuradas desgastadas.
2. Coloque placas ranhuradas novas.
3. Enrosque os parafusos de fixação sem os apertar, de modo a que as placas ranhuradas ainda possam ser movidas.
4. Ajuste a posição das placas ranhuradas de modo a que não possam entrar em contacto com a lâmina de serra.
 - ▶ Verifique principalmente os ângulos em meia esquadria vertical máximos, à direita e esquerda.
 - ▶ Verifique também todos os outros ângulos em meia esquadria horizontais e verticais.
5. Depois de efetuado o ajuste, aperte bem todos os parafusos de fixação à mão.

8 Transporte e armazenamento de ferramentas a bateria e baterias **24, 25**

Transporte da serra de chanfros em meia esquadria

Execute os seguintes passos antes de transportar a serra:

- ▶ Empurre a cabeça da serra para trás, até ao batente (afastando-a de si).
- ▶ Bloqueeie a saída. → Página 87
- ▶ Ajuste a placa de batente do limitador de profundidade de modo a que o limitador de profundidade passe através da abertura ao baixar a cabeça da serra. → Página 87
- ▶ Ajuste o ângulo em meia esquadria vertical para 0°.
- ▶ Pressione a cabeça da serra para baixo e empurre o bloqueio de transporte para dentro, de modo a bloquear a cabeça da serra.
- ▶ Se necessário, empurre os apoios adicionais totalmente para dentro. → Página 87
- ▶ Ajuste o ângulo em meia esquadria horizontal para a direita, até ao batente (60°) e engate o prato rotativo.
- ▶ Retire todos os acessórios (p. ex., sargento) que não possam ser montados de modo fixo na serra.
- ▶ Se necessário, desmonte o punho de aperto e prenda-o num dos suportes, no lado de trás do batente de meia esquadria superior.

Pegue na serra apenas nos locais previstos para o efeito:

- Cavidades de punho por baixo dos apoios adicionais **(1)**
- Cavidade do punho na zona de trás, ao lado do sistema de remoção de pó **(2)**
- Punho na cabeça da serra **(3)**

Transporte de baterias

CUIDADO

Arranque inadvertido durante o transporte !

- ▶ Transporte os seus produtos sempre sem as baterias colocadas!



- ▶ Retire a/as bateria(s).
- ▶ Nunca transporte as baterias sem embalagem. Durante o transporte, as baterias devem ser protegidas contra impactos e vibrações excessivos e isoladas de quaisquer materiais condutores ou outras baterias, para que não entrem em contacto com os pólos de outras baterias e causem um curto-circuito. **Observe as suas normas de transporte locais para baterias.**
- ▶ As baterias não devem ser enviadas por correio. Quando pretender enviar baterias não danificadas, contacte uma empresa transportadora.
- ▶ Verifique o produto e as baterias quanto a danos antes de cada utilização, bem como antes e depois de longos períodos de transporte.

Armazenamento



AVISO

Dano acidental devido a baterias com defeito ou a perderem líquido !

- ▶ Armazene os seus produtos sempre sem as baterias colocadas!
-
- ▶ Guarde o produto e as baterias em lugar fresco e seco. Tenha em atenção os valores limite de temperatura, que estão indicados nas Características técnicas.
 - ▶ Não guarde as baterias no carregador. Após o processo de carregamento, retire sempre a bateria do carregador.
 - ▶ Nunca armazene as baterias em locais sujeitos a exposição solar, em cima de fontes de calor ou por trás de um vidro.
 - ▶ Guarde o produto e as baterias fora do alcance das crianças e das pessoas não autorizadas.
 - ▶ Verifique o produto e as baterias quanto a danos antes de cada utilização, bem como antes e depois de longos períodos de armazenamento.

9 Ajuda em caso de avarias

Sempre que ocorra uma avaria, observe a indicação de estado da bateria. Consultar capítulo **Indicações da bateria de íões de lítio**.

No caso de avarias que não sejam mencionadas nesta tabela ou se não conseguir resolvê-las por si mesmo, contacte o nosso Centro de Assistência Técnica **Hilti**.

Avaria	Causa possível	Solução
A velocidade diminui repentinamente de forma considerável.	Bateria descarregada. Força de avanço excessiva.	▶ Carregue a bateria. ▶ Reduza a força de avanço e volte a ligar o produto.
Lâmina de serra pára.	Força de avanço excessiva.	▶ Reduza a força de avanço e volte a ligar o produto.
Sem função de travagem do motor.	Bateria descarregada.	▶ Carregue a bateria.
Os ângulos de corte são imprecisos.	A precisão do ângulo, as escalas ou os ponteiros estão desajustados.	▶ Verifique e ajuste os ajustes e indicações. → Página 92 ▶ Se não conseguir efetuar um ajuste você mesmo ou se a precisão da serra divergir demasiado, entre em contacto com o Centro de Assistência Técnica Hilti .
Os LEDs da bateria não indicam nada	Bateria avariada	▶ Dirija-se ao Centro de Assistência Técnica Hilti .




10 Reciclagem

AVISO

Perigo de ferimentos devido a eliminação incorrecta! Riscos para a saúde devido à fuga de gases ou líquidos.

- ▶ Não envie quaisquer baterias danificadas!
 - ▶ Para evitar curto-circuitos, cubra as conexões com um material não condutor.
 - ▶ Elimine as baterias de modo a mantê-las longe do alcance das crianças.
 - ▶ Efectue a reciclagem da bateria na sua **Hilti Store** ou entre em contacto com a empresa de recolha de lixo responsável.
-

 Os produtos **Hilti** são, em grande parte, fabricados com materiais recicláveis. Um pré-requisito para a reciclagem é que esses materiais sejam devidamente separados. Em muitos países, a **Hilti** aceita o seu aparelho usado para reaproveitamento. Para mais informações, dirija-se ao Serviço de Clientes **Hilti** ou ao seu vendedor.



- ▶ Não deite as ferramentas eléctricas, aparelhos electrónicos e baterias no lixo doméstico!
-

11 Garantia do fabricante

- ▶ Se tiver dúvidas em relação às condições de garantia, contacte o seu parceiro **Hilti** local.

12 Mais informações

Pode consultar informações mais pormenorizadas sobre Utilização, Tecnologia, Meio ambiente e Reciclagem na seguinte hiperligação: qr.hilti.com/manual/?id=2395173

Também pode encontrar esta hiperligação no final do manual de instruções sob a forma de código QR.





 **NURON**



B 22-55 (01)	0,56 kg	1.23 lb
B 22-85 (01)	0,77 kg	1.70 lb
B 22-110 (01)	0,92 kg	2.03 lb
B 22-170 (01)	1,34 kg	2.95 lb
B 22-255 (01)	1,87 kg	4.12 lb

C 4-22
C 6-22
C 8-22





Hilti Corporation
LI-9494 Schaan
Tel.:+423 234 21 11
Fax:+423 234 29 65
www.hilti.com



2395173